

SC1500 Digital Controller



Confidence in Your Water Quality Analysis. Anytime. Anywhere.

Hach® SC1500 Multi-parameter Universal Controller is a state-of-the-art modular transmitter system. The SC1500 enables communication for Mobile Sensor Management (MSM) solution. Mobile Sensor Management provides clarity through easy access to crucial information, helping you manage your process and be proactive in your maintenance.

Data Access from Anywhere

Get easy access to crucial information, helping you manage your process and be proactive in your maintenance. Anytime. Anywhere.

Guidance through Actionable Sensor Information

Focus on your highest priorities, avoid unexpected downtime and reduce maintenance cost with access to actionable information and proactive notifications about maintenance needs.

Alignment of Process and Laboratory Measurements

Verify and adjust process instrument measurements using laboratory reference values with the tap of a finger.

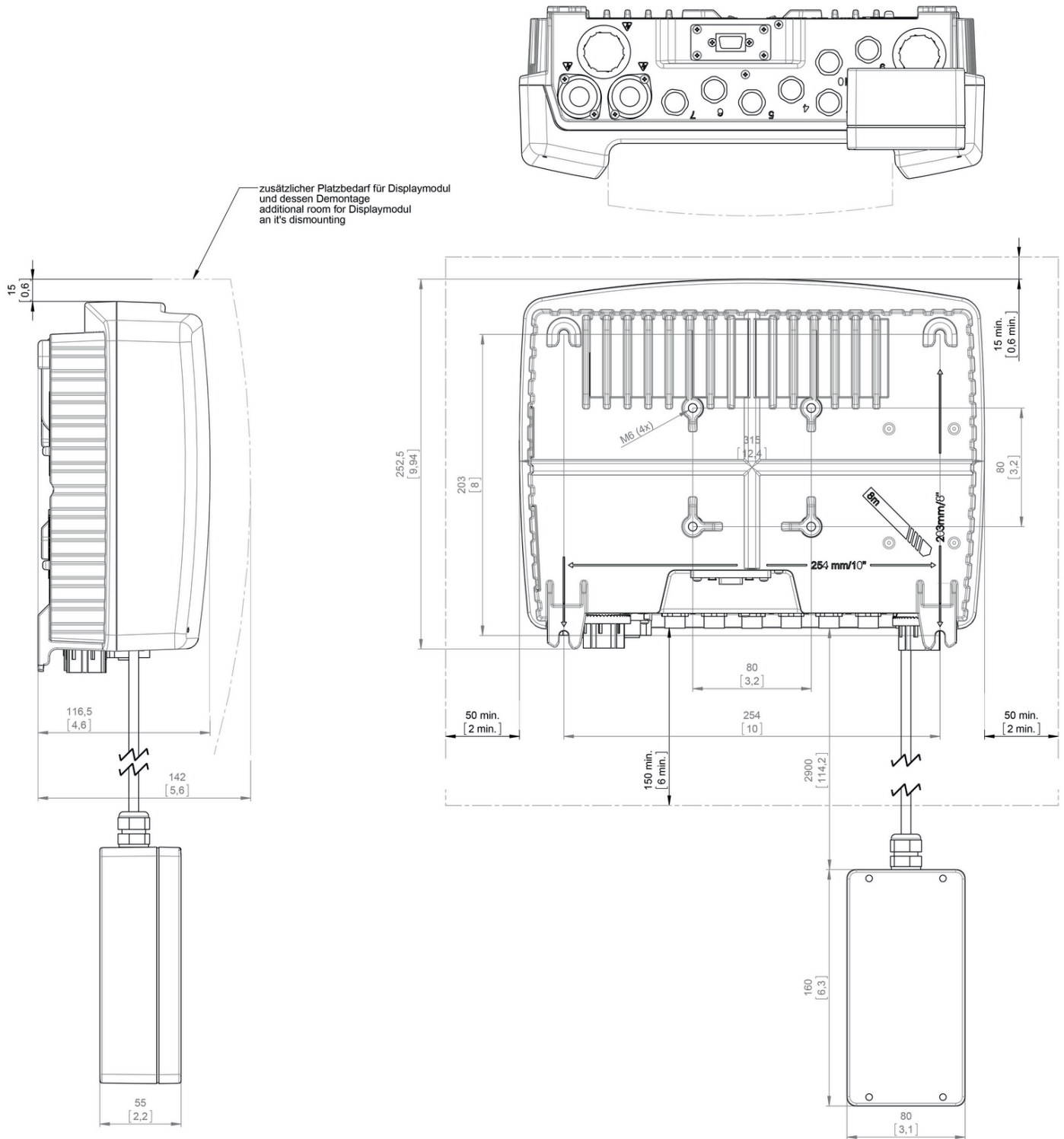


Technical Data*

Altitude	2000 m (6561 ft)
Analog Outputs	Four 4-20 mA analogue outputs on each analogue output card, 500 Ω maximum Wire gauge: 1.5 mm ² (15 AWG) maximum
Certifications	cTUVus compliant, CE compliant, DIN EN 61326 surge protection
Dimensions	Controller: 315 x 120 x 242 mm (12.28 x 4.68 x 9.5 in.) USB box: 79.5 x 55.1 x 159.5 mm (3.13 x 2.17 x 6.28 in.)
Fuse	F1 and F2: M 3.5 A L, 250 V or T 3.15 A L, 250 V; F3 and F4: T 8 A H, 250 V
Material Enclosures	Controller: Metal with corrosion-resistant surface, NEMA 4X/IP65 rating USB box: ABS/polycarbonate, NEMA 4X/IP65 rating
Network Connectivity	Two Ethernet connectors (10/100 Mbps), switch function, M12 female D-coding connector One USB connector in a USB box
Operating Conditions	-20 - 55 °C (-4 - 131 °F), 95% relative humidity (non condensing)
Pollution Degree	2
Power Supply	100 - 240 VAC ±10 VAC, 50/60 Hz, 1000 VA maximum
Protection Class	I
Relays	Four relays on each relay card, change over contacts (SPDT) Maximum switching voltage: 250 VAC, 125 VDC Maximum switching current: 5 A Maximum switching power: 1500 VA, 250 VAC; 625 W, 125 VDC Wire gauge: 1.5 mm ² (15 AWG) maximum
Sensor	Two, four or six device connectors and two AC power outlets
Storage Conditions	-20 - 70 °C (-4 - 158 °F)
Weight	Approximately 5 kg (11 lbs), depending on configuration
Communication Capabilities	Profibus, Modbus TCP/IP

*Subject to change without notice.

Dimensions



Order Information

Controllers

LXV446.99.103N1	SC1500 Controller, 6 sensor connectors, 8 mA out contacts, 110 V AC, USB Modem box
LXV446.99.1R3S1	SC1500 Controller, 6 sensor connectors, 8 mA out contacts, 4 relay contacts, 110 V AC, USB Modem box
LXV446.99.101M1	SC1500 Controller, 4 sensor connectors, 4 mA out contacts, 110 V AC, USB Modem box
LXV446.99.103M1	SC1500 Controller, 4 sensor connectors, 8 mA out contacts, 110 V AC, USB Modem box
LXV446.99.108M1	SC1500 Controller, 4 sensor connectors, 12 mA out contacts, 110 V AC, USB Modem box
LXV446.99.1R1M1	SC1500 Controller, 4 sensor connectors, 4 mA out contacts, 4 relay contacts, 110 V AC, USB Modem box

Note: Additional configurations are available. Please contact your local Hach representative.

Accessories

LZY971	GSM MSM modem for SC1500, DR3900, DR6000 (AT&T, T-Mobile, Rogers, Bell)
LZY995	CDMA MSM modem for SC1500, DR3900, DR6000 (Verizon)
LZY990	Network cable for LAN connection, M12 to RJ45
LZY996	WiFi USB Adapter 2.4/5 GHz (US) for SC1500, DR3900/DR6000
YAB105	SC1000/SC1500 Internal Profibus DP Card
YAB018	SC1000/SC1500 Internal 0/4-20 mA Analog Input Card
YAB019	SC1000/SC1500 Internal 0/4-20 mA Analog Output Card
LZY431	Power extension cable for SC1000/SC1500, 5 m, 115 - 230 V AC
YAB192	Impedance Adapterboard for Amtax sc and Phosphax sc on SC1500

Be confident with Hach Service

Start-Up/Commissioning: Our service technicians visit your site and setup instrumentation, provide basic end-user training on operations and maintenance, and validate settings and performance to get you started.

Service Agreement: Hach provides on-site and in-factory repair, preventive maintenance, and calibration programs for your instruments to ensure reliability and instrument up-time. We have services to fit your specific needs.

Hach World Headquarters: Loveland, Colorado USA

United States: 800-227-4224 tel 970-669-2932 fax orders@hach.com

Outside United States: 970-669-3050 tel 970-461-3939 fax int@hach.com

hach.com

Printed in U.S.A.

©Hach Company, 2018. All rights reserved.

In the interest of improving and updating its equipment, Hach Company reserves the right to alter specifications to equipment at any time.



Be Right™