



## SERIES DM | DIGIMAG® DIFFERENTIAL PRESSURE TRANSMITTER



### BENEFITS/FEATURES

- Reduced installation time through zero and span controls that provides quick and easy calibration
- Fast and easy setup and calibration with push-button zero and span controls
- Immediate corrective action can be taken by local alerts via the easy-to-read LCD display
- Reduces upgrade installation costs and simplifies field upgrade from a Magnehelic® gage, as both use the same diameter cutout

### APPLICATIONS

- Differential pressure across filters
- Fan control
- Static pressures in ducts or buildings
- Room pressurization monitoring

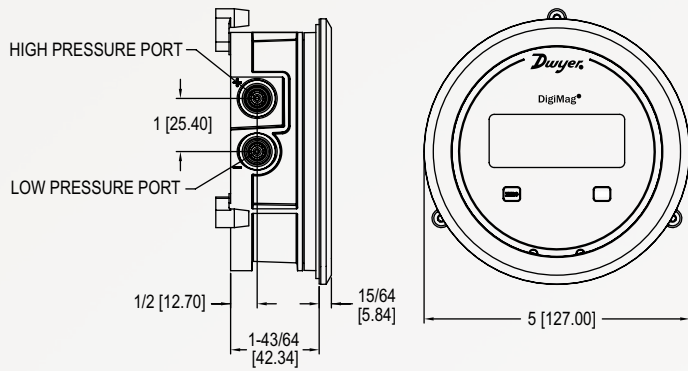
### DESCRIPTION

The Series DM DigiMag® Differential Pressure Transmitter senses the pressure of air and compatible gases and sends a standard 4-20 mA output signal. The DM housing is specifically designed to mount in the same diameter cutout as a standard Magnehelic® gage. A wide range of models are available factory calibrated to specific ranges. The polycarbonate molded housing features integral pressure connections, which reduces installation time. Digital push-button zero and span simplify calibration over typical turn-potentiometers. A single push-button allows field selection of 4 to 6 engineering units, depending on the range.

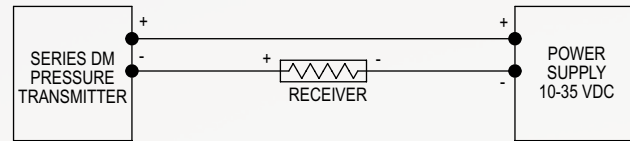
### SPECIFICATIONS

<b>Service</b>	Air and non-combustible, compatible gases.
<b>Wetted Materials</b>	Consult factory.
<b>Housing Material</b>	Polycarbonate.
<b>Accuracy</b>	±1% FSO for all ranges except 0.25 in w.c. @ ±2% FSO, and ranges at or below ±0.1 in w.c. @ ±4% FSO.
<b>Stability</b>	< ±1%/year FSO.
<b>Pressure Limits</b>	Ranges > 1 in w.c.: 6 psi max operation, 6 psi burst; Ranges ≤ 1 in w.c.: 3.6 psi max operation, 6 psi burst.
<b>Temperature Limits</b>	-4 to 158°F (-20 to 70°C).
<b>Thermal Effect</b>	0.036% FS/°C (0.02% FS/°F).
<b>Power Requirements</b>	10-35 VDC (2-wire).
<b>Output Signal</b>	4-20 mA (2-wire).
<b>Zero and Span Adjustments</b>	Push-button.
<b>Loop Resistance</b>	0 to 1250 Ω max.
<b>Current Consumption</b>	21 mA max.
<b>Electrical Connections</b>	Screw-type terminals.
<b>Process Connections</b>	Male ports on side for 1/8", 3/16", 1/4", 5 mm, 6 mm ID flexible tubing.
<b>Enclosure Rating</b>	NEMA 4X (IP66).
<b>Mounting Orientation</b>	Not sensitive to position.
<b>Size</b>	5" OD (127 mm) x 1.9" (48 mm) deep.
<b>Weight</b>	7.04 oz (200 g).
<b>Agency Approvals</b>	CE.

## DIMENSIONS



## WIRING DIAGRAM



## HOW TO ORDER

Use the **bold** characters from the chart below to construct a product code.

	<b>DM</b>	<b>-202</b>	<b>-NIST</b>	
<b>SERIES</b>				<b>OPTIONS</b>
<b>DM:</b> DigiMag® differential pressure transmitter				<b>-FC:</b> Factory calibration certificate
				<b>-NIST:</b> NIST traceable calibration certificate
				<b>-SS:</b> 304 brushed SS bezel
<b>ACCURACY</b>				
<b>001:</b> 0.1 in w.c.				
<b>002:</b> 0.25 in w.c.				
<b>003:</b> 0.5 in w.c.				
<b>004:</b> 1 in w.c.				
<b>005:</b> 2 in w.c.				
<b>007:</b> 3 in w.c.				
<b>008:</b> 5 in w.c.				
<b>019:</b> -0.05-0-0.20 in w.c.				
<b>201:</b> ±0.1 in w.c.				
<b>202:</b> ±0.25 in w.c.				
<b>203:</b> ±0.5 in w.c.				
<b>052:</b> 30 Pa				
<b>053:</b> 60 Pa				
<b>056:</b> 250 Pa				
<b>059:</b> 1250 Pa				
<b>252:</b> ±30 Pa				
<b>253:</b> ±60 Pa				
<b>256:</b> ±250 Pa				
<b>259:</b> ±1250 Pa				
<b>082:</b> 6 mm w.c.				
<b>282:</b> ±6 mm w.c.				

**ORDER ONLINE TODAY!**

[dwyer-inst.com/Product/SeriesDM](http://dwyer-inst.com/Product/SeriesDM)



**DWYER INSTRUMENTS, INC.**

©Copyright 2021 Dwyer Instruments, Inc.  
Printed in U.S.A. 9/21

DS-DM

Important Notice: Dwyer Instruments, Inc. reserves the right to make changes to or discontinue any product or service identified in this publication without notice. Dwyer advises its customers to obtain the latest version of the relevant information to verify, before placing any orders, that the information being relied upon is current.