



FLO-DAR® AV Sensor



Applications

- Wastewater
- Collection Systems
- Industrial Water

The FLO-DAR® AV Sensor provides an ideal solution for non-contact, maintenance-free portable or permanent sewer flow monitoring.

The FLO-DAR AV Sensor provides a revolutionary approach to open channel flow monitoring. It combines advanced Digital Doppler Radar velocity sensing technology with ultrasonic pulse echo depth sensing to remotely measure open channel flow. Use with the FL900 Series Flow Loggers (wireless or standard) for portable monitoring. For permanent power application sites the FLO-DAR can be connected to the FL1500 Series Flow Monitor. Intrinsically safe models are available.

Accurate Flow Measurement

FLO-DAR provides the user with highly accurate flow measurements under a wide range of flows and site conditions. By measuring the velocity of the fluid from above, FLO-DAR eliminates accuracy problems inherent with submerged sensors including sensor disturbances, high solids content and distribution of reflectors.

Non-Contact Sensor Eliminates Lost Data

No lost data with non-contact, above the flow sensor that is unaffected by fouling due to debris and grease.

Easy Installation and Maintenance

As the sensor is mounted above the flow, personnel have little or no contact with the flow during installation. Future sensor removal and replacement can be done without the need for confined space entry.

Independent Accuracy / Long-Term Stability Verification

FLO-DAR sensor accuracy and long-term stability (up to 3 years without need for site calibration) from low flow depths up to surcharge conditions has been independently

verified many times over the years including a formal evaluation by the Alden Research Laboratory, Inc. and recent field evaluations done by municipalities and consulting engineering firms.

Perfect Solution for Difficult Flow Conditions

Operates in the most difficult conditions including flows with high solids content, high temperature, shallow and caustic flows, large man-made channels, and high velocities up to 20 ft/s.

Optional Surcharge Velocity Sensor (SVS)

During surcharge events FLO-DAR's optional SVS electromagnetic sensor will continue to provide uninterrupted and accurate flow monitoring through dry and wet weather flows without the need for routine sensor cleaning or maintenance.





Specifications*

FLO-DAR AV Sensor

Enclosure	IP68 Waterproof rating, Polystyrene
Dimensions	160.5 W x 432.2 L x 297 D mm (6.32 x 16.66 x 11.7 in.), with SVS, D = 387 mm (15.2 in.)
Weight	4.8 kg (10.5 lbs.)
Operating Temperature	-10 to 50°C (14 to 122°F)
Storage Temperature	-40 to 60°C (-40 to 140°F)
Power Requirements	Supplied by FL900 Flow Logger, FL1500 Flow Logger
Warranty	1 year

Interconnecting Cable

Polyurethane, 0.400 (±0.015) in. diameter; IP68 Standard length 9M (30 ft), maximum 305 m (1000 ft)

Cables are available in two styles:

- connectors both ends
- connector from sensor with open leads to desiccant hub, desiccant hub with connector to logger. A potting/sealant kit will be included. This can be used to run the cable through conduit.

If using FLO-DAR cable with FL1500, the cable will have bare leads to the FL1500 (30 to 1000 ft. lengths) and there will be no desiccant hub, as the air tube terminates inside of the FL1500 housing. It is important you attach an external desiccant to the FL1500 (Prod. No. 8321200)

Set-up/Data Retrieval

FSDATA® Desktop software is used for set-up, data management, and report generation. It is compatible with desktop/laptop computers utilizing Windows operating system.

Certification

FLO-DAR Sensor Model Numbers: 890004801, 890004901, 890004804, 890005201, 890004807, and 890005204
Frequency: 24.10GHz to 24.15GHz
Category: Field Disturbance Sensor
Output Field Strength: < 2.5 V/m (128dBuV/m) @ 3m, measured per following standards
Certified to FCC Part 15.245: FCC ID: VIC-FLODAR24
Certified to Industry Canada Spec. RSS210. V7: IC No.: 6149A-FLODAR24

FLO-DAR Sensor Model Numbers: 890004802, 890004902, 890004805, 890005202, 890004808, and 890005205
Frequency: 24.16GHz to 24.19GHz
Category: Short Range Device Output Power (EIRP): < 10mW (10dBm) @ 3m, measured per the following standard
Certified to ETSI EN 300 440-1 V1.6.1 (2010-08)

Use of this device is subject to the following conditions:

1. There are no user serviceable items inside this device.
2. The user must install this device in accordance with the supplied installation instructions and must not modify the device in any manner whatsoever.
3. Any repair service involving the sensor must only be performed by Hach, facilitated through Hach's Flow Solutions by McCrometer.
4. The user must ensure that no one is within 20 cm of the face of the transmitter when operating.

Surcharge Depth Measurement

Auto zero function maintains zero error below 0.5 cm (0.2 in.)

Method	Piezo-resistive pressure transducer with stainless steel diaphragm
Range	3.5 m (138 in.), overpressure rating 2.5 x full scale

Velocity Measurement

Method	Radar
Range	0.23 to 6.10 m/s (0.75 to 20 ft/s)
Accuracy	±0.5%; ±0.03 m/s (±0.1 ft/s)

Depth Measurement

Method	Ultrasonic
Standard Operating Range from FLO-DAR Housing to Liquid	0 to 152.4 cm (0 to 60 in.)
Accuracy	±1%; ±0.25 cm (±0.1 in.)

Flow Measurement

Method	Based on Continuity Equation
Accuracy	±5% of reading typical where flow is in a channel with uniform flow conditions and is not surcharged, ±1% full scale max.

Continued on next page.

Specifications* (continued)

Surcharge Conditions Depth/Velocity

DEPTH (Std with FLO-DAR Sensor)

Surcharge depth supplied by FLO-DAR sensor.

VELOCITY (Optional Surcharge Velocity Sensor)

Method	Electromagnetic
Range	±4.8 m/s (±16 ft/s)
Accuracy	±0.15 ft/s or 4% of reading, whichever is greater.
Zero Stability, Typical	> ±0.05 ft/s

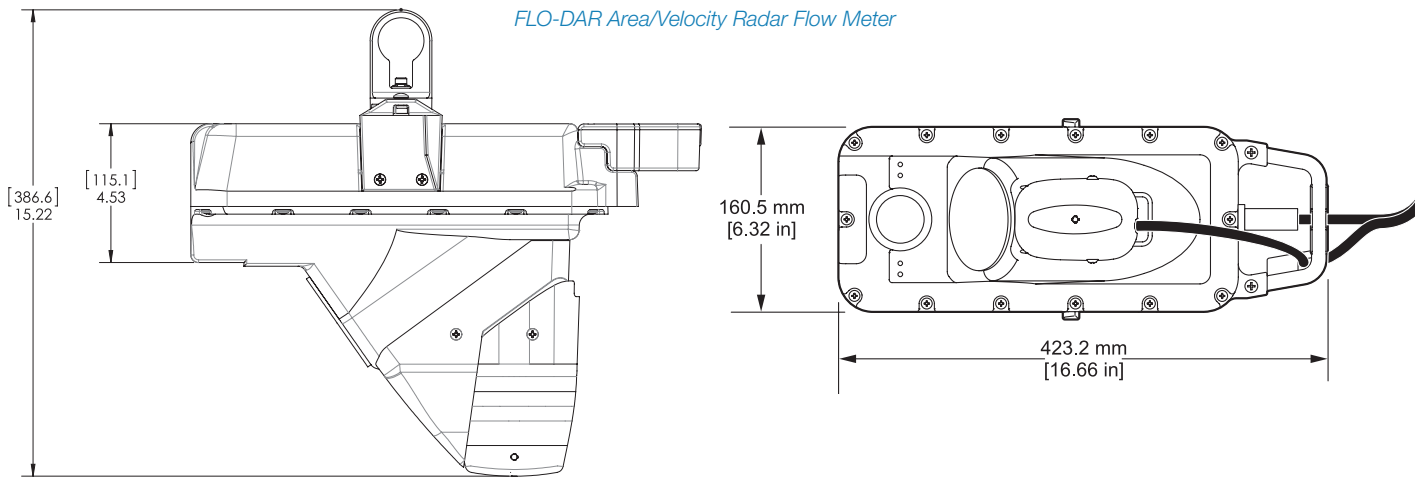
Certification Intrinsically Safe (Optional)

The optional FLO-DAR with a Surcharge Velocity Sensor (SVS) are certified to Class I, Zone 1 Standards. They conform to ANSI/UL 60079-11 and are certified to CAN/CSA E60079-11 and EN 60079-11 standards.

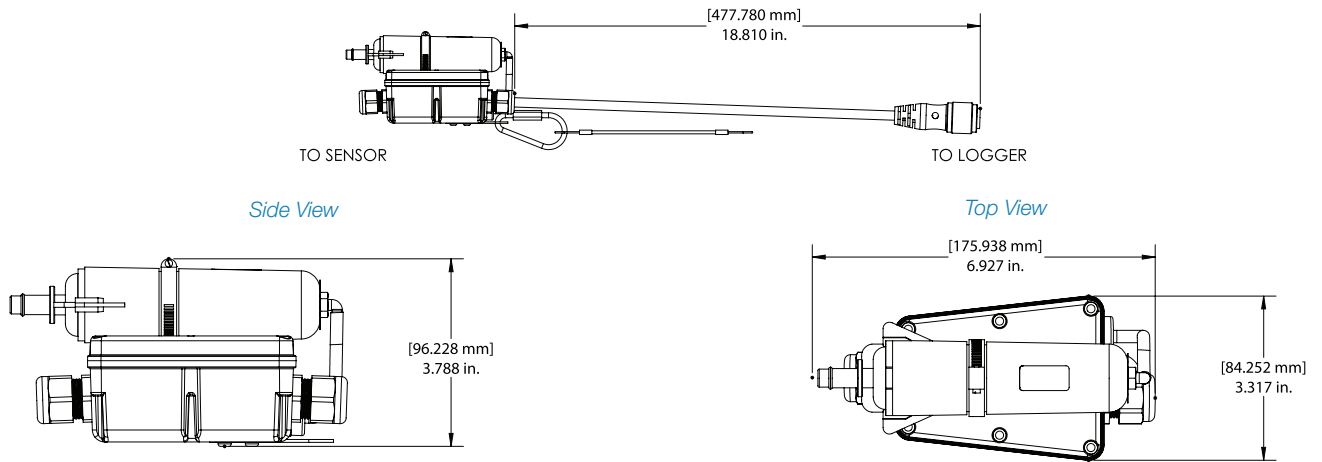
The FLO-DAR sensor meets CE requirements.

**Subject to change without notice.*

Dimensions



The desiccant hub assembly includes a junction box to connect sensor cable to the desiccant and subsequently to the FL900 Logger. The desiccant can easily be replaced without need to purchase a separate desiccant module.



*Desiccant Hub Assemblies for use with portable FL900 Series Loggers.
(Sensor cable for use with FL1500 will not contain a desiccant hub and will have bare wires on cable end.
Order Prod. No. 8321200 for desiccant cartridge to attach to FL1500.)*

Ordering Information

Configure FLO-DAR Sensor to FL900 (Portable)

FLO-DAR Sensor	Model 4000	-	4	X	X
FLO-DAR Sensor with specified cable length (need to add cable as separate line item)			4		
Non Intrinsically Safe Surcharge Velocity Sensor Option (IMPORTANT NOTE: SVS cable length MUST MATCH FLO-DAR Sensor Cable length)				0 3	
0-60 Inch Range					0

Configure FLO-DAR Sensor to FL1500 (Permanent)

FLO-DAR Sensor	Model 4000	-	9	X	X
FLO-DAR Sensor with specified cable length (need to add cable as separate line item)			9		
Non Intrinsically Safe Surcharge Velocity Sensor Option (IMPORTANT NOTE: SVS cable length MUST MATCH FLO-DAR Sensor Cable length)				0 3	
0-60 Inch Range					0

Cables

- FD9000CBL-XXX*** FL900 Series Logger to FLO-DAR sensor. Cable w/two connectors.
- FDJCTBOXCBL-XXX*** FL900 Series Logger to FLO-DAR sensor. Cable with connector to sensor, open end to desiccant hub, desiccant hub with connector to sensor. Includes finishing kit for potting/sealing desiccant hub. For use with conduit.
- 6000062XX*** SVS Sensor with connector for use with FL900 Series Logger.
- 570011800-XXX*** FL1500 to FLO-DAR sensor cable with one connector and bare leads.
- 6000059XX*** SVS Sensor with bare leads for use with FL1500.

*Contact customer service for product numbers.

Available Cable Lengths (in feet)

30	125	225	400	700
60	150	250	450	800
75	175	300	500	900
100	200	350	600	1000

Mounting Hardware

- 800016701** Permanent Sensor Mount-Includes sensor frame & all mounting hardware. Portable Sensor Mounts Available (Sizes 34-107") Contact Sales.

Accessories & Spares

- 245000501** Sensor Retrieval Pole - Used to place and retrieve sensor from mounting bracket. Pole extends to 7.3 m (21 ft.)
- 510012701** Sensor Retrieval Hook - Used with Sensor Retrieval Pole
- 570011401** Grounding Strap (required with Retrieval Pole and Hook when used with IS units)
- 8755500** Bulk desiccant beads (1.5 pounds)
- 8321200** Desiccant for FL1500

For additional information on products mentioned in this data sheet, request the following data sheets:

- FL900 Series Flow Logger (DOC053.53.35081)
- FL1500 Series Flow Logger (DOC053.53.30400)



McCrometer, Inc.
3255 West Stetson Avenue
Hemet, CA 92545 USA

Tel: 951-652-6811
800-220-2279
Fax: 951-652-3078

customerservice@mccrometer.com
www.mccrometer.com