



DOC022.97.90639

DR300

09/2021, Edition 5

User Manual
Manual de usuario
Manuel d'utilisation
Manual do Usuário
用戶手冊
使用手冊
ユーザーマニュアル
사용 설명서
ရှ်းမိဝ်းပုံစံ

Table of Contents

| | |
|-----------------|-----|
| English | 3 |
| Español | 25 |
| Français | 49 |
| Português | 74 |
| 中文 | 97 |
| 繁體中文 | 116 |
| 日本語 | 136 |
| 한국어 | 158 |
| ไทย | 180 |

Table of Contents

- | | |
|---|---|
| 1 Specifications on page 3 | 7 Show measurements on page 15 |
| 2 General information on page 4 | 8 Calibration on page 15 |
| 3 Install the batteries on page 7 | 9 Maintenance on page 20 |
| 4 User interface and navigation on page 8 | 10 Troubleshooting on page 21 |
| 5 Set the time on page 10 | 11 Replacement parts and accessories on page 24 |
| 6 Do a test on page 11 | |

Section 1 Specifications

Specifications are subject to change without notice.

| Specification | Details |
|------------------------|---|
| Dimensions (W x H x D) | 6.9 x 15.7 x 3.4 cm (2.7 x 6.2 x 1.3 in.) |
| Enclosure | IP67, waterproof at 1 m (3.3 ft) for 30 minutes when battery compartment is closed and locked. |
| Light source | Light emitting diode (LED) |
| Detector | Silicon photodiode |
| Display | LCD with backlight |
| Weight | 0.25 kg (0.55 lb) |
| Power requirements | 4 AAA batteries; approximate life of 5000 tests (use of backlight decreases this number) Rechargeable batteries are not recommended. |
| Operating environment | 0 to 50 °C (32 to 122 °F), 0 to 90% relative humidity non-condensing |
| Storage temperature | -20 to 55 °C (-4 to 131 °F), 0 to 80% relative humidity non-condensing |
| Wavelength | Fixed wavelength ± 2 nm, different for each model |
| Filter bandwidth | 15 nm |
| Absorbance range | 0 to 2.5 Abs |
| Sample cell | 25 mm (10 mL) and 1 cm (10 mL) |
| Data storage | Last 50 measurements |

| Specification | Details |
|-------------------------|--|
| Bluetooth® ¹ | Bluetooth® is on when the optional Hach Communication Dongle is installed. |
| Certifications | CE |
| Warranty | 1 year (EU: 2 years) |

Section 2 General information

In no event will the manufacturer be liable for direct, indirect, special, incidental or consequential damages resulting from any defect or omission in this manual. The manufacturer reserves the right to make changes in this manual and the products it describes at any time, without notice or obligation. Revised editions are found on the manufacturer's website.

2.1 Safety information

The manufacturer is not responsible for any damages due to misapplication or misuse of this product including, without limitation, direct, incidental and consequential damages, and disclaims such damages to the full extent permitted under applicable law. The user is solely responsible to identify critical application risks and install appropriate mechanisms to protect processes during a possible equipment malfunction.

Please read this entire manual before unpacking, setting up or operating this equipment. Pay attention to all danger and caution statements. Failure to do so could result in serious injury to the operator or damage to the equipment.

Make sure that the protection provided by this equipment is not impaired. Do not use or install this equipment in any manner other than that specified in this manual.

¹ The Bluetooth® word mark and logos are registered trademarks owned by the Bluetooth SIG, Inc. and any use of such marks by HACH is under license.

2.1.1 Use of hazard information

⚠ DANGER

Indicates a potentially or imminently hazardous situation which, if not avoided, will result in death or serious injury.

⚠ WARNING

Indicates a potentially or imminently hazardous situation which, if not avoided, could result in death or serious injury.

⚠ CAUTION



Indicates a potentially hazardous situation that may result in minor or moderate injury.

NOTICE

Indicates a situation which, if not avoided, may cause damage to the instrument. Information that requires special emphasis.

2.1.2 Precautionary labels

Read all labels and tags attached to the instrument. Personal injury or damage to the instrument could occur if not observed. A symbol on the instrument is referenced in the manual with a precautionary statement.

| | |
|---|---|
|  | This symbol, if noted on the instrument, references the instruction manual for operation and/or safety information. |
|  | Electrical equipment marked with this symbol may not be disposed of in European domestic or public disposal systems. Return old or end-of-life equipment to the manufacturer for disposal at no charge to the user. |

2.1.3 Certification

Canadian Radio Interference-Causing Equipment Regulation, ICES-003, Class B:

Supporting test records reside with the manufacturer.

This Class B digital apparatus meets all requirements of the Canadian Interference-Causing Equipment Regulations.

Cet appareil numérique de classe B répond à toutes les exigences de la réglementation canadienne sur les équipements provoquant des interférences.

FCC Part 15, Class "B" Limits

Supporting test records reside with the manufacturer. The device complies with Part 15 of the FCC Rules. Operation is subject to the following conditions:

1. The equipment may not cause harmful interference.
2. The equipment must accept any interference received, including interference that may cause undesired operation.

Changes or modifications to this equipment not expressly approved by the party responsible for compliance could void the user's authority to operate the equipment. This equipment has been tested and found to comply with the limits for a Class B digital device, pursuant to Part 15 of the FCC rules. These limits are designed to provide reasonable protection against harmful interference when the equipment is operated in a commercial environment. This equipment generates, uses and can radiate radio frequency energy and, if not installed and used in accordance with the instruction manual, may cause harmful interference to radio communications. Operation of this equipment in a residential area is likely to cause harmful interference, in which case the user will be required to correct the interference at their expense. The following techniques can be used to reduce interference problems:

1. Move the equipment away from the device receiving the interference.
2. Reposition the receiving antenna for the device receiving the interference.
3. Try combinations of the above.

2.2 Product overview

This instrument is a portable filter photometer used for testing water.

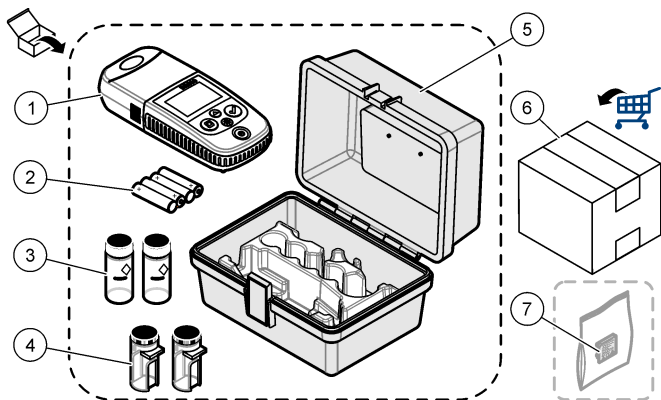
Note: This instrument has not been evaluated to measure chlorine and chloramines in medical applications in the United States.

2.3 Product components

Make sure that all components have been received. Refer to [Figure 1](#). If any items are missing or damaged, contact the manufacturer or a

sales representative immediately. [Figure 1](#) is an example and shows the parts supplied with LPV445.99.00110. Other instruments come with different components.

Figure 1 Product components



| | |
|---------------------------------------|---|
| 1 DR300 | 5 Storage case |
| 2 AAA alkaline batteries | 6 Reagents |
| 3 Sample cells, 25 mm (10 mL), glass | 7 Hach Communication Dongle (optional, supplied separately) |
| 4 Sample cells, 1 cm (10 mL), plastic | |

Section 3 Install the batteries

⚠ WARNING



Explosion hazard. Incorrect battery installation can cause the release of explosive gases. Be sure that the batteries are of the same approved chemical type and are inserted in the correct orientation. Do not mix new and used batteries.


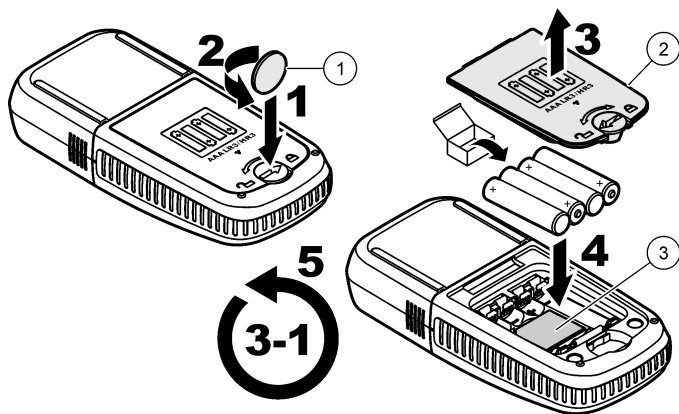
Refer to [Figure 2](#) to install the batteries. Then, push  to set the instrument to on.

Figure 2 Install the batteries



1 Coin

2 Battery cover

3 Plastic insert for dongle²

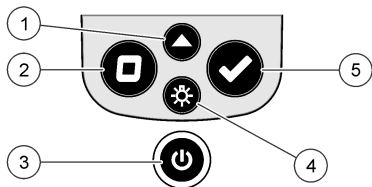
Section 4 User interface and navigation

4.1 Keypad description

Figure 3 shows the keypad and gives the key functions.

² Only remove the plastic insert to install the Hach Communication Dongle. Refer to the installation instructions supplied with the dongle.

Figure 3 Keypad

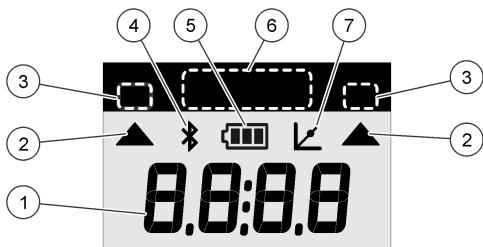


| | |
|---|---|
| <p>1 Range key: Selects the measurement range (e.g., LR or HR). Push and hold for 3 seconds to enter or exit menu mode. In menu mode, scrolls up or increases the value of the selected digit.</p> | <p>4 Backlight key: Sets the backlight to on and off. In menu mode, scrolls down or decreases the value of the selected digit.</p> |
| <p>2 Zero key: Sets the zero value before a measurement. In menu mode, goes back one menu level or moves the cursor to the previous digit.</p> | <p>5 Read key: Starts a sample measurement. In menu mode, selects the menu option shown or moves the cursor to the next digit.</p> |
| <p>3 Power key: Sets the power to on and off. Push and hold for 5 seconds to reset the instrument. The calibration is not deleted.</p> | |

4.2 Display description

Figure 4 shows the values and icons shown on the display.

Figure 4 Display



| | |
|---|---|
| 1 Numeric display: Measured value or menu options | 5 Battery icon: Battery power level. Flashes when the battery power level is low. |
| 2 Range icon: Points to the selected measurement range | 6 Parameter and measurement ranges |
| 3 Measurement ranges or parameters | 7 Calibration adjusted icon: The factory default calibration was adjusted or a user-entered calibration curve was entered. |
| 4 Bluetooth® icon: Bluetooth® is on ³ . | |

Section 5 Set the time

Set the time (24-hour format).

1. Push and hold ▲ for 3 seconds to enter menu mode.
The time shows (or 00:00).
2. Push ✓ to set the time.
3. Push the ▲ or ⚙ to change the number that flashes. Push ✓ to go to the next digit. Push ◀ to go to the previous digit.

³ Shows when the Hach Communication Dongle is installed.

Section 6 Do a test

▲ DANGER



Chemical or biological hazards. If this instrument is used to monitor a treatment process and/or chemical feed system for which there are regulatory limits and monitoring requirements related to public health, public safety, food or beverage manufacture or processing, it is the responsibility of the user of this instrument to know and abide by any applicable regulation and to have sufficient and appropriate mechanisms in place for compliance with applicable regulations in the event of malfunction of the instrument.

▲ DANGER



Chemical exposure hazard. Obey laboratory safety procedures and wear all of the personal protective equipment appropriate to the chemicals that are handled. Refer to the current safety data sheets (MSDS/SDS) for safety protocols.

▲ CAUTION



Chemical exposure hazard. Dispose of chemicals and wastes in accordance with local, regional and national regulations.

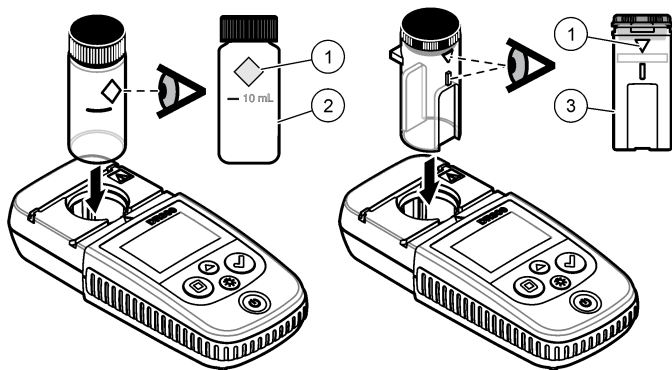
The generic steps to do a test follow.

To do a test for a specific parameter (e.g., chlorine), download the test procedure from the manufacturer's website. Refer to [Download a test procedure](#) on page 14.

1. Push ▲ to select the applicable measurement range (e.g., LR or HR).
2. Prepare the blank. Refer to the test procedure.
3. Clean the sample cell with a no-lint cloth.
4. Insert the blank sample cell into the cell holder. Make sure to install the blank sample cell in the correct and consistent orientation so that the results are more repeatable and precise. Refer to [Figure 5](#).
5. Install the instrument cap over the cell holder. Refer to [Figure 6](#).

6. Push **0** to set the instrument zero.
7. Remove the blank sample cell.
8. Prepare the sample. Refer to the test procedure.
9. Clean the sample cell with a no-lint cloth.
10. Insert the sample cell into the cell holder. Make sure to install the sample cell in the correct and consistent orientation so that the results are more repeatable and precise. Refer to [Figure 5](#).
11. Install the instrument cap over the cell holder. Refer to [Figure 6](#).
12. Push **✓**. The display shows the results in concentration units or absorbance.
Note: *The result flashes if the result is less or more than the instrument range.*
13. Remove the sample cell from the cell holder.
14. Immediately empty and rinse the sample cell. Rinse the sample cell and cap three times with deionized water (or distilled water).
Note: *As an alternative, use tap water to rinse the sample cell if the samples measured have a higher concentration than the tap water.*

Figure 5 Sample cell orientation



1 Orientation mark⁴

2 Sample cell, 25-mm
(10 mL), glass⁵

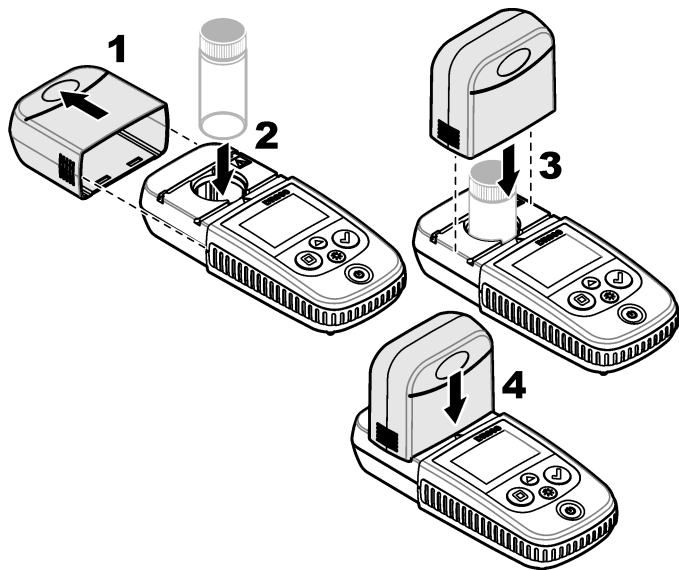
3 Sample cell, 1-cm
(10 mL), plastic⁶

⁴ Some variants of the instrument have sample cells without an orientation mark.

⁵ Use the glass sample cell for low-range chlorine tests.

⁶ Use the plastic sample cell for high-range chlorine tests.

Figure 6 Install the instrument cap over the cell holder



6.1 Download a test procedure

1. Go to <http://www.hach.com>.
2. Enter "DR300" in the Search box.
3. Select the "Downloads" option on the left side in the "Search Type" box.
4. Scroll down to "Methods/Procedures".
5. Click the link for the applicable test procedure to download it.

Section 7 Show measurements

Note: The instrument saves a maximum of 50 measurements. After 50 measurements are done, new measurements replace the oldest measurements.

1. Push and hold ▲ for 3 seconds.
2. Push ▲ until "rCL" (recall) shows, then push ✓.
"– 01 –" shows. Measurement 01 is the last measurement done.
3. Push ✓ to scroll forward.
The measurement number is followed by the measurement value and then the time.
4. To go to a measurement number, push ✓ until a measurement number shows, then push ▲ or ☼.
Note: Measurements cannot be deleted.
5. Push and hold ▲ for 3 seconds to go back to measurement mode.

Section 8 Calibration

This instrument is calibrated at the factory. No user calibration is necessary.

8.1 Standard calibration adjust

Use the standard calibration adjust (SCA) option when a calibration must be adjusted to meet regulatory requirements. The factory calibration is adjusted slightly with the standard calibration adjust (SCA) option so that the instrument shows the expected value of the standard solution. The adjusted calibration is then used for all test results. This adjustment can increase the test accuracy when there are slight variations in the reagents or instruments.

Note: For instruments with factory-calibrated ranges or methods, the standard calibration adjust (SCA) feature is disabled when a user-entered calibration is entered into the instrument. To set SCA back to on, set the instrument to the factory default calibration. Refer to [Set to the factory default calibration](#) on page 20.

8.1.1 Do a standard calibration adjust

1. Complete the test procedure for the range to calibrate. For the sample, use the standard solution concentration given in the test procedure documentation.

Note: If a standard solution concentration is not given in the test procedure documentation, a different known standard can be used.

2. When the test procedure is completed, push and hold ▲ for 3 seconds.
3. Push ▲ until "SCA" shows, then push ✓.
The display shows the standard calibration adjust value.
4. If a different known standard is used, enter the value of the standard:
 - a. Push ▲ until "Edit" shows, then push ✓.
 - b. Enter the value of the standard.

Push the ▲ or ☼ to change the number that flashes. Push ✓ to go to the next digit. Push ◻ to go to the previous digit.

5. Push ✓ to add the standard calibration adjust value to the factory calibration curve.

8.1.2 Set the standard calibration adjust to off

To use the factory default calibration again, set standard calibration adjust (SCA) to off.

1. Push and hold ▲ for 3 seconds to enter menu mode.
2. Push ▲ until "SCA" shows, then push ✓.
3. Push ▲ until "OFF" shows, then push ✓.

Note: To set the SCA function to on again, do a standard calibration adjust.

8.2 User-entered calibration curve

This instrument accepts a user-prepared calibration curve. The calibration curve can be from 0 to 2.5 absorbance. Make sure that the calibration curve includes standard values that are less and more than the range of interest.

The instrument range will be the same as the calibration range. For example, when the standards that are used are 1.00, 2.00 and 4.00. The instrument range is 1.00 to 4.00.

There are two options to enter a user calibration curve:

- **Enter a calibration curve with standards**—The standard solution values are entered with the keypad and the absorbance values are measured.
- **Enter a calibration curve with the keypad**—The standard solution values and absorbance values are entered with the keypad.

Note: If the instrument is set to off or the instrument power is removed before a user-entered calibration curve is completed, the calibration curve is not saved. The instrument automatically switches off in user-entered calibration entry mode after 60 minutes of no activity. User-entered calibrations are completed when the user goes out of calibration (cal) mode or edit mode.

8.2.1 Enter a calibration curve with standards

⚠ WARNING



Chemical exposure hazard. Obey laboratory safety procedures and wear all of the personal protective equipment appropriate to the chemicals that are handled. Refer to the current safety data sheets (MSDS/SDS) for safety protocols.

⚠ CAUTION



Chemical exposure hazard. Dispose of chemicals and wastes in accordance with local, regional and national regulations.

Note: As an alternative, deionized water can be used for the blank unless the sample is significantly more turbid or has more color than deionized water.

1. Push ▲ to set the instrument to the range to calibrate (e.g., LR or HR).
2. Prepare the blank. Refer to the test procedure.
3. Clean the sample cell with a no-lint cloth.
4. Set the instrument to zero.
 - a. Insert the blank sample cell in the cell holder.

- b. Install the instrument cap over the cell holder.
- c. Push **□**. The display shows “- - -”, then “0.00”.
5. Push and hold **▲** for 3 seconds to enter menu mode.
6. Push **▲** until "USER" shows, then push **✓**.
7. Push **▲** until "CAL" shows, then push **✓**.
8. When "S0" shows on the display, push **✓**.
9. Enter 00.00 (or 000.0) for the blank value.
Push the **▲** or **☼** to change the number that flashes. Push **✓** to go to the next digit. Push **□** to go to the previous digit.
10. When “A0” shows on the display, push **✓** to measure the absorbance of the blank.
The display shows the absorbance value for "S0".
11. Remove the sample cell from the cell holder.
12. Prepare the sample. Refer to the test procedure. For the sample, use the standard solution concentration given in the test procedure documentation.
13. Clean the sample cell with a no-lint cloth.
14. Push **☼** to show "S1" (or "Add"), then push **✓**.
15. Enter the concentration value of the first calibration standard, then push **✓**.
16. When "A1" shows on the display, do the steps that follow to measure the absorbance:
- a. Insert the reacted standard sample cell in the cell holder.
- b. Install the instrument cap over the cell holder.
- c. Push **✓**. The display shows the absorbance value for "S1".
17. The calibration is completed with two calibration points. If additional standards are necessary for calibration:
Do steps 11 – 16 again to measure more calibration standards.
18. Remove the sample cell from the cell holder.

19. Immediately empty and rinse the sample cell. Rinse the sample cell and cap three times with deionized water (or distilled water).

Note: As an alternative, tap water can be used to rinse the sample cell if the concentration of the parameter in the tap water is less than the samples measured.

20. Push and hold ▲ for 3 seconds to go back to measurement mode.

8.2.2 Enter a calibration curve with the keypad

At least two data pairs are necessary to enter a user-prepared calibration curve. A concentration value and the absorbance value for the given concentration is necessary for each data pair. A maximum of 10 data pairs can be entered.

1. Push ▲ to set the instrument to the range to calibrate (e.g., LR or HR).
2. Push and hold ▲ for 3 seconds to enter menu mode.
3. Push ▲ until "USEr" shows, then push ✓.
4. Push ▲ until "Edit" shows, then push ✓.
5. When "S0" shows on the display, push ✓.
6. Enter the first data pair.

The first data pair is S0 (concentration value) and A0 (absorbance value).

- Push ▲ or ☼ to change the number that flashes.
 - Push ✓ to go to the next digit.
 - Push ◻ to go to the previous digit.
7. Do steps 5 and 6 again to enter the second data pair (S1 and A1).
 8. The calibration is completed with two data pairs. If additional data pairs are necessary for calibration:
 - a. When "Add" shows, push ✓.
 - b. Do steps 5 and 6 again to enter more data pairs.
 9. Push and hold ▲ for 3 seconds to go back to measurement mode.

8.2.3 Set to the factory default calibration

To remove a user-entered calibration curve from the instrument and use the factory calibration, do the steps that follow:

1. Push and hold ▲ for 3 seconds to enter menu mode.
2. Push ▲ until "USER" shows, then push ✓.
3. Push ▲ until "dFL" (default) shows, then push ✓.

Section 9 Maintenance

▲ CAUTION



Multiple hazards. Only qualified personnel must conduct the tasks described in this section of the document.

NOTICE

Do not disassemble the instrument for maintenance. If the internal components must be cleaned or repaired, contact the manufacturer.

9.1 Clean the instrument

Clean the exterior of the instrument with a moist cloth and a mild soap solution and then wipe the instrument dry as necessary.

9.2 Clean the sample cells

▲ CAUTION



Chemical exposure hazard. Obey laboratory safety procedures and wear all of the personal protective equipment appropriate to the chemicals that are handled. Refer to the current safety data sheets (MSDS/SDS) for safety protocols.

▲ CAUTION



Chemical exposure hazard. Dispose of chemicals and wastes in accordance with local, regional and national regulations.

Most laboratory detergents are used at recommended concentrations. Neutral detergents, such as Liquinox, are safer to use when regular cleaning is necessary. To decrease the cleaning times, increase the temperature or use an ultrasonic bath. To complete the cleaning, rinse a few times with deionized water and then let the sample cell air dry. Sample cells may also be cleaned with acid, followed by a thorough rinse with deionized water.

Note: Always use acid to clean sample cells that were used for low-level metal tests.

Special cleaning methods are necessary for individual procedures. When a brush is used to clean sample cells, take extra care to avoid scratches on the interior surfaces of the sample cells.

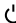
9.3 Replace the batteries

Replace the batteries when the battery power level is low. Refer to [Install the batteries](#) on page 7.

Section 10 Troubleshooting

| Error | Description | Solution |
|-------|----------------------------------|--|
| E-00 | No Zero | In user calibration mode, a standard solution was measured before the instrument zero was set. Measure a blank solution to set the instrument to zero. |
| E-01 | Ambient light error ⁷ | There is ambient light in the cell holder. Make sure that the instrument cap is fully installed on the cell holder. Refer to Do a test on page 11. |
| E-02 | LED error ⁷ | The LED (light source) is out of regulation. Replace the batteries. Make sure that the LED in the cell holder comes on when <input checked="" type="checkbox"/> or <input type="checkbox"/> is pushed. |

⁷ When an E-01 or E-02 error occurs on a measurement, the display shows "_._.". The decimal place depends on the chemistry. If the E-01 or E-02 error occurs while the instrument is set to zero, set the instrument to zero again.

| Error | Description | Solution |
|----------------------------------|---|---|
| E-03 | Standard adjust error | <ul style="list-style-type: none"> The measured value of the standard solution is more than the adjustment limits. Prepare a fresh standard. The standard solution is not within the concentration range that can be used for standard calibration adjust. Prepare a standard with a value at or near the recommended concentrations given in the procedure. Make sure that the concentration of the standard solution is entered correctly. |
| Reading flashes followed by E-04 | The reading is more or less than the instrument range. ⁸ | <p>If the reading is less than the instrument range, make sure that the instrument cap is fully installed on the cell holder. Measure a blank. If the blank reading is not zero, set the instrument to zero again.</p> <p>If the reading is more than the instrument range, identify if there is a light blockage in the cell holder. Dilute the sample. Do the test again.</p> |
| E-06 | Absorbance error | The absorbance value is not correct or the user-entered calibration curve has fewer than two points. Enter or measure the absorbance value again. |
| E-07 | Standard value error | The standard solution concentration is equal to another standard solution concentration that is already entered in the user-entered calibration curve. Enter the correct standard concentration. |
| E-09 | Flash error | The instrument is not able to save data. Push and hold  for 5 seconds to reset the instrument. |
| E-10 | Environment temperature too high or too low | The ambient temperature is out of range. Use the instrument only in the specified operating conditions. Refer to Specifications on page 3. |

⁸ The value that flashes will be 10% over the upper test range limit.

| Error | Description | Solution |
|--|---------------------------------|--|
| E-12 | Low battery power | Battery power is too low. Replace the batteries. Refer to Install the batteries on page 7. |
| E-13 | Parameter load failure | The memory of the instrument is defective. Contact technical support. |
| E-14 followed by "_._" or "0" if no zero was present | Zero measurement invalid | The zero measurement is too low. Use a sample cell filled with water and try again. If the error continues, contact technical support. |
| E-15 followed by "_._" | Absorbance too high | Identify if there is a light blockage in the cell holder. Clean the cell holder. Dilute the sample. Do the test again. Note: This instrument can not read absorbance values higher than 3.5 Abs. |
| E-20 | Signal measurement out of range | There is too much light on the light detector. Make sure that the instrument cap is fully installed on the cell holder. Do the test again. If the error continues, contact technical support. |
| E-21 | Signal measurement unstable | There is an unstable signal on the light detector. There is too much or unstable ambient light. Make sure that the instrument cap is fully installed on the cell holder. Do the test again. If the error continues, contact technical support. |
| E-22 | Hardware error | The electronic system is defective. Contact technical support. |

The following errors can occur immediately after an instrument update.

| Error | Description | Solution |
|-------|--------------------------|---|
| E-30 | No application | There was an error during the application update. A valid application was not found on the instrument. Update the instrument again. |
| E31 | Bootloader update failed | There was an error during the transmission of the bootloader update. Update the bootloader again. |

| Error | Description | Solution |
|-------|---------------------------|--|
| E-32 | Application update failed | There was an error during the transmission of the application update. Update the instrument again. |
| E-66 | Update failed | The instrument is defective. Contact technical support. |

Section 11 Replacement parts and accessories

⚠ WARNING



Personal injury hazard. Use of non-approved parts may cause personal injury, damage to the instrument or equipment malfunction. The replacement parts in this section are approved by the manufacturer.

Note: Product and Article numbers may vary for some selling regions. Contact the appropriate distributor or refer to the company website for contact information.

Replacement parts

| Description | Quantity | Item no. |
|------------------------------------|----------|-----------------|
| AAA batteries, alkaline | 4/pkg | 4674300 |
| Instrument cap | 1 | LPZ445.99.00006 |
| Battery cover | 1 | LPZ445.99.00007 |
| Sample cell, 25 mm (10 mL), glass | 6/pkg | 2427606 |
| Sample cell, 1 cm (10 mL), plastic | 2/pkg | 4864302 |

Accessories

| Description | Quantity | Item no. |
|---------------------------|----------|-----------------|
| Hach Communication Dongle | 1 | LPV446.99.00012 |
| Soft-sided case/holster | 1 | 5953100 |

Tabla de contenidos

- | | | | |
|---|---|----|---|
| 1 | Especificaciones en la página 25 | 7 | Mostrar mediciones en la página 37 |
| 2 | Información general en la página 26 | 8 | Calibración en la página 37 |
| 3 | Instalación de las pilas en la página 30 | 9 | Mantenimiento en la página 43 |
| 4 | Interfaz del usuario y navegación en la página 31 | 10 | Localización de averías en la página 44 |
| 5 | Ajustar la hora en la página 32 | 11 | Piezas de repuesto y accesorios en la página 47 |
| 6 | Efectuar un test en la página 33 | | |

Sección 1 Especificaciones

Las especificaciones están sujetas a cambios sin previo aviso.

| Especificación | Detalles |
|--------------------------------------|--|
| Dimensiones (An. x Al. x Pr.) | 6,9 x 15,7 x 3,4 cm (2,7 x 6,2 x 1,3 pulg.) |
| Protección | IP67, sumergible hasta 1 m (3,3 pies) durante 30 minutos cuando el compartimento de las pilas está cerrado y bloqueado. |
| Fuente de luz | Diodo de emisión de luz (LED) |
| Detector | Fotodiodo de silicón |
| Pantalla | LCD con retroiluminación |
| Peso | 0,25 kg (0,55 lb) |
| Requisitos de alimentación eléctrica | 4 pilas AAA, con una vida aproximada de 5000 tests (la función de retroiluminación reduce esta cifra) No se recomienda el uso de pilas recargables. |
| Entorno operativo | De 0 a 50 °C (de 32 a 122 °F), del 0 al 90% de humedad relativa, sin condensación |
| Temperatura de almacenamiento | -20 a 55 °C (-4 a 131 °F); 0 a 80% de humedad relativa, sin condensación |
| Wavelength (Longitud de onda) | Longitud de onda fija ± 2 nm, varía en cada modelo |
| Ancho de banda del filtro | 15 nm |
| Rango de absorbancia | 0 a 2,5 Abs |
| Cubeta de muestra | 25 mm (10 ml) y 1 cm (10 ml) |

| Especificación | Detalles |
|-------------------------|---|
| Almacenamiento de datos | Últimas 50 mediciones |
| Bluetooth® ¹ | El Bluetooth® está activado cuando el dongle de comunicación de Hach opcional está instalado. |
| Certificaciones | CE |
| Garantía | 1 año (UE: 2 años) |

Sección 2 Información general

En ningún caso el fabricante será responsable de ningún daño directo, indirecto, especial, accidental o resultante de un defecto u omisión en este manual. El fabricante se reserva el derecho a modificar este manual y los productos que describen en cualquier momento, sin aviso ni obligación. Las ediciones revisadas se encuentran en la página web del fabricante.

2.1 Información de seguridad

El fabricante no es responsable de ningún daño debido a un mal uso de este producto incluyendo, sin limitación, daños directos, fortuitos o circunstanciales y reclamaciones sobre los daños que no estén recogidos en la legislación vigente. El usuario es el único responsable de identificar los riesgos críticos y de instalar los mecanismos adecuados de protección de los procesos en caso de un posible mal funcionamiento del equipo.

Sírvase leer todo el manual antes de desembalar, instalar o trabajar con este equipo. Ponga atención a todas las advertencias y avisos de peligro. El no hacerlo puede provocar heridas graves al usuario o daños al equipo.

Asegúrese de que la protección proporcionada por el equipo no está dañada. No utilice ni instale este equipo de manera distinta a lo especificado en este manual.

¹ La palabra y los logotipos de Bluetooth® son marcas registradas propiedad de Bluetooth SIG, Inc. y cualquier uso de dichas marcas por parte de HACH se realiza bajo licencia.

2.1.1 Uso de la información relativa a riesgos

▲ PELIGRO

Indica una situación potencial o de riesgo inminente que, de no evitarse, provocará la muerte o lesiones graves.

▲ ADVERTENCIA

Indica una situación potencial o inminentemente peligrosa que, de no evitarse, podría provocar la muerte o lesiones graves.

▲ PRECAUCIÓN



Indica una situación potencialmente peligrosa que podría provocar una lesión menor o moderada.

AVISO

Indica una situación que, si no se evita, puede provocar daños en el instrumento. Información que requiere especial énfasis.

2.1.2 Etiquetas de precaución

Lea todas las etiquetas y rótulos adheridos al instrumento. En caso contrario, podrían producirse heridas personales o daños en el instrumento. El símbolo que aparezca en el instrumento se comentará en el manual con una declaración de precaución.

| | |
|---|---|
|  | Este símbolo (en caso de estar colocado en el equipo) hace referencia a las instrucciones de uso o a la información de seguridad del manual. |
|  | En Europa, el equipo eléctrico marcado con este símbolo no se debe desechar mediante el servicio de recogida de basura doméstica o pública. Devuelva los equipos viejos o que hayan alcanzado el término de su vida útil al fabricante para su eliminación sin cargo para el usuario. |

2.1.3 Certificación

Reglamentación canadiense sobre equipos que provocan interferencias, IECS-003, Clase B:

Registros de pruebas de control del fabricante.

Este aparato digital de clase B cumple con todos los requerimientos de las reglamentaciones canadienses para equipos que producen interferencias.

Cet appareil numérique de classe B répond à toutes les exigences de la réglementation canadienne sur les équipements provoquant des interférences.

FCC Parte 15, Límites Clase "B"

Registros de pruebas de control del fabricante. Este dispositivo cumple con la Parte 15 de las normas de la FCC estadounidense. Su operación está sujeta a las siguientes dos condiciones:

1. El equipo no puede causar interferencias perjudiciales.
2. Este equipo debe aceptar cualquier interferencia recibida, incluyendo las interferencias que pueden causar un funcionamiento no deseado.

Los cambios o modificaciones a este equipo que no hayan sido aprobados por la parte responsable podrían anular el permiso del usuario para operar el equipo. Este equipo ha sido probado y encontrado que cumple con los límites para un dispositivo digital Clase B, de acuerdo con la Parte 15 de las Reglas FCC. Estos límites están diseñados para proporcionar una protección razonable contra las interferencias perjudiciales cuando el equipo está operando en un entorno comercial. Este equipo genera, utiliza y puede irradiar energía de radio frecuencia, y si no es instalado y utilizado de acuerdo con el manual de instrucciones, puede causar una interferencia dañina a las radio comunicaciones. La operación de este equipo en un área residencial es probable que produzca interferencias dañinas, en cuyo caso el usuario será requerido para corregir la interferencia bajo su propio cargo. Pueden utilizarse las siguientes técnicas para reducir los problemas de interferencia:

1. Aleje el equipo del dispositivo que está recibiendo la interferencia.
2. Cambie la posición de la antena del dispositivo que recibe la interferencia.
3. Pruebe combinaciones de las opciones descritas.

2.2 Descripción general del producto

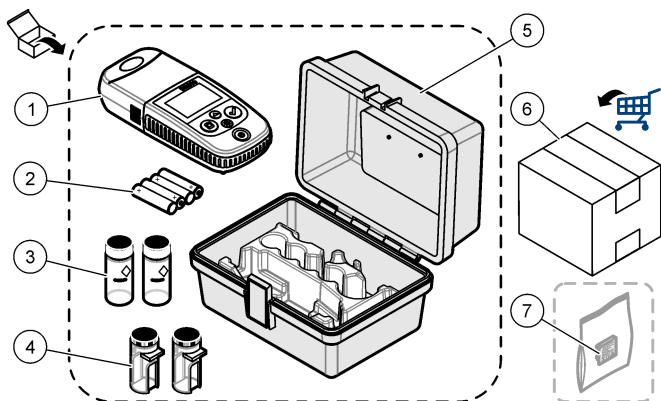
Este instrumento es un fotómetro de filtro portátil que sirve para realizar análisis del agua.

Nota: Este instrumento no ha sido evaluado para medir el cloro ni las cloraminas en aplicaciones médicas en Estados Unidos.

2.3 Componentes del producto

Asegúrese de haber recibido todos los componentes. Consulte [Figura 1](#). Si faltan elementos o están dañados, póngase en contacto con el fabricante o el representante de ventas inmediatamente. En la [Figura 1](#) se muestra un ejemplo y se indican las piezas que se suministran con la unidad LPV445.99.00110. Otros instrumentos se suministran con componentes distintos.

Figura 1 Componentes del producto



| | |
|--|---|
| 1 DR300 | 5 Caja de almacenamiento |
| 2 Pilas alcalinas AAA | 6 Reactivos |
| 3 Cubetas de muestra, 25 mm (10 ml), vidrio | 7 Dongle de comunicación de Hach (opcional, se suministra por separado) |
| 4 Cubetas de muestra, 1 cm (10 ml), plástico | |

Sección 3 Instalación de las pilas

⚠ ADVERTENCIA



Peligro de explosión. Si la batería no están colocada correctamente, se puede producir la liberación de gases explosivos. Asegúrese de que las pilas son del mismo tipo y material químico aprobado y están insertadas en el sentido correcto. No mezcle pilas nuevas y usadas.


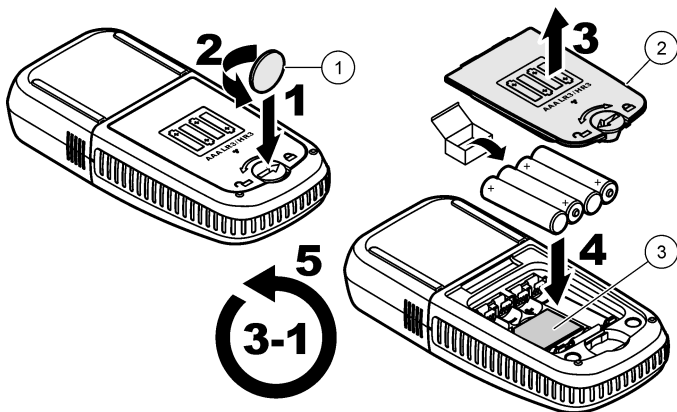
Consulte la [Figura 2](#) para instalar las pilas. A continuación, pulse  para encender el instrumento.

Figura 2 Instalación de las pilas



1 Moneda

2 Tapa de las pilas

3 Inserto de plástico para el dongle²

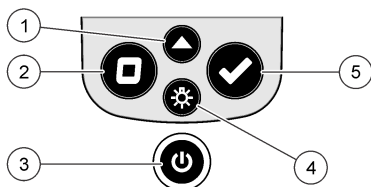
² Retire el inserto de plástico solo cuando vaya a instalar el dongle de comunicación de Hach. Consulte las instrucciones de instalación suministradas con el dongle.

Sección 4 Interfaz del usuario y navegación

4.1 Descripción del teclado

La [Figura 3](#) muestra el teclado y describe las funciones de las teclas.

Figura 3 Teclado

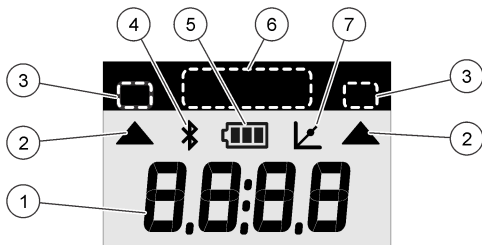


| | |
|---|---|
| <p>1 Tecla rango: selecciona el rango de medición (por ejemplo, LR o HR). Pulse durante 3 segundos para entrar en el modo de menú. En el modo de menú, desplaza hacia arriba o aumenta el valor del dígito seleccionado.</p> | <p>4 Tecla de retroiluminación: enciende y apaga la retroiluminación. En el modo de menú, desplaza la pantalla hacia abajo o disminuye el valor del dígito seleccionado.</p> |
| <p>2 Tecla cero: pone a cero antes de una medición. En el modo de menú, retrocede un nivel de menú o mueve el cursor al dígito anterior.</p> | <p>5 Tecla de lectura: inicia una medición de la muestra. En el modo de menú, selecciona la opción de menú que se muestra o mueve el cursor al siguiente dígito.</p> |
| <p>3 Tecla de encendido/apagado: enciende y apaga la alimentación. Pulse durante 5 segundos para reiniciar el instrumento. No se elimina la calibración.</p> | |

4.2 Descripción de la pantalla

En la **Figura 4** se muestran los valores y los iconos que aparecen en la pantalla.

Figura 4 Pantalla



| | |
|--|---|
| 1 Pantalla numérica: valores medidos u opciones de menú | 5 Icono de la batería: nivel de carga de la batería. Parpadea cuando el nivel de batería es bajo. |
| 2 Icono de rango: señala el rango de medición seleccionado | 6 Parámetros y rangos de medición |
| 3 Rangos de medición o parámetros | 7 Icono de ajuste de la calibración: la calibración predeterminada de fábrica se ha ajustado o se ha introducido una curva de calibración definida por el usuario. |
| 4 Icono de Bluetooth®: el Bluetooth® está activado ³ . | |

Sección 5 Ajustar la hora

Ajuste la hora (formato de 24 horas).

1. Mantenga pulsado ▲ durante 3 segundos para entrar en el modo de menú.
Se muestra la hora (o 00:00).
2. Pulse ✓ para ajustar la hora.
3. Pulse ▲ o ☼ para cambiar el número que parpadea. Pulse ✓ para acceder al siguiente dígito. Pulse □ para pasar al dígito anterior.

³ Se muestra cuando el dongle de comunicación de Hach está instalado.

Sección 6 Efectuar un test

⚠ PELIGRO



Peligro químico o biológico. Si este instrumento se usa para controlar un proceso de tratamiento y/o un sistema de suministro químico para el que existan límites normativos y requisitos de control relacionados con la salud pública, la seguridad pública, la fabricación o procesamiento de alimentos o bebidas, es responsabilidad del usuario de este instrumento conocer y cumplir toda normativa aplicable y disponer de mecanismos adecuados y suficientes que satisfagan las normativas vigentes en caso de mal funcionamiento del equipo.

⚠ PELIGRO



Peligro por exposición a productos químicos. Respete los procedimientos de seguridad del laboratorio y utilice el equipo de protección personal adecuado para las sustancias químicas que vaya a manipular. Consulte los protocolos de seguridad en las hojas de datos de seguridad actuales (MSDS/SDS).

⚠ PRECAUCIÓN



Peligro por exposición a productos químicos. Deshágase de los productos químicos y los residuos de acuerdo con las normativas locales, regionales y nacionales.

A continuación se enumeran los pasos genéricos para llevar a cabo un test.

Para efectuar un test relativo a un parámetro específico (por ejemplo, el cloro), descargue el procedimiento del test del sitio web del fabricante. Consulte [Descargar un procedimiento de tests](#) en la página 36.

1. Pulse ▲ para seleccionar el rango de medición aplicable (p. ej., LR o HR).
2. Prepare el blanco. Consulte el procedimiento de test.
3. Limpie la cubeta de muestra con un paño sin pelusa.



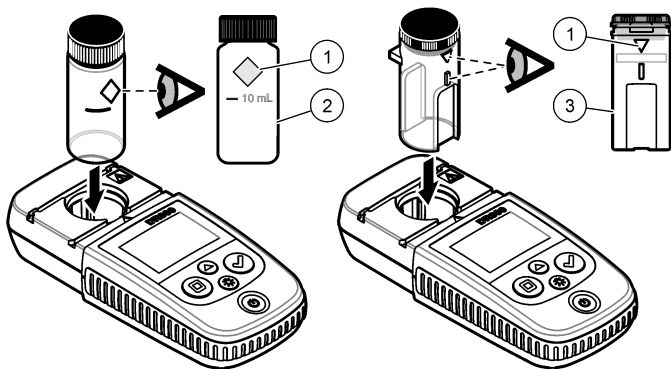
4. Introduzca la cubeta de muestra del blanco en el alojamiento de cubetas. Asegúrese de colocar la cubeta de muestra del blanco en la orientación correcta y adecuada para que los resultados sean aceptables y precisos. Consulte la [Figura 5](#).
5. Coloque la tapa del instrumento sobre el alojamiento de cubetas. Consulte la [Figura 6](#).
6. Pulse  para poner el instrumento a cero.
7. Retire la cubeta de muestra del blanco.
8. Prepare la muestra. Consulte el procedimiento de test.
9. Limpie la cubeta de muestra con un paño sin pelusa.
10. Introduzca la cubeta de muestra en el alojamiento de cubetas. Asegúrese de colocar la cubeta de la muestra en la orientación correcta y adecuada para que los resultados sean aceptables y precisos. Consulte la [Figura 5](#).
11. Coloque la tapa del instrumento sobre el alojamiento de cubetas. Consulte la [Figura 6](#).
12. Pulse . En la pantalla se mostrarán los resultados en unidades de concentración o absorbancia.
Nota: El resultado parpadea si es inferior o superior al rango del instrumento.
13. Retire la cubeta de muestra del alojamiento de cubetas.
14. Vacíe y aclare la cubeta de muestra inmediatamente. Lave la cubeta de muestra y la tapa tres veces con agua desionizada (o agua destilada).
Nota: Como alternativa, use agua del grifo para lavar la cubeta de muestra si las muestras medidas tienen una concentración mayor que el agua del grifo.

Figura 5 Orientación de la cubeta de muestra



1 Marca de orientación⁴

2 Cubeta de muestra de 25 mm (10 ml), cristal⁵

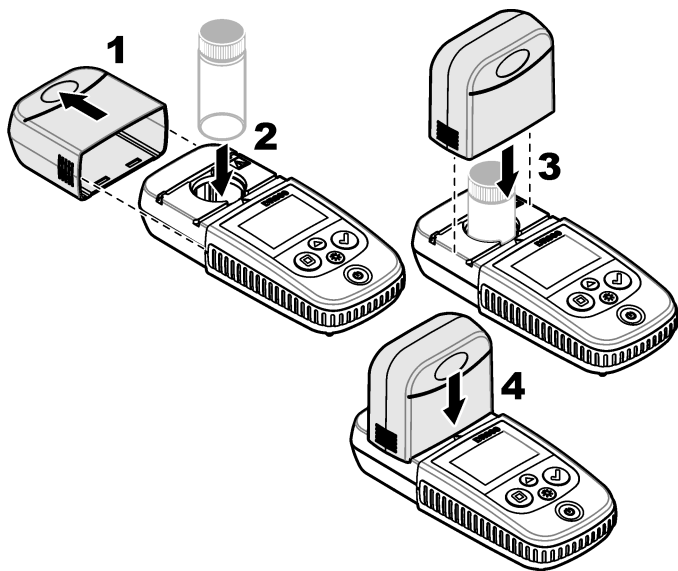
3 Cubeta de muestra de 1 cm (10 ml), plástico⁶

⁴ Algunos modelos del instrumento tienen cubetas de muestra que no incluyen marca de orientación.

⁵ Utilice la cubeta de muestra de cristal para pruebas de cloro de rango bajo.

⁶ Utilice la cubeta de muestra de plástico para pruebas de cloro de rango alto.

Figura 6 Coloque la tapa del instrumento sobre el alojamiento de cubetas



6.1 Descargar un procedimiento de tests

1. Vaya a <http://www.hach.com>.
2. Introduzca "DR300" en el cuadro de búsqueda.
3. Seleccione la opción "Descargas" en el lado izquierdo en el cuadro "Tipo de búsqueda".
4. Desplácese hacia abajo hasta "Methods/Procedures" (Métodos y procedimientos).
5. Haga clic en el enlace al procedimiento de test correspondiente para descargarlo.

Sección 7 Mostrar mediciones

Nota: El instrumento guarda un máximo de 50 mediciones. Una vez efectuadas 50 mediciones, cada nueva medición irá sustituyendo a la más antigua.

1. Mantenga pulsada la tecla ▲ (Intro) durante 3 segundos.
2. Pulse ▲ hasta que aparezca "rCL" (Recuperar) y, a continuación, pulse ✓.

En la pantalla aparecerá "- 01 -". La medición 01 es la última realizada.

3. Pulse ✓ para desplazarse hacia adelante.
El número de medición va seguido del valor de la medición y, a continuación, la hora.
4. Para ir a un número de medición, pulse ✓ hasta que aparezca un número de medición y, a continuación, pulse ▲ o ☼.

Nota: Las mediciones no se pueden eliminar.

5. Mantenga pulsado ▲ durante tres segundos para volver al modo de medición.

Sección 8 Calibración

Este instrumento se calibra en fábrica. No es necesario realizar más calibraciones.

8.1 Ajuste de patrón de calibración

Utilice la opción de ajuste de patrón de calibración (SCA) si la calibración debe ajustarse para cumplir requisitos normativos. La calibración de fábrica se ajusta ligeramente con la opción de ajuste de patrón de calibración (SCA) de manera que el instrumento muestra el valor esperado de la solución estándar. A partir de entonces, se utiliza la calibración ajustada para todos los resultados de los tests. Este ajuste puede aumentar la precisión de la prueba cuando hay pequeñas variaciones en los reactivos o instrumentos.

Nota: Para los instrumentos con métodos o rangos calibrados de fábrica, la función de ajuste de patrón de calibración (SCA) se desactiva cuando el usuario introduce manualmente en el instrumento una calibración. Para volver a activar SCA, ajuste el instrumento a la calibración predeterminada de fábrica. Consulte [Cambiar a la calibración predeterminada de fábrica en la página 42](#).

8.1.1 Efectuar un ajuste del patrón de calibración

1. Complete el procedimiento de test para que se calibre el rango. Para la muestra, utilice la concentración de solución estándar indicada en la documentación del procedimiento de test.

Nota: Si la concentración de la solución estándar no se indica en la documentación del procedimiento de test, puede utilizarse otro patrón conocido.

2. Una vez finalizado el procedimiento de test, pulse ▲ durante 3 segundos.
3. Pulse ▲ hasta que aparezca "SCA" y, a continuación, pulse ✓. El valor del ajuste del patrón de calibración se muestra en la pantalla.
4. Si utiliza otro patrón conocido, introduzca su valor:
 - a. Pulse ▲ hasta que aparezca "Edit" (Editar) y, a continuación, pulse ✓.
 - b. Introduzca el valor del patrón.
Pulse ▲ o ☼ para cambiar el número que parpadea. Pulse ✓ para acceder al siguiente dígito. Pulse □ para pasar al dígito anterior.
5. Pulse ✓ para agregar el valor de ajuste del patrón de calibración a la curva de calibración de fábrica.

8.1.2 Desactivar el ajuste del patrón de calibración

Para utilizar de nuevo la configuración de calibración predeterminada de fábrica, desactive el ajuste del patrón de calibración (SCA).

1. Mantenga pulsado ▲ durante 3 segundos para entrar en el modo de menú.
2. Pulse ▲ hasta que aparezca "SCA" y, a continuación, pulse ✓.
3. Pulse ▲ hasta que aparezca "OFF" (Apagado) y, a continuación, pulse ✓.

Nota: Para volver a activar la función de SCA, efectúe un ajuste de patrón de calibración.

8.2 Calibración introducida por el usuario por el usuario

Este instrumento acepta una curva de calibración preparada por el usuario. La curva de calibración puede incluir una absorbancia de 0 a 2,5. Compruebe que la curva de calibración incluye los valores de estándar que son menores y mayores que el rango de interés.

El rango del instrumento será el mismo que el rango de calibración. Por ejemplo, cuando los estándares que se usan son 1,00, 2,00 y 4,00. El rango del instrumento es de 1,00 a 4,00.

Hay dos opciones para introducir una curva de calibración del usuario:

- **Introducir una curva de calibración con estándares**—Los valores de solución estándar se introducen con el teclado y se miden los valores de absorbancia.
- **Introducir una curva de calibración con el teclado**—Los valores de solución estándar y los valores de absorbancia se introducen con el teclado.

Nota: Si el instrumento se apaga o se interrumpe la corriente de alimentación antes de que se complete una curva de calibración introducida por el usuario, la curva de calibración no se guarda. El instrumento se apaga automáticamente en el modo de entrada de calibración introducida por el usuario después de 60 minutos sin actividad. Las calibraciones introducidas por el usuario están completas cuando el usuario sale del modo de calibración (cal) o del modo de edición.

8.2.1 Introducir una curva de calibración con patrones

▲ ADVERTENCIA



Peligro por exposición a productos químicos. Respete los procedimientos de seguridad del laboratorio y utilice el equipo de protección personal adecuado para las sustancias químicas que vaya a manipular. Consulte los protocolos de seguridad en las hojas de datos de seguridad actuales (MSDS/SDS).

⚠ PRECAUCIÓN



Peligro por exposición a productos químicos. Deshágase de los productos químicos y los residuos de acuerdo con las normativas locales, regionales y nacionales.

Nota: Como alternativa, se puede utilizar agua desionizada para preparar el blanco, a menos que la muestra sea significativamente más turbia o tenga más color que el agua desionizada.

1. Pulse **▲** para ajustar el instrumento al rango de calibración (p. ej., LR o HR).
2. Prepare el blanco. Consulte el procedimiento de test.
3. Limpie la cubeta de muestra con un paño sin pelusa.
4. Ajuste el instrumento a cero.
 - a. Inserte la cubeta de muestra con el blanco en el alojamiento de cubetas.
 - b. Coloque la tapa del instrumento sobre el alojamiento de cubetas.
 - c. Pulse **□**. La pantalla muestra "- - - -" y a continuación "0.00".
5. Mantenga pulsado **▲** durante 3 segundos para entrar en el modo de menú.
6. Pulse **▲** hasta que aparezca "USER" (Usuario) y, a continuación, pulse **✓**.
7. Pulse **▲** hasta que aparezca "CAL" y, a continuación, pulse **✓**.
8. Cuando aparezca "S0" en la pantalla, pulse **✓**.
9. Introduzca 00.00 (o 000.0) para el valor del blanco.

Pulse **▲** o **☼** para cambiar el número que parpadea. Pulse **✓** para acceder al siguiente dígito. Pulse **□** para pasar al dígito anterior.
10. Cuando aparezca "A0" en la pantalla, pulse **✓** para medir la absorbancia del blanco.

La pantalla muestra el valor de absorbancia de "S0".
11. Retire la cubeta de muestra del alojamiento de cubetas.
12. Prepare la muestra. Consulte el procedimiento de test. Para la muestra, utilice la concentración de solución estándar indicada en la documentación del procedimiento de test.

13. Limpie la cubeta de muestra con un paño sin pelusa.
14. Pulse ☼ para que aparezca "S1" (o "Add" [Añadir]) y, a continuación, pulse ✓.
15. Introduzca el valor de concentración del primer patrón de calibración y, a continuación, pulse ✓.
16. Cuando aparezca "A1" en la pantalla, siga estos pasos para medir la absorbancia:
 - a. Inserte la cubeta de muestra de reacción estándar en el alojamiento de cubetas.
 - b. Coloque la tapa del instrumento sobre el alojamiento de cubetas.
 - c. Pulse ✓. La pantalla muestra el valor de absorbancia de "S1".
17. La calibración se finaliza con dos puntos de calibración. Si se necesitan patrones adicionales para la calibración:
Repita los pasos 11 - 16 para medir más patrones de calibración.
18. Retire la cubeta de muestra del alojamiento de cubetas.
19. Vacíe y aclare la cubeta de muestra inmediatamente. Lave la cubeta de muestra y la tapa tres veces con agua desionizada (o agua destilada).
Nota: Como alternativa, puede emplearse agua del grifo para enjuagar la cubeta de muestra si la concentración del parámetro en el agua del grifo es inferior al de las muestras medidas.
20. Mantenga pulsado ▲ durante tres segundos para volver al modo de medición.

8.2.2 Introducir una curva de calibración con el teclado

Son necesarios al menos dos pares de datos para introducir una curva de calibración preparada por el usuario. Para cada par de datos es necesario un valor de concentración y el valor de absorbancia para la concentración dada. Se puede introducir un máximo de 10 pares de datos.

1. Pulse ▲ para ajustar el instrumento al rango de calibración (p. ej., LR o HR).
2. Mantenga pulsado ▲ durante 3 segundos para entrar en el modo de menú.

3. Pulse ▲ hasta que aparezca "USEr" (Usuario) y, a continuación, pulse ✓.
4. Pulse ▲ hasta que aparezca "Edit" (Editar) y, a continuación, pulse ✓.
5. Cuando aparezca "S0" en la pantalla, pulse ✓.
6. Introduzca el primer par de datos.
El primer par de datos es S0 (valor de concentración) y A0 (valor de absorbancia).
 - Pulse ▲ o ☼ para cambiar el número que parpadea.
 - Pulse ✓ para acceder al siguiente dígito.
 - Pulse □ para pasar al dígito anterior.
7. Repita los pasos 5 y 6 para introducir el segundo par de datos (S1 y A1).
8. La calibración se finaliza con dos pares de datos. Si se necesitan pares de datos adicionales para la calibración:
 - a. Cuando se muestre "Add" (Añadir), pulse ✓.
 - b. Repita los pasos 5 y 6 para introducir más pares de datos.
9. Mantenga pulsado ▲ durante tres segundos para volver al modo de medición.

8.2.3 Cambiar a la calibración predeterminada de fábrica

Para eliminar una curva de calibración del instrumento introducida por el usuario y utilizar la calibración de fábrica, siga los pasos que se indican a continuación:

1. Mantenga pulsado ▲ durante 3 segundos para entrar en el modo de menú.
2. Pulse ▲ hasta que aparezca "USEr" (Usuario) y, a continuación, pulse ✓.
3. Pulse ▲ hasta que aparezca "dFL" (Valor predeterminado) y, a continuación, pulse ✓.

Sección 9 Mantenimiento

▲ PRECAUCIÓN



Peligros diversos. Solo el personal cualificado debe realizar las tareas descritas en esta sección del documento.

AVISO

No desmonte el instrumento para el mantenimiento. Si es necesario limpiar o reparar los componentes internos, póngase en contacto con el fabricante.

9.1 Limpieza del instrumento

Limpie el exterior del instrumento con un paño húmedo y una solución jabonosa suave y, a continuación, seque el instrumento según sea necesario.

9.2 Limpiar las cubetas de muestra

▲ PRECAUCIÓN



Peligro por exposición a productos químicos. Respete los procedimientos de seguridad del laboratorio y utilice el equipo de protección personal adecuado para las sustancias químicas que vaya a manipular. Consulte los protocolos de seguridad en las hojas de datos de seguridad actuales (MSDS/SDS).

▲ PRECAUCIÓN



Peligro por exposición a productos químicos. Deshágase de los productos químicos y los residuos de acuerdo con las normativas locales, regionales y nacionales.

La mayoría de los detergentes de laboratorio se usan en concentraciones recomendadas. El uso de los detergentes neutros, como el Liquinox, es más seguro cuando se necesita limpiar regularmente. Para disminuir el tiempo de limpieza, aumente la temperatura o use un baño ultrasónico. Para completar la limpieza, enjuague varias veces con agua desionizada y deje que la cubeta de muestra se seque.

Las cubetas de muestras también se pueden limpiar con ácido después de enjuagar bien con agua desionizada.

Nota: Siempre utilice ácido para limpiar las cubetas de muestras que se hayan utilizado para tests de metal de bajo nivel.

Los métodos de limpieza especial son necesarios para procedimientos individuales. Al utilizar un cepillo para limpiar las cubetas de muestras, tenga especial cuidado de no rayar la superficie interior de las mismas.

9.3 Cambio de las pilas

Sustituya las pilas cuando el nivel de la batería sea bajo. Consulte la [Instalación de las pilas](#) en la página 30.


Sección 10 Localización de averías

| Error | Descripción | Solución |
|-------|---------------------------------------|--|
| E-00 | No hay cero | En el modo de calibración del usuario, se ha medido una solución estándar antes de establecer el cero del instrumento. Mida una solución de blanco para establecer el instrumento a cero. |
| E-01 | Error en la luz ambiente ⁷ | En el alojamiento de cubetas hay luz ambiente. Asegúrese de que la tapa del instrumento está totalmente colocada sobre el alojamiento de cubetas. Consulte Efectuar un test en la página 33. |
| E-02 | Error de LED ⁷ | El LED (fuente de luz) no está regulado. Cambie las pilas. Compruebe que el LED del alojamiento de cubetas se ilumina cuando se pulsa <input checked="" type="checkbox"/> o <input type="checkbox"/> . |

⁷ Cuando se produce un error E-01 o E-02 durante una medición, en la pantalla aparecerá "_._.". La posición decimal depende del proceso químico. Si se produce un error E-01 o E-02 mientras el instrumento se establece a cero, vuelva a establecerlo.

| Error | Descripción | Solución |
|---|--|--|
| E-03 | Error de ajuste estándar | <ul style="list-style-type: none"> • El valor medido de la solución estándar es superior a los límites de ajuste. Prepare una solución estándar nueva. • La solución estándar está fuera del rango de concentración que se puede utilizar para el ajuste de la calibración estándar. Prepare una solución estándar con un valor igual o aproximado a las concentraciones recomendadas en el procedimiento. • Asegúrese de que la concentración de la solución estándar se ha introducido correctamente. |
| Parpadeos de lectura seguidos de error E-04 | La lectura es superior o inferior al rango del instrumento. ⁸ | Si la lectura es inferior al rango del instrumento, asegúrese de que la tapa del instrumento está totalmente colocada sobre el alojamiento de cubetas. Mida una solución de blanco. Si la lectura del blanco no es cero, vuelva a establecer el instrumento en cero. |
| | | Si la lectura es superior al rango del instrumento, compruebe que no hay bloqueos luminosos en el alojamiento de cubetas. Diluya la muestra. Repita la prueba. |
| E-06 | Error de absorbancia | El valor de absorbancia no es correcto o la curva de calibración introducida por el usuario tiene menos de dos puntos. Vuelva a introducir o a medir un valor de absorbancia. |
| E-07 | Error de valor estándar | La concentración de la solución estándar es igual a otra concentración de solución estándar que ya se ha introducido en la curva de calibración definida por el usuario. Indique la concentración estándar correcta. |

⁸ El valor que parpadea será del 10% sobre el límite superior del rango de prueba.

| Error | Descripción | Solución |
|---|--|--|
| E-09 | Error de flash | El instrumento no puede guardar datos. Mantenga pulsado  durante 5 segundos para reiniciar el instrumento. |
| E-10 | Temperatura ambiente demasiado alta o demasiado baja | La temperatura ambiente está fuera de rango. Utilice el instrumento únicamente en las condiciones de funcionamiento especificadas. Consulte Especificaciones en la página 25. |
| E-12 | Carga de pilas baja | El nivel de carga de las pilas es demasiado bajo. Cambie las pilas. Consulte Instalación de las pilas en la página 30. |
| E-13 | Fallo de carga de parámetros | La memoria del instrumento está defectuosa. Póngase en contacto con el servicio de asistencia técnica. |
| E-14 seguido de "._" o "0" si no había cero | Medición de cero no válida | La medición de cero es demasiado baja. Utilice una cubeta de muestra llena de agua e inténtelo de nuevo. Si el error persiste, póngase en contacto con el servicio de asistencia técnica. |
| E-15 seguido de "._" | Absorbancia demasiado alta | Compruebe si hay bloqueos luminosos en el alojamiento de cubetas. Limpieza del alojamiento de cubetas. Diluya la muestra. Repita la prueba. Nota: Este instrumento no puede leer valores de absorbancia superiores a 3,5 Abs. |
| E-20 | Medición de señal fuera de rango | Hay demasiada luz en el detector de luz. Asegúrese de que la tapa del instrumento está totalmente colocada sobre el alojamiento de cubetas. Repita la prueba. Si el error persiste, póngase en contacto con el servicio de asistencia técnica. |

| Error | Descripción | Solución |
|-------|-----------------------------|--|
| E-21 | Medición de señal inestable | Hay una señal inestable en el detector de luz. Hay demasiada luz ambiental o a luz es inestable. Asegúrese de que la tapa del instrumento está totalmente colocada sobre el alojamiento de cubetas. Repita la prueba. Si el error persiste, póngase en contacto con el servicio de asistencia técnica. |
| E-22 | Error de hardware | El sistema electrónico está defectuoso. Póngase en contacto con el servicio de asistencia técnica. |

Los siguientes errores pueden producirse inmediatamente después de una actualización del instrumento.

| Error | Descripción | Solución |
|-------|---|---|
| E-30 | Ninguna aplicación | Se ha producido un error durante la actualización de la aplicación. No se ha encontrado ninguna aplicación válida en el instrumento. Actualice de nuevo el instrumento. |
| E31 | Error de actualización del gestor de arranque | Se ha producido un error durante la transmisión de la actualización del gestor de arranque. Actualice de nuevo el gestor de arranque. |
| E-32 | Error de actualización de la aplicación | Se ha producido un error durante la transmisión de la actualización de la aplicación. Actualice de nuevo el instrumento. |
| E-66 | Error de actualización | El instrumento está defectuoso. Póngase en contacto con el servicio de asistencia técnica. |

Sección 11 Piezas de repuesto y accesorios

▲ ADVERTENCIA



Peligro de lesión personal. El uso de piezas no aprobadas puede causar lesiones personales, daños al instrumento o un mal funcionamiento del equipo. Las piezas de repuesto que aparecen en esta sección están aprobadas por el fabricante.

Nota: Las referencias de los productos pueden variar para algunas regiones de venta. Póngase en contacto con el distribuidor correspondiente o visite la página web de la empresa para obtener la información de contacto.

Piezas de repuesto

| Descripción | Cantidad | Referencia |
|---|-----------|-----------------|
| Pilas alcalina AAA | 4/paquete | 4674300 |
| Tapa del instrumento | 1 | LPZ445.99.00006 |
| Tapa de las pilas | 1 | LPZ445.99.00007 |
| Cubeta de muestra, 25 mm (10 ml), vidrio | 6/paquete | 2427606 |
| Cubeta de muestra, 1 cm (10 ml), plástico | 2/paquete | 4864302 |

Accesorios

| Descripción | Cantidad | Referencia |
|--------------------------------|----------|-----------------|
| Dongle de comunicación de Hach | 1 | LPV446.99.00012 |
| Estuche blando/funda | 1 | 5953100 |

Table des matières

- | | | | |
|---|---|----|---|
| 1 | Caractéristiques techniques à la page 49 | 7 | Affichage des mesures à la page 62 |
| 2 | Généralités à la page 50 | 8 | Etalonnage à la page 62 |
| 3 | Installation des piles à la page 54 | 9 | Maintenance à la page 67 |
| 4 | Interface utilisateur et navigation à la page 55 | 10 | Dépannage à la page 69 |
| 5 | Réglage de l'heure à la page 57 | 11 | Pièces de rechange et accessoires à la page 72 |
| 6 | Exécution d'un test à la page 58 | | |

Section 1 Caractéristiques techniques

Ces caractéristiques sont susceptibles d'être modifiées sans avis préalable.

| Caractéristique | Détails |
|------------------------------|---|
| Dimensions (L x H x P) | 6,9 x 15,7 x 3,4 cm (2,7 x 6,2 x 1,3 pouces) |
| Boîtier | IP67, étanche à 1 m (3,3 pieds) pendant 30 minutes si le compartiment des piles est fermé et verrouillé. |
| Source de lumière | Diode électroluminescente (DEL) |
| Détecteur | Photodiode au silicium |
| Ecran | Ecran LCD avec rétroéclairage |
| Poids | 0,25 kg (0,55 lb) |
| Alimentation électrique | 4 piles AAA ; durée de vie permettant environ 5 000 tests (l'utilisation du rétroéclairage diminue cette durée) L'utilisation de piles rechargeables est déconseillée. |
| Environnement d'exploitation | 0 à 50 °C (32 à 122 °F) ; 0 à 90% d'humidité relative sans condensation |
| Température de stockage | -20 à 55 °C (-4 à 131 °F) ; 0 à 80 % d'humidité relative sans condensation |
| Longueur d'onde | Longueur d'onde fixe de ± 2 nm, différente pour chaque modèle |
| Largeur de bande de filtre | 15 nm |
| Plage d'absorbance | 0 à 2,5 Abs |

| Caractéristique | Détails |
|-------------------------|--|
| Cuve à échantillon | 25 mm (10 mL) et 1 cm (10 mL) |
| Stockage des données | 50 dernières mesures |
| Bluetooth® ¹ | Le Bluetooth® est activé lorsque le dongle de communication Hach en option est installé. |
| Certifications | CE |
| Garantie | 1 an (UE : 2 ans) |

Section 2 Généralités

En aucun cas le constructeur ne saurait être responsable des dommages directs, indirects, spéciaux, accessoires ou consécutifs résultant d'un défaut ou d'une omission dans ce manuel. Le constructeur se réserve le droit d'apporter des modifications à ce manuel et aux produits décrits, à tout moment, sans avertissement ni obligation. Les éditions révisées se trouvent sur le site Internet du fabricant.

2.1 Consignes de sécurité

Le fabricant décline toute responsabilité quant aux dégâts liés à une application ou un usage inappropriés de ce produit, y compris, sans toutefois s'y limiter, des dommages directs ou indirects, ainsi que des dommages consécutifs, et rejette toute responsabilité quant à ces dommages dans la mesure où la loi applicable le permet. L'utilisateur est seul responsable de la vérification des risques d'application critiques et de la mise en place de mécanismes de protection des processus en cas de défaillance de l'équipement.

Veuillez lire l'ensemble du manuel avant le déballage, la configuration ou la mise en fonctionnement de cet appareil. Respectez toutes les déclarations de prudence et d'attention. Le non-respect de cette procédure peut conduire à des blessures graves de l'opérateur ou à des dégâts sur le matériel.

¹ La marque et les logos Bluetooth® sont des marques déposées appartenant à Bluetooth SIG, Inc. et toute utilisation de ces marques par HACH est sous licence.

Assurez-vous que la protection fournie avec cet appareil n'est pas défaillante. N'utilisez ni n'installez cet appareil d'une façon différente de celle décrite dans ce manuel.

2.1.1 Informations sur les risques d'utilisation

▲ DANGER

Indique une situation de danger potentiel ou imminent qui, si elle n'est pas évitée, entraîne des blessures graves, voire mortelles.

▲ AVERTISSEMENT

Indique une situation de danger potentiel ou imminent qui, si elle n'est pas évitée, peut entraîner des blessures graves, voire mortelles.

▲ ATTENTION



Indique une situation de danger potentiel qui peut entraîner des blessures mineures ou légères.

AVIS

Indique une situation qui, si elle n'est pas évitée, peut occasionner l'endommagement du matériel. Informations nécessitant une attention particulière.

2.1.2 Etiquettes de mise en garde

Lisez toutes les informations et toutes les étiquettes apposées sur l'appareil. Des personnes peuvent se blesser et le matériel peut être endommagé si ces instructions ne sont pas respectées. Tout symbole sur l'appareil renvoie à une instruction de mise en garde dans le manuel.

| | |
|--|--|
|  | Si l'appareil comporte ce symbole, reportez-vous au manuel d'instructions pour consulter les informations de fonctionnement et de sécurité. |
|  | Le matériel électrique portant ce symbole ne doit pas être mis au rebut dans les réseaux domestiques ou publics européens. Retournez le matériel utilisé ou en fin de vie au fabricant pour une mise au rebut sans frais pour l'utilisateur. |

2.1.3 Certification

Réglementation canadienne sur les équipements radio provoquant des interférences, IECS-003, Classe B

Les données d'essai correspondantes sont conservées chez le constructeur.

This Class B digital apparatus meets all requirements of the Canadian Interference-Causing Equipment Regulations.

Cet appareil numérique de classe B répond à toutes les exigences de la réglementation canadienne sur les équipements provoquant des interférences.

FCC chapitre 15, limitations de classe B

Les données d'essai correspondantes sont conservées chez le constructeur. L'appareil est conforme à la partie 15 de la réglementation FCC. Le fonctionnement est soumis aux conditions suivantes :

1. Cet équipement ne peut pas causer d'interférence nuisible.
2. Cet équipement doit accepter toutes les interférences reçues, y compris celles qui pourraient entraîner un fonctionnement inattendu.

Les modifications de cet équipement qui n'ont pas été expressément approuvées par le responsable de la conformité aux limites pourraient annuler l'autorité dont l'utilisateur dispose pour utiliser cet équipement. Cet équipement a été testé et respecte les limitations d'un appareil numérique de classe B, conformément au chapitre 15 de la réglementation FCC. Ces limites ont pour but de fournir une protection raisonnable contre les interférences néfastes lorsque l'équipement fonctionne dans un environnement commercial. Cet équipement génère, utilise et peut irradier l'énergie des fréquences radio et, s'il n'est pas installé ou utilisé conformément au mode d'emploi, il peut entraîner des interférences dangereuses pour les communications radio. Le fonctionnement de cet équipement dans une zone résidentielle risque de causer des interférences nuisibles, dans ce cas l'utilisateur doit corriger les interférences à ses frais. Les techniques ci-dessous peuvent permettre de réduire les problèmes d'interférences :

1. Eloigner l'équipement du dispositif qui reçoit l'interférence.
2. Repositionner l'antenne de réception du périphérique qui reçoit les interférences.
3. Essayer plusieurs des techniques ci-dessus à la fois.

2.2 Présentation du produit

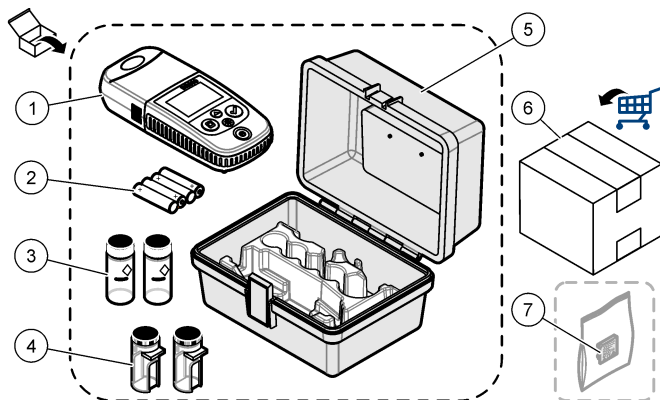
Cet instrument est un photomètre à filtre portatif utilisé pour l'analyse de l'eau.

Remarque : cet instrument n'a pas été testé pour la mesure de chlore et de chloramine dans les applications médicales aux Etats-Unis.

2.3 Composants du produit

Assurez-vous d'avoir bien reçu tous les composants. Reportez-vous à la [Figure 1](#). Si un élément est manquant ou endommagé, contactez immédiatement le fabricant ou un représentant. Par exemple, la [Figure 1](#) montre les pièces fournies avec le LPV445.99.00110. D'autres appareils sont fournis avec différents composants.

Figure 1 Composants du produit



| | |
|---|--|
| 1 DR300 | 5 Boîtier de stockage |
| 2 Piles alcalines AAA | 6 Réactifs |
| 3 Cuves à échantillon, 25 mm (10 mL), en verre | 7 Dongle de communication Hach(en option, fourni séparément) |
| 4 Cuves à échantillon, 1 cm (10 mL), en plastique | |

Section 3 Installation des piles

▲ AVERTISSEMENT



Risque d'explosion. Une installation incorrecte des piles peut libérer des gaz explosifs. Veillez à ce que les piles soient du même type chimique homologué et qu'elles soient insérées dans le bon sens. Ne mélangez pas des piles neuves et des piles usagées.


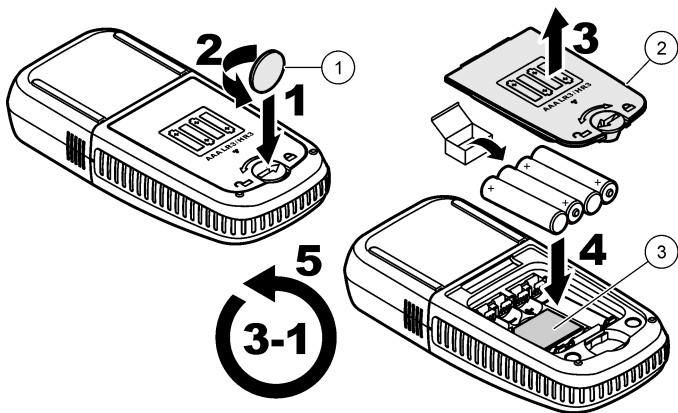
Reportez-vous à la [Figure 2](#) pour installer les piles. Appuyez ensuite sur  pour allumer l'instrument.

Figure 2 Installation des piles



1 Pièce de monnaie

2 Capot des piles

3 Cache en plastique pour dongle²

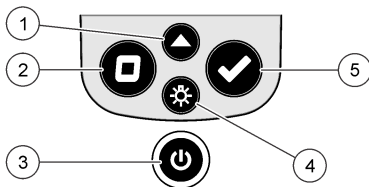
Section 4 Interface utilisateur et navigation

4.1 Description du clavier

La [Figure 3](#) illustre le clavier et fournit des indications sur les fonctions des boutons.

² Ne retirez le cache en plastique que pour installer le dongle de communication Hach. Reportez-vous aux instructions d'installation fournies avec le Dongle.

Figure 3 Clavier

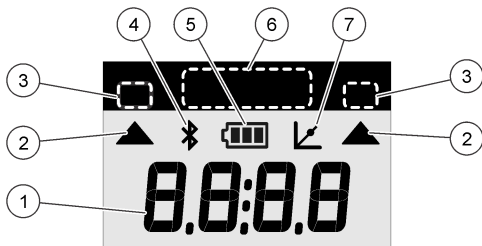


| | |
|--|---|
| <p>1 Touche de plage : sélectionne la plage de mesure (p. ex., LR ou HR). Appuyez sur la touche pendant 3 secondes pour accéder au mode menu ou le quitter. En mode menu, fait défiler vers le haut ou augmente la valeur du chiffre sélectionné.</p> | <p>4 Touche de rétroéclairage : active et désactive le rétroéclairage. En mode menu, fait défiler vers le bas ou diminue la valeur du chiffre sélectionné.</p> |
| <p>2 Touche zéro : rétablit la valeur zéro avant une mesure. En mode menu, remonte d'un niveau de menu ou déplace le curseur sur le chiffre précédent.</p> | <p>5 Touche de lecture : lance une mesure d'échantillon. En mode menu, sélectionne l'option de menu ou déplace le curseur sur le chiffre suivant.</p> |
| <p>3 Touche d'alimentation : met l'instrument sous et hors tension. Maintenez la touche enfoncée pendant 5 secondes pour réinitialiser l'instrument. L'étalonnage n'est pas supprimé.</p> | |

4.2 Description de l'affichage

La Figure 4 illustre les valeurs et icônes affichées à l'écran.

Figure 4 Ecran



| | |
|---|---|
| 1 Ecran numérique : valeur mesurée ou options de menu | 5 Icône des piles : niveau de charge des piles. Clignote lorsque le niveau de charge des piles est faible. |
| 2 Icône de plage : indique la plage de mesure sélectionnée | 6 Paramètres et plages de mesure |
| 3 Plages de mesure ou paramètres | 7 Icône d'ajustement de l'étalonnage : l'étalonnage d'usine par défaut a été ajusté ou une courbe d'étalonnage utilisateur a été saisie. |
| 4 Icône Bluetooth® : indique que le Bluetooth® est activé ³ . | |

Section 5 Réglage de l'heure

Réglez l'heure (format 24 heures).

1. Appuyez sur ▲ et maintenez la touche enfoncée pendant 3 secondes pour accéder au mode menu.
L'heure s'affiche (ou 00:00).
2. Appuyez sur ✓ pour régler l'heure.
3. Appuyez sur ▲ ou sur ✖ pour modifier le numéro qui clignote. Appuyez sur ✓ pour accéder au chiffre suivant. Appuyez sur ◻ pour passer au chiffre précédent.

³ S'affiche lorsque le dongle de communication Hach est installé.

Section 6 Exécution d'un test

▲ DANGER



Dangers chimiques ou biologiques. Si cet instrument est utilisé pour la surveillance d'un procédé de traitement et/ou d'un système de dosage de réactifs chimiques auxquels s'appliquent des limites réglementaires et des normes de surveillance motivées par des préoccupations de santé et de sécurité publiques ou de fabrication et de transformation d'aliments ou de boissons, il est de la responsabilité de l'utilisateur de cet instrument qu'il connaisse et applique les normes en vigueur et qu'il ait à sa disposition suffisamment de mécanismes pour s'assurer du bon respect de ces normes dans l'éventualité d'un dysfonctionnement de l'appareil.

▲ DANGER



Risque d'exposition chimique. Respectez les procédures de sécurité du laboratoire et portez tous les équipements de protection personnelle adaptés aux produits chimiques que vous manipulez. Consultez les fiches de données de sécurité (MSDS/SDS) à jour pour connaître les protocoles de sécurité applicables.

▲ ATTENTION



Risque d'exposition chimique. Mettez au rebut les substances chimiques et les déchets conformément aux réglementations locales, régionales et nationales.


Étapes génériques pour exécuter un suivi de test.


Pour réaliser un test d'un paramètre spécifique (p. ex., le chlore), téléchargez la procédure de test sur le site Web du fabricant.

Reportez-vous à [Téléchargement d'une procédure de test](#) à la page 61.

1. Appuyez sur ▲ pour sélectionner la plage de mesure applicable (p. ex., LR ou HR).
2. Préparez le blanc. Reportez-vous à la procédure de test.
3. Nettoyez la cuve à échantillon à l'aide d'un chiffon non pelucheux.
4. Insérez la cuve à échantillon blanc dans le porte-cuve. Assurez-vous d'installer la cuve à échantillon blanc correctement et dans

une orientation toujours identique pour obtenir des résultats plus répétables et précis. Reportez-vous à la [Figure 5](#).

5. Placez le capuchon de l'instrument sur le porte-cuve. Reportez-vous à la [Figure 6](#).
6. Appuyez sur  pour étalonner le zéro de l'instrument.
7. Retirez la cuve à échantillon de blanc.
8. Préparez l'échantillon. Reportez-vous à la procédure de test.
9. Nettoyez la cuve à échantillon à l'aide d'un chiffon non pelucheux.
10. Insérez la cuve d'échantillon dans le porte-cuve. Assurez-vous d'installer la cuve à échantillon correctement et dans une orientation toujours identique pour obtenir des résultats plus répétables et précis. Reportez-vous à la [Figure 5](#).
11. Placez le capuchon de l'instrument sur le porte-cuve. Reportez-vous à la [Figure 6](#).

12. Appuyez sur . L'écran affiche les résultats en termes d'unités de concentration ou d'absorbance.

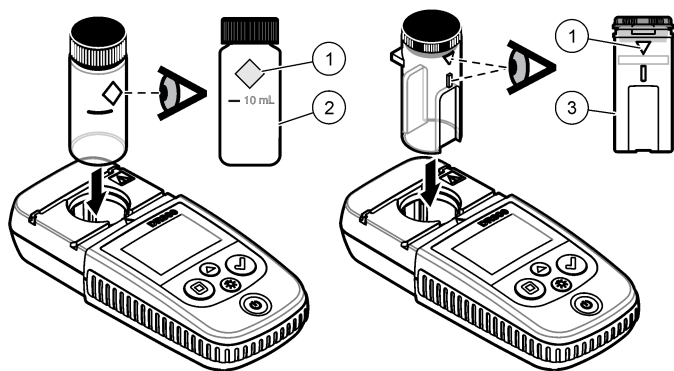
Remarque : le résultat clignote si celui-ci est inférieur ou supérieur à la plage de l'instrument.

13. Retirez la cuve à échantillon du porte-cuve.

14. Videz et rincez immédiatement la cuve à échantillon. Rincez trois fois la cuve à échantillon et le capuchon avec de l'eau déionisée (ou de l'eau distillée).

Remarque : Vous pouvez également utiliser l'eau du robinet pour rincer la cuve à échantillon, si les échantillons mesurés présentent une concentration plus élevée que l'eau du robinet.

Figure 5 Orientation de la cuve à échantillon



1 Repère d'orientation⁴

2 Cuve à échantillon, 25 mm (10 mL), en verre⁵

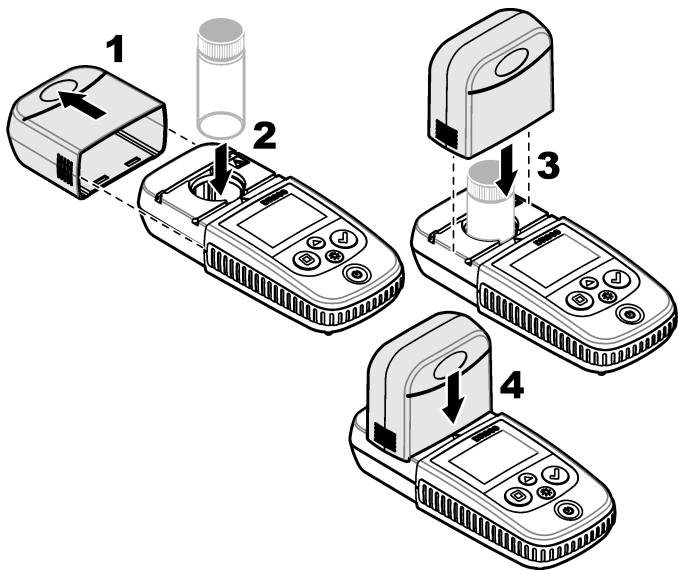
3 Cuve à échantillon, 1 cm (10 mL), en plastique⁶

⁴ Certains modèles disposent de cuves à échantillon sans repère d'orientation.

⁵ Utilisez la cuve à échantillon en verre pour les tests de chlore dans la plage basse.

⁶ Utilisez la cuve à échantillon en plastique pour les tests de chlore dans la plage haute.

Figure 6 Installation du capuchon de l'instrument sur le porte-cuve



6.1 Téléchargement d'une procédure de test

1. Rendez-vous sur <http://www.hach.com>.
2. Saisissez « DR300 » dans la barre de recherche.
3. Sélectionnez l'option "Téléchargements" sur le côté gauche dans la case "Recherche type".
4. Faites défiler jusqu'à « Méthodes et procédures ».
5. Cliquez sur le lien pour télécharger la procédure de test applicable.

Section 7 Affichage des mesures

Remarque : L'instrument enregistre jusqu'à 50 mesures. Une fois les 50 mesures effectuées, de nouvelles mesures remplacent les mesures les plus anciennes.

1. Appuyez sur ▲ et maintenez la touche enfoncée pendant 3 secondes.
 2. Appuyez sur ▲ jusqu'à ce que « rCL » (Rappel) s'affiche, puis sur ✓.
« - 01 - » s'affiche. La mesure 01 est la dernière mesure effectuée.
 3. Appuyez sur ✓ pour faire défiler.
Le numéro de mesure est suivi de la valeur mesurée, puis de l'heure.
 4. Pour afficher le numéro de mesure, appuyez sur ✓ jusqu'à ce qu'un numéro de mesure s'affiche, puis appuyez sur ▲ ou sur ☼.
- Remarque :** Les mesures ne peuvent pas être supprimées.
5. Appuyez sur ▲ et maintenez la touche enfoncée pendant 3 secondes pour revenir au mode mesure.

Section 8 Etalonnage

L'instrument est étalonné en usine. Aucun étalonnage ne doit être effectué par l'utilisateur.

8.1 Ajustement de l'étalonnage

Utilisez l'option d'ajustement de l'étalonnage (SCA) lorsqu'un étalonnage doit être ajusté pour répondre aux exigences réglementaires. L'étalonnage d'usine s'ajuste légèrement avec l'option d'ajustement de l'étalonnage (SCA), de sorte que l'instrument affiche la valeur attendue de la solution étalon. L'étalonnage ainsi ajusté est ensuite utilisé pour tous les résultats d'analyse. Cet ajustement peut augmenter la précision de l'analyse en cas de légères variations au niveau des réactifs ou des instruments.

Remarque : Pour les instruments possédant des plages ou des méthodes étalonnées en usine, la fonction d'ajustement de l'étalonnage (SCA) est désactivée lorsqu'une saisie utilisateur est entrée dans l'instrument. Pour réactiver la fonction SCA, réglez l'instrument sur l'étalonnage d'usine par défaut. Reportez-vous à la [Réglage de l'étalonnage par défaut](#) à la page 67.

8.1.1 Exécution d'un ajustement de l'étalonnage

1. Effectuez la procédure de test pour la plage à étalonner. Pour l'échantillon, utilisez la concentration de solution étalon indiquée dans la documentation sur la procédure de test.

Remarque : Si la concentration de solution étalon n'est pas indiquée dans la documentation sur la procédure de test, un autre étalon connu peut être utilisé.

2. Une fois la procédure de test terminée, appuyez sur ▲ et maintenez la touche enfoncée pendant 3 secondes.
3. Appuyez sur ▲ jusqu'à ce que « SCA » s'affiche, puis sur ✓. L'écran affiche la valeur de l'ajustement de l'étalonnage.
4. Si vous utilisez un autre étalon connu, saisissez sa valeur :
 - a. Appuyez sur ▲ jusqu'à ce que « Edit » (Modifier) s'affiche, puis sur ✓.
 - b. Saisissez la valeur de l'étalon.
Appuyez sur ▲ ou sur ☼ pour modifier le numéro qui clignote. Appuyez sur ✓ pour accéder au chiffre suivant. Appuyez sur □ pour passer au chiffre précédent.
5. Appuyez sur ✓ pour ajouter la valeur de l'ajustement de l'étalonnage à la courbe d'étalonnage d'usine.

8.1.2 Désactivation de l'ajustement de l'étalonnage

Pour utiliser l'étalonnage par défaut, désactivez l'ajustement de l'étalonnage (SCA).

1. Appuyez sur ▲ et maintenez la touche enfoncée pendant 3 secondes pour accéder au mode menu.
2. Appuyez sur ▲ jusqu'à ce que « SCA » s'affiche, puis sur ✓.
3. Appuyez sur ▲ jusqu'à ce que « OFF » (Désactivé) s'affiche, puis sur ✓.

Remarque : Pour réactiver la fonction de SCA, ajustez l'étalonnage.

8.2 Etalonnage saisi par l'utilisateur courbe

Cet instrument prend en charge les courbes d'étalonnage préparé par l'utilisateur. La courbe d'étalonnage peut aller de 0 à 2,5 Abs. Assurez-

vous que la courbe d'étalonnage comprend les valeurs d'étalon inférieures ou supérieures à la plage qui vous intéresse.

La plage de l'instrument correspond à la plage d'étalonnage. Par exemple, lorsque les étalons utilisés sont 1, 2 et 4, la plage de l'instrument est 1 à 4.

Il existe deux options pour saisir une courbe d'étalonnage utilisateur :

- **Saisie d'une courbe d'étalonnage avec des étalons** — Les valeurs de solution étalon sont saisies avec le clavier et les valeurs d'absorbance sont mesurées.
- **Saisie d'une courbe d'étalonnage avec le clavier** — Les valeurs de solution étalon et d'absorbance sont saisies avec le clavier.

Remarque : Si l'instrument est déjà éteint ou s'il est mis hors tension avant la saisie d'une courbe d'étalonnage utilisateur, la courbe d'étalonnage n'est pas enregistrée. L'instrument s'éteint automatiquement en mode de saisie d'étalonnage utilisateur après 60 minutes d'inactivité. Les étalonnages saisis par l'utilisateur sont effectués lorsque l'utilisateur quitte le mode d'étalonnage (cal) ou le mode de modification.

8.2.1 Saisie d'une courbe d'étalonnage avec des étalons

▲ AVERTISSEMENT



Risque d'exposition chimique. Respectez les procédures de sécurité du laboratoire et portez tous les équipements de protection personnelle adaptés aux produits chimiques que vous manipulez. Consultez les fiches de données de sécurité (MSDS/SDS) à jour pour connaître les protocoles de sécurité applicables.

▲ ATTENTION



Risque d'exposition chimique. Mettez au rebut les substances chimiques et les déchets conformément aux réglementations locales, régionales et nationales.

Remarque : Une autre solution consiste à utiliser l'eau déionisée pour le blanc, sauf si l'échantillon est beaucoup plus trouble ou plus coloré que l'eau déionisée.

1. Appuyez sur ▲ pour régler l'instrument sur la plage à étalonner (p. ex., LR ou HR).
2. Préparez le blanc. Reportez-vous à la procédure de test.
3. Nettoyez la cuve à échantillon à l'aide d'un chiffon non pelucheux.
4. Etalonnez le zéro de l'instrument.
 - a. Insérez la cuve à échantillon de blanc dans le porte-cuve.
 - b. Placez le capuchon de l'instrument sur le porte-cuve.
 - c. Appuyez sur □. L'écran affiche « - - - », puis « 0.00 ».
5. Appuyez sur ▲ et maintenez la touche enfoncée pendant 3 secondes pour accéder au mode menu.
6. Appuyez sur ▲ jusqu'à ce que « USEr » (UTILISATEUR) s'affiche, puis sur ✓.
7. Appuyez sur ▲ jusqu'à ce que « CAL » s'affiche, puis sur ✓.
8. Lorsque « S0 » s'affiche à l'écran, appuyez sur ✓.
9. Saisissez 00.00 (ou 000.0) pour la valeur du blanc.

Appuyez sur ▲ ou sur ☼ pour modifier le numéro qui clignote.
Appuyez sur ✓ pour accéder au chiffre suivant. Appuyez sur □ pour passer au chiffre précédent.
10. Lorsque « A0 » s'affiche à l'écran, appuyez sur ✓ pour mesurer l'absorbance du blanc.

L'écran affiche la valeur d'absorbance pour « S0 ».
11. Retirez la cuve à échantillon du porte-cuve.
12. Préparez l'échantillon. Reportez-vous à la procédure de test. Pour l'échantillon, utilisez la concentration de solution étalon indiquée dans la documentation sur la procédure de test.
13. Nettoyez la cuve à échantillon à l'aide d'un chiffon non pelucheux.
14. Appuyez sur ☼ pour afficher « S1 » (ou « Add » [Ajouter]), puis appuyez sur ✓.
15. Entrez la valeur de la concentration du premier étalon, puis appuyez sur ✓.

16. Lorsque « A1 » s'affiche à l'écran, procédez comme suit pour mesurer l'absorbance :
 - a. Insérez la cuve à échantillon de l'étalon soumis à réaction dans le porte-cuve.
 - b. Placez le capuchon de l'instrument sur le porte-cuve.
 - c. Appuyez sur ✓. L'écran affiche la valeur d'absorbance pour « S1 ».
17. L'étalonnage est terminé et comprend deux points d'étalonnage. Si des étalons supplémentaires sont nécessaires pour l'étalonnage : Effectuez à nouveau les étapes 11 - 16 pour mesurer plus d'étalons.
18. Retirez la cuve à échantillon du porte-cuve.
19. Videz et rincez immédiatement la cuve à échantillon. Rincez trois fois la cuve à échantillon et le capuchon avec de l'eau déionisée (ou de l'eau distillée).

Remarque : Vous pouvez également utiliser l'eau du robinet pour rincer la cuve à échantillon, si la concentration du paramètre dans l'eau du robinet est moins élevée que celle des échantillons mesurés.
20. Appuyez sur ▲ et maintenez la touche enfoncée pendant 3 secondes pour revenir au mode mesure.

8.2.2 Saisie d'une courbe d'étalonnage avec le clavier

Au moins deux paires de données sont nécessaires pour saisir une courbe d'étalonnage préparé par l'utilisateur. Une valeur de concentration et la valeur d'absorbance pour la concentration indiquée sont nécessaires pour chaque paire de données. Il est possible de saisir 10 paires de données au maximum.

1. Appuyez sur ▲ pour régler l'instrument sur la plage à étalonner (p. ex., LR ou HR).
2. Appuyez sur ▲ et maintenez la touche enfoncée pendant 3 secondes pour accéder au mode menu.
3. Appuyez sur ▲ jusqu'à ce que « USEr » (UTILISATEUR) s'affiche, puis sur ✓.
4. Appuyez sur ▲ jusqu'à ce que « Edit » (Modifier) s'affiche, puis sur ✓.
5. Lorsque « S0 » s'affiche à l'écran, appuyez sur ✓.

6. Saisissez la première paire de données.
La première paire de données est S0 (valeur de concentration) et A0 (valeur d'absorbance).
 - Appuyez sur ▲ ou ☼ pour modifier le numéro qui clignote.
 - Appuyez sur ✓ pour accéder au chiffre suivant.
 - Appuyez sur □ pour passer au chiffre précédent.
7. Effectuez à nouveau les étapes 5 et 6 pour saisir la seconde paire de données (S1 et A1).
8. L'étalonnage est terminé et comprend deux paires de données. Si des paires de données supplémentaires sont nécessaires pour l'étalonnage :
 - a. Lorsque « Add » (Ajouter) s'affiche, appuyez sur ✓.
 - b. Effectuez à nouveau les étapes 5 et 6 pour saisir d'autres paires de données.
9. Appuyez sur ▲ et maintenez la touche enfoncée pendant 3 secondes pour revenir au mode mesure.

8.2.3 Réglage de l'étalonnage par défaut

Pour supprimer de l'instrument la courbe d'étalonnage saisie par l'utilisateur et utiliser l'étalonnage d'usine, procédez comme suit :

1. Appuyez sur ▲ et maintenez la touche enfoncée pendant 3 secondes pour accéder au mode menu.
2. Appuyez sur ▲ jusqu'à ce que « USEr » (UTILISATEUR) s'affiche, puis sur ✓.
3. Appuyez sur ▲ jusqu'à ce que « dFL » (Par défaut) s'affiche, puis sur ✓.

Section 9 Maintenance

▲ ATTENTION



Dangers multiples. Seul le personnel qualifié doit effectuer les tâches détaillées dans cette section du document.

AVIS

Ne pas démonter l'appareil pour entretien. Si les composants internes doivent être nettoyés ou réparés, contacter le fabricant.

9.1 Nettoyage de l'instrument

Nettoyez l'extérieur de l'instrument avec un chiffon humide, puis essuyez l'instrument en ne laissant aucune trace d'humidité.

9.2 Nettoyage des cuves d'échantillon

▲ ATTENTION



Risque d'exposition chimique. Respectez les procédures de sécurité du laboratoire et portez tous les équipements de protection personnelle adaptés aux produits chimiques que vous manipulez. Consultez les fiches de données de sécurité (MSDS/SDS) à jour pour connaître les protocoles de sécurité applicables.



▲ ATTENTION



Risque d'exposition chimique. Mettez au rebut les substances chimiques et les déchets conformément aux réglementations locales, régionales et nationales.

La plupart des détergents de la laboratoires s'utilisent aux concentrations recommandées. Les détergents neutres, par exemple le Liquinox, sont plus sûrs quand un nettoyage régulier est nécessaire. Pour réduire le temps de nettoyage, augmentez la température ou utilisez un bain à ultrasons. Pour terminer le nettoyage, rincez plusieurs fois à l'eau déionisée, puis laissez sécher la cuve à échantillon à l'air.

Les cuves à échantillon peuvent également être nettoyées à l'acide, avant d'être rincées soigneusement à l'eau déionisée.



Remarque : *Toujours utiliser de l'acide pour nettoyer les cuves à échantillon destinées aux essais de basse teneur en métaux.*

Des méthodes de nettoyage spécifiques sont nécessaires pour certaines procédures. En cas d'utilisation d'une brosse pour nettoyer les cuves à échantillon, veillez à ne pas rayer la surface intérieure des cuves.

9.3 Remplacement des piles

Remplacez les piles lorsque le niveau d'autonomie est faible. Reportez-vous à la section [Installation des piles](#) à la page 54.


Section 10 Dépannage

| Erreur | Description | Solution |
|--------|---|--|
| E-00 | Pas de zéro | En mode d'étalonnage par l'utilisateur, une solution étalon a été mesurée avant l'étalonnage du zéro de l'instrument. Mesurez une solution de blanc pour étalonner le zéro de l'instrument. |
| E-01 | Erreur de lumière ambiante ⁷ | La lumière ambiante s'infiltré dans le porte-cuve. Assurez-vous que le capuchon de l'instrument est parfaitement placé sur le porte-cuve. Reportez-vous à Exécution d'un test à la page 58. |
| E-02 | Erreur de LED ⁷ | La DEL (source lumineuse) n'est pas réglementaire. Remplacez les piles. Assurez-vous que la DEL située dans le porte-cuve s'allume lorsque vous appuyez sur  ou  . |

⁷ Lorsqu'une erreur E-01 ou E-02 se produit au niveau d'une mesure, l'écran affiche « ». La place de la décimale dépend de la chimie. Si une erreur E-01 ou E-02 se produit pendant l'étalonnage du zéro de l'instrument, effectuez à nouveau cette opération d'étalonnage du zéro.

| Erreur | Description | Solution |
|--------------------------------------|---|--|
| E-03 | Erreur d'ajustement de l'étalon | <ul style="list-style-type: none"> • La valeur mesurée de la solution étalon est supérieure aux limites d'ajustement. Préparez un nouvel étalon. • La solution étalon n'est pas comprise dans la plage de concentration pouvant être utilisée pour l'ajustement de l'étalon. Préparez un étalon dont la valeur est égale ou quasiment égale aux concentrations recommandées indiquées dans la procédure. • Assurez-vous que la concentration de la solution étalon est saisie correctement. |
| La mesure clignote et E-04 s'affiche | La mesure est supérieure ou inférieure à la plage de l'instrument. ⁸ | Si la mesure est inférieure à la plage de l'instrument, assurez-vous que le capuchon de l'instrument est parfaitement installé sur le porte-cuve. Mesurez un blanc. Si la mesure du blanc n'est pas égale à zéro, étalonnez à nouveau le zéro de l'instrument. |
| | | Si la mesure est supérieure à la plage de l'instrument, vérifiez toute occultation de lumière dans le porte-cuve. Diluez l'échantillon. Effectuez à nouveau le test. |
| E-06 | Erreur d'absorbance | La valeur d'absorbance est incorrecte ou la courbe d'étalonnage saisie par l'utilisateur présente moins de deux points. Saisissez ou mesurez à nouveau la valeur d'absorbance. |
| E-07 | Erreur de valeur d'étalon | La concentration de la solution étalon est égale à une autre concentration de solution étalon déjà saisie dans la courbe d'étalonnage saisie par l'utilisateur. Saisissez la concentration d'étalon correcte. |

⁸ La valeur qui clignote est 10 % supérieure à la limite haute de la plage de test.

| Erreur | Description | Solution |
|---|---|---|
| E-09 | Erreur de clignotement | L'instrument n'est pas en mesure d'enregistrer les données. Appuyez sur  et maintenez la touche enfoncée pendant 5 secondes pour réinitialiser l'instrument. |
| E-10 | Température ambiante trop haute ou trop basse | La température ambiante est en dehors de la plage. Utilisez l'appareil uniquement dans les conditions de fonctionnement spécifiées. Reportez-vous à Caractéristiques techniques à la page 49. |
| E-12 | Les piles sont faibles. | Le niveau de charge des piles est trop faible. Remplacez les piles. Reportez-vous à Installation des piles à la page 54. |
| E-13 | Echec du chargement des paramètres | La mémoire de l'appareil est défectueuse. Contactez l'assistance technique. |
| E-14 suivi de « _._ » ou « 0 » si aucun étalonnage du zéro n'a été effectué | Mesure du zéro non valide | La mesure du zéro est trop faible. Utilisez une cuve à échantillon remplie d'eau, puis réessayez. Si le problème persiste, contactez l'assistance technique. |
| E-15 suivi de « _._ » | Absorbance trop élevée | Vérifiez que la lumière dans le porte-cuve n'est pas occultée. Nettoyez le porte-cuve. Diluez l'échantillon. Effectuez à nouveau le test. Remarque : Cet appareil ne peut pas lire les valeurs d'absorbance supérieures à 3,5 Abs. |
| E-20 | Mesure de signal hors plage | La luminosité sur le détecteur de lumière est excessive. Assurez-vous que le capuchon de l'instrument est parfaitement placé sur le porte-cuve. Effectuez à nouveau le test. Si le problème persiste, contactez l'assistance technique. |

| Erreur | Description | Solution |
|--------|---------------------------|---|
| E-21 | Mesure de signal instable | Le détecteur de lumière capte un signal instable. La lumière ambiante est instable ou excessive. Assurez-vous que le capuchon de l'instrument est parfaitement placé sur le porte-cuve. Effectuez à nouveau le test. Si le problème persiste, contactez l'assistance technique. |
| E-22 | Erreur matérielle | Le système électronique est défaillant. Contactez l'assistance technique. |

Les erreurs suivantes peuvent se produire immédiatement après la mise à jour de l'appareil.

| Erreur | Description | Solution |
|--------|--|---|
| E-30 | Aucune application | Une erreur s'est produite lors de la mise à jour de l'application. Aucune application valide n'a été trouvée pour l'appareil. Effectuez à nouveau la mise à jour de l'appareil. |
| E31 | Echec de la mise à jour du logiciel d'amorçage | Une erreur s'est produite lors du transfert de la mise à jour du logiciel d'amorçage. Effectuez à nouveau la mise à jour du logiciel d'amorçage. |
| E-32 | Echec de la mise à jour de l'application | Une erreur s'est produite lors du transfert de la mise à jour de l'application. Effectuez à nouveau la mise à jour de l'appareil. |
| E-66 | Echec de la mise à jour | L'appareil est défectueux. Contactez l'assistance technique. |

Section 11 Pièces de rechange et accessoires

▲ AVERTISSEMENT



Risque de blessures corporelles. L'utilisation de pièces non approuvées comporte un risque de blessure, d'endommagement de l'appareil ou de panne d'équipement. Les pièces de rechange de cette section sont approuvées par le fabricant.

Remarque : Les numéros de référence de produit et d'article peuvent dépendre des régions de commercialisation. Prenez contact avec le distributeur approprié ou consultez le site web de la société pour connaître les personnes à contacter.

Pièces de rechange

| Description | Quantité | Article n° |
|--|----------|-----------------|
| Piles AAA, alcalines | Lot de 4 | 4674300 |
| Capuchon de l'instrument | 1 | LPZ445.99.00006 |
| Capot des piles | 1 | LPZ445.99.00007 |
| Cuve à échantillon, 25 mm (10 mL), en verre | Lot de 6 | 2427606 |
| Cuve à échantillon, 1 cm (10 mL), en plastique | Lot de 2 | 4864302 |

Accessoires

| Description | Quantité | Article n° |
|------------------------------|----------|-----------------|
| Dongle de communication Hach | 1 | LPV446.99.00012 |
| Boîtier/étui souple | 1 | 5953100 |

Índice

- | | | | | | |
|---|----------------------------------|--------------|----|---------------------------------|--------------|
| 1 | Especificações | na página 74 | 7 | Exibir medições | na página 86 |
| 2 | Informações gerais | na página 75 | 8 | Calibração | na página 86 |
| 3 | Instalar as baterias | na página 79 | 9 | Manutenção | na página 91 |
| 4 | Interface do usuário e navegação | na página 80 | 10 | Solução de problemas | na página 93 |
| 5 | Definir a hora | na página 81 | 11 | Peças e acessórios de reposição | na página 96 |
| 6 | Fazer um teste | na página 82 | | | |

Seção 1 Especificações

As especificações estão sujeitas a alterações sem aviso prévio.

| Especificação | Detalhes |
|------------------------------|--|
| Dimensões (L x A x P) | 6.9 x 15.7 x 3.4 cm (2.7 x 6.2 x 1.3 pol.) |
| Caixa | IP67, à prova d'água a 1 m (3,3 pés) por 30 minutos quando o compartimento da bateria está fechado e travado. |
| Fonte de luz | Diodo emissor de luz (LED) |
| Detector | Fotocélula |
| Tela | LCD com luz de fundo |
| Peso | 0.25 kg (0.55 lb) |
| Alimentação elétrica | 4 baterias AAA; vida útil aproximada para 5000 testes (o uso da luz de fundo reduz esse número) Baterias recarregáveis não são recomendáveis. |
| Ambiente operacional | 0 °C a 50 °C (32 a 122 °F), 0 a 90% de umidade relativa, sem condensação |
| Temperatura de armazenamento | -20 °C a 55 °C (-4 °F a 131 °F), 0 a 80% de umidade relativa, sem condensação |
| Verificação do | Comprimento de onda fixo de ± 2 nm, diferente para cada modelo |
| Largura de banda do filtro | 15 nm |
| Faixa de absorvência | 0 a 2,5 Abs |
| Célula de amostra | 25 mm (10 mL) e 1 cm (10 mL) |

| Especificação | Detalhes |
|-------------------------|---|
| Armazenamento de dados | 50 últimas medições |
| Bluetooth® ¹ | O Bluetooth® é ligado quando o Dongle de comunicação Hach opcional é instalado. |
| Certificações | CE |
| Garantia | 1 ano (UE: 2 anos) |

Seção 2 Informações gerais

Em hipótese alguma o fabricante será responsável por danos diretos, indiretos, especiais, incidentais ou consequenciais resultantes de qualquer defeito ou omissão neste manual. O fabricante reserva-se o direito de fazer alterações neste manual e nos produtos aqui descritos a qualquer momento, sem aviso ou obrigação. As edições revisadas podem ser encontradas no site do fabricante.

2.1 Informações de segurança

O fabricante não é responsável por quaisquer danos devido ao uso ou aplicação incorreta deste produto, incluindo, sem limitação, danos diretos, acidentais ou consequenciais, e se isenta desses danos à extensão total permitida pela lei aplicável. O usuário é unicamente responsável por identificar riscos críticos de aplicação e por instalar os mecanismos apropriados para proteger os processos durante um possível mau funcionamento do equipamento.

Leia todo o manual antes de tirar da embalagem, montar ou operar esse equipamento. Preste atenção a todas as declarações de perigo e cuidado. Caso contrário, o operador poderá sofrer ferimentos graves ou o equipamento poderá ser danificado.

Certifique-se de que a proteção oferecida por este equipamento não seja afetada. Não use nem instale este equipamento de nenhuma outra forma além da especificada neste manual.

¹ A marca e os logotipos Bluetooth® são marcas registradas de propriedade da Bluetooth SIG, Inc. e qualquer uso de tais marcas pela HACH é feito sob licença.

2.1.1 Uso de informações de risco

▲ PERIGO

Indica uma situação potencial ou iminente perigosa que, se não for evitada, resultará em morte ou lesão grave.

▲ ADVERTÊNCIA

Indica uma situação potencialmente perigosa que, se não for evitada, pode resultar em morte ou ferimento grave.

▲ CUIDADO



Indica uma situação potencialmente perigosa que pode resultar em ferimento leve a moderado.

AVISO

Indica uma situação que, se não evitada, pode causar danos ao instrumento. Informações que necessitam de uma ênfase especial.

2.1.2 Avisos de precaução

Leia todas as etiquetas e rótulos fixados no instrumento. Caso não sejam observados, podem ocorrer lesões pessoais ou danos ao instrumento. Um símbolo no instrumento tem sua referência no manual com uma medida preventiva.

| | |
|---|---|
|  | Este símbolo, se observado no instrumento, diz respeito ao manual de instruções para operação e/ou informações de segurança. |
|  | O equipamento elétrico marcado com este símbolo não pode ser descartado em sistemas de descarte público ou doméstico europeus. Devolva equipamentos antigos ou no final da vida útil para o fabricante para descarte, sem custo adicional para o usuário. |

2.1.3 Certificação

Canadian Radio Interference-Causing Equipment Regulation (Regulamentação para equipamentos de rádio causadores de interferência do Canadá), IECS-003, Classe B:

Os registros de testes de comprovação encontram-se com o fabricante.

Este aparelho digital Classe B atende a todos os requisitos de Regulamentações canadenses sobre equipamentos que causam interferências.

Cet appareil numérique de classe B répond à toutes les exigences de la réglementation canadienne sur les équipements provoquant des interférences.

FCC parte 15, limites Classe "B"

Os registros de testes de comprovação encontram-se com o fabricante. O dispositivo está em conformidade com a Parte 15 das Regras da FCC. A operação está sujeita às seguintes condições:

1. O equipamento não deve causar interferência prejudicial.
2. O equipamento deve aceitar todas as interferências recebidas, inclusive interferências que podem causar funcionamento indesejado.

Alterações ou modificações a este equipamento não aprovadas expressamente pela parte responsável pela conformidade podem anular a autoridade do usuário de operar o equipamento. Este equipamento foi testado e está em conformidade com os limites de dispositivo digital Classe B, de acordo com a Parte 15 das Regras da FCC. Esses limites foram estabelecidos para proporcionar uma razoável proteção contra interferências nocivas quando o equipamento for operado em ambientes comerciais. Este equipamento gera, utiliza e pode irradiar energia de radiofrequência e, se não instalado e usado de acordo com o manual de instruções, poderá causar interferências prejudiciais às comunicações de rádio. É provável que o funcionamento deste equipamento em área residencial possa causar interferência indesejada, caso em que o usuário será solicitado a corrigir a interferência por conta própria. As seguintes técnicas podem ser usadas para reduzir problemas de interferência:

1. Afaste o equipamento do dispositivo que estiver recebendo a interferência.
2. Reposicione a antena de recebimento do dispositivo que está sofrendo interferência.
3. Tente algumas combinações das opções acima.

2.2 Visão geral do produto

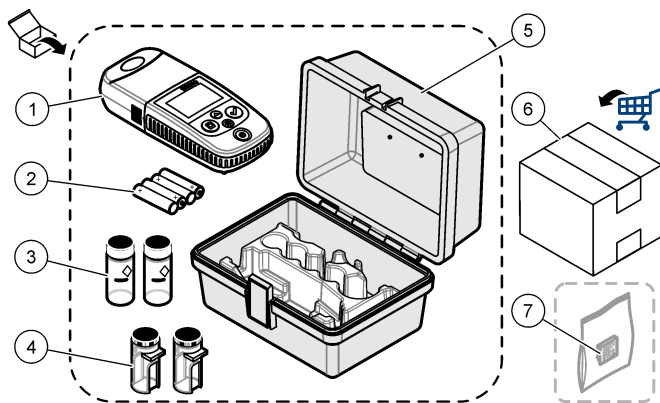
Este instrumento é um fotômetro com filtro portátil usado para testar água.

Observação: Este instrumento não foi avaliado para medir cloro e cloraminas em aplicações médicas dos Estados Unidos.

2.3 Componentes do produto

Certifique-se de que todos os componentes foram recebidos. Consulte [Figura 1](#). Se houver itens ausentes ou danificados, entre em contato imediatamente com o fabricante ou com um representante de vendas. A [Figura 1](#) é um exemplo e mostra as peças fornecidas com LPV445.99.00110. Outros instrumentos são fornecidos com componentes diferentes.

Figura 1 Componentes do produto



| | |
|--|--|
| 1 DR 300 | 5 Caixa de armazenamento |
| 2 Pilhas alcalinas AAA | 6 Reagentes |
| 3 Células de amostra, 25 mm (10 mL), vidro | 7 Dongle de comunicação Hach (opcional, fornecido separadamente) |
| 4 Células de amostra, 1 cm (10 mL), plástico | |

Seção 3 Instalar as baterias

⚠ ADVERTÊNCIA



Perigo de explosão. A instalação incorreta das baterias pode causar liberação de gases explosivos. As baterias devem ser do mesmo tipo químico aprovado e ser inseridas com a orientação correta. Não misture baterias novas com antigas.


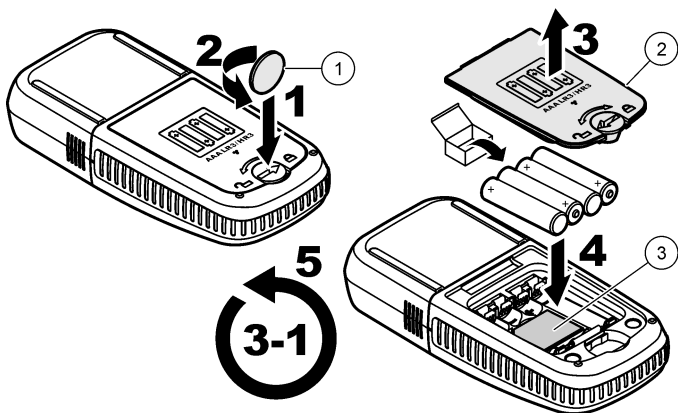
Consulte a [Figura 2](#) para instalar as pilhas. Em seguida, pressione  para ligar o instrumento.

Figura 2 Instalar as baterias



1 Tipo moeda

2 Tampa da bateria

3 Inseto de plástico para o dongle²

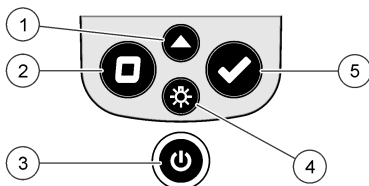
² Apenas remova o inserto de plástico para instalar o Dongle de comunicação Hach. Consulte as instruções de instalação fornecidas com o dongle.

Seção 4 Interface do usuário e navegação

4.1 Descrição do teclado numérico

Figura 3 exibe o teclado e disponibiliza as funções das teclas.

Figura 3 Teclado

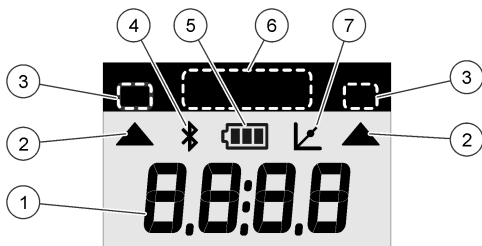


| | |
|--|--|
| <p>1 Tecla Faixa: seleciona a faixa de medição (por exemplo, LR ou HR). Pressione e segure por 3 segundos para entrar ou sair do modo de menu.</p> <p>No modo de menu, rola para cima ou aumenta o valor do dígito selecionado.</p> | <p>4 Tecla Luz de fundo: acende/apaga a luz de fundo. No modo de menu, rola para baixo ou diminui o valor do dígito selecionado.</p> |
| <p>2 Tecla Neutro: define o valor como neutro antes de uma medição. No modo de menu, retorna um nível de menu ou move o cursor para o dígito anterior.</p> | <p>5 Tecla Ler: inicia uma amostra de medição. No modo de menu, seleciona a opção do menu exibido ou move o cursor para o próximo dígito.</p> |
| <p>3 Tecla Power: liga/desliga a energia. Pressione e segure por 5 segundos para reiniciar o instrumento. A calibração não é excluída.</p> | |

4.2 Descrição do visor

Figura 4 exibe os valores e ícones no visor.

Figura 4 Tela



| | |
|---|--|
| 1 Visor numérico: valor medido ou opções do menu | 5 Ícone de bateria: nível de energia da bateria. Pisca quando o nível de energia da bateria está baixo. |
| 2 Ícone de faixa: aponta para a faixa de medição selecionada | 6 Parâmetro e faixas de medição |
| 3 Faixas de medição ou parâmetros | 7 Ícone de calibração ajustada: a calibração padrão de fábrica foi inserida ou uma curva de calibração inserida pelo usuário. |
| 4 Ícone de Bluetooth®: o Bluetooth® está ligado ³ . | |

Seção 5 Definir a hora

Defina a hora (formato 24 horas).

1. Pressione e segure ▲ por 3 segundos para entrar no modo de menu.
A hora é exibida (ou 00:00).
2. Pressione ✓ para definir a hora.
3. Pressione ▲ ou ☀ para alterar o número que pisca. Pressione ✓ para ir até o próximo dígito. Pressione □ para ir até o dígito anterior.

³ Mostra quando o Dongle de comunicação Hach está instalado.

Seção 6 Fazer um teste

▲ PERIGO



Riscos químicos ou biológicos. Se esse instrumento for usado para monitorar um processo de tratamento e/ou sistema de alimentação química para o qual existam limites de regulamentação e requisitos de monitoramento relacionados à saúde pública, à produção ou ao processamento de alimentos ou bebidas, é responsabilidade do usuário deste instrumento conhecer e cumprir as regulamentações aplicáveis e ter mecanismos suficientes e apropriados para obter conformidade com as regulamentações aplicáveis no caso de mau funcionamento do instrumento.

▲ PERIGO



Risco de exposição a produtos químicos. Obedeça aos procedimentos de segurança laboratoriais e use todos os equipamentos de proteção individual adequados aos produtos químicos que estão sendo manipulados. Consulte as planilhas de dados de segurança (MSDS/SDS) atuais para verificar os protocolos de segurança.

▲ CUIDADO



Risco de exposição a produtos químicos. Descarte produtos químicos e dejetos de acordo com as regulamentações locais, regionais e nacionais.

Veja, a seguir, as etapas genéricas para fazer um teste.

Para fazer um teste para um determinado parâmetro (por exemplo, cloro), baixe o procedimento de teste do site do fabricante. Consulte [Baixar um procedimento de teste](#) na página 85.

1. Pressione ▲ para selecionar a faixa de medição aplicável (por exemplo, LR ou HR).
2. Prepare o branco. Consulte o procedimento de teste.
3. Limpe a célula de amostra com um pano sem fiapos.
4. Insira a célula de amostra branca no compartimento de células. Não se esqueça de instalar a célula de amostra branca em uma

orientação correta e consistente para que os resultados sejam mais repetíveis e precisos. Consulte [Figura 5](#).



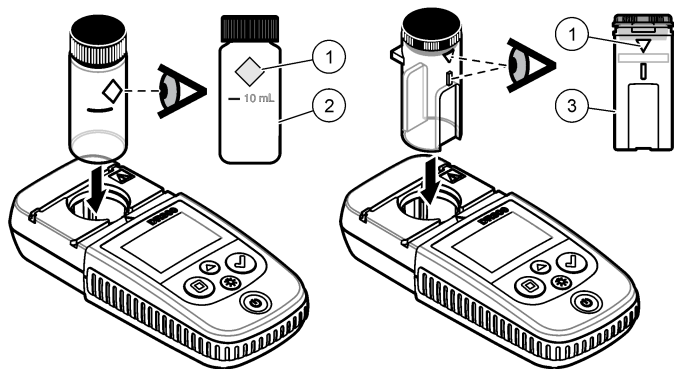
5. Instale a tampa do instrumento sobre o compartimento de células. Consulte [Figura 6](#).
6. Pressione  para definir o instrumento como neutro.
7. Remova a célula de amostra branca.
8. Prepare a amostra. Consulte o procedimento de teste.
9. Limpe a célula de amostra com um pano sem fiapos.
10. Insira a célula de amostra no compartimento de células. Não se esqueça de instalar a célula de amostra em uma orientação correta e consistente para que os resultados sejam mais repetíveis e precisos. Consulte [Figura 5](#).
11. Instale a tampa do instrumento sobre o compartimento de células. Consulte [Figura 6](#).
12. Pressione . O visor exibe os resultados em absorbância ou unidades de concentração.
Observação: *O resultado pisca quando é inferior ou superior à faixa do instrumento.*
13. Remova a célula de amostra do compartimento de célula.
14. Esvazie e lave imediatamente a célula de amostra. Lave a tampa e a célula de amostra três vezes com água deionizada (ou destilada).
Observação: *Como alternativa, utilize água da torneira para lavar a célula de amostra se as amostras medidas tiverem uma concentração mais alta do que a água da torneira.*

Figura 5 Orientação da cubeta de amostra



1 Marca de orientação⁴

2 Célula de amostra,
25 mm (10 mL),
vidro⁵

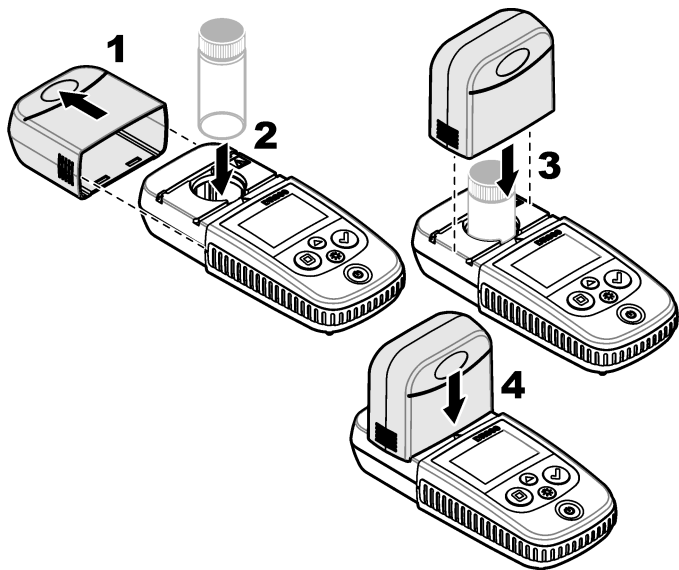
3 Célula de amostra,
1 cm (10 mL),
plástico⁶

⁴ Algumas variantes do instrumento têm células de amostra sem uma marca de orientação.

⁵ Utilize a célula de amostra de vidro para os testes de cloro de faixa baixa.

⁶ Utilize a célula de amostra de plástico para os testes de cloro de faixa alta.

Figura 6 Instale a tampa do instrumento sobre o compartimento de células



6.1 Baixar um procedimento de teste

1. Siga para <http://www.hach.com>.
2. Insira "DR300" na caixa de pesquisa.
3. Selecione a opção "Downloads" no lado esquerdo da caixa "Tipo de pesquisa".
4. Role até "Métodos/Procedimentos".
5. Clique no link correspondente ao procedimento de teste aplicável para baixá-lo.

Seção 7 Exibir medições

Observação: O instrumento salva, no máximo, 50 medições. Após a realização de 50 medições, novas medições substituem as medições mais antigas.

1. Mantenha pressionada a tecla ▲ por 3 segundos.
2. Pressione ▲ até que "rCL" (recuperar) seja exibido e pressione ✓.
"- 01 -" é exibido. A medição 01 é a última medição realizada.
3. Pressione ✓ para avançar.
O número da medição é seguido pelo valor da medição e depois pela hora.
4. Para acessar um número de medição, pressione ✓ até que um número de medição seja exibido e, em seguida, pressione ▲ ou ☼.
Observação: Não é possível excluir as medições.
5. Pressione e segure ▲ por 3 segundos para retornar ao modo de medição.

Seção 8 Calibração

Esse instrumento é calibrado na fábrica. O usuário não precisa calibrá-lo.

8.1 Ajuste de calibração padrão

Use a opção de ajuste de calibração padrão (SCA) quando for necessário ajustar a calibração para atender aos requisitos regulamentares. A calibração de fábrica é ajustada ligeiramente com a opção de ajuste de calibração padrão (SCA) para que o instrumento mostre o valor esperado da solução padrão. A calibração ajustada é usada, então, para todos os resultados do teste. Este ajuste pode aumentar a precisão do teste quando há pequenas variações nos reagentes ou instrumentos.

Observação: Para instrumentos com faixas ou métodos calibrados de fábrica, o recurso de ajuste de calibração padrão (SCA) é desativado quando uma calibração inserida pelo usuário é inserida no instrumento. Para reativar o SCA, defina o instrumento com a calibração padrão de fábrica. Consulte [Definir para a calibração padrão de fábrica](#) na página 91.

8.1.1 Fazer um ajuste de calibração padrão

1. Conclua o procedimento de teste para a faixa a ser calibrada. Para a amostra, utilize a concentração de solução padrão fornecida na documentação do procedimento de teste.

Observação: Se uma concentração de solução padrão não for fornecida na documentação do procedimento de teste, pode ser utilizado um padrão diferente conhecido.

2. Quando o procedimento de teste for concluído, pressione e segure ▲ por 3 segundos.
3. Pressione ▲ até que "SCA" seja exibido e pressione ✓.
O visor mostra o valor de ajuste de calibração padrão.
4. Se um padrão diferente conhecido for utilizado, insira o valor do padrão:
 - a. Pressione ▲ até que "Edit" (Editar) seja exibido e pressione ✓.
 - b. Insira o valor do padrão.
Pressione ▲ ou ☼ para alterar o número que pisca. Pressione ✓ para ir até o próximo dígito. Pressione □ para ir até o dígito anterior.
5. Pressione ✓ para adicionar o valor de ajuste de calibração padrão à curva de calibração de fábrica.

8.1.2 Definir o ajuste de calibração padrão para "off" (desligado)

Para usar a calibração padrão de fábrica novamente, defina o ajuste de calibração padrão (SCA) para "off" (desligado).

1. Pressione e segure ▲ por 3 segundos para entrar no modo de menu.
2. Pressione ▲ até que "SCA" seja exibido e pressione ✓.
3. Pressione ▲ até que "OFF" (DESLIGADO) seja exibido e pressione ✓.

Observação: Para definir a função de SCA para "on" (ligado) novamente, faça um ajuste de calibração padrão.

8.2 Curva de calibração inserida pelo usuário

Este instrumento aceita uma curva de calibração preparada pelo usuário. A curva de calibração pode ter absorvância de 0 a 2,5.

Verifique se a curva de calibração inclui valores padrão inferiores e superiores à faixa de interesse.

A faixa do instrumento será a mesma que a faixa de calibração. Por exemplo, quando os padrões usados são 1,00, 2,00 e 4,00, a faixa do instrumento é de 1,00 a 4,00.

Há duas opções para inserir uma curva de calibração do usuário:

- **Inserir uma curva de calibração com padrões**— os valores da solução padrão são inseridos com o teclado, e os valores de absorbância são medidos.
- **Inserir uma curva de calibração com o teclado**— os valores de absorbância e os valores da solução padrão são inseridos com o teclado.

Observação: Se o instrumento for desligado ou desconectado da energia antes da conclusão de uma curva de calibração inserida pelo usuário, a curva de calibração não será salva. O instrumento é desligado automaticamente no modo de entrada inserido pelo usuário após 60 minutos de inatividade. As calibrações inseridas pelo usuário são concluídas quando ele sai do modo de calibração (cal) ou do modo de edição.

8.2.1 Inserir uma curva de calibração com padrões

▲ ADVERTÊNCIA



Risco de exposição a produtos químicos. Obedeça aos procedimentos de segurança laboratoriais e use todos os equipamentos de proteção individual adequados aos produtos químicos que estão sendo manipulados. Consulte as planilhas de dados de segurança (MSDS/SDS) atuais para verificar os protocolos de segurança.

▲ CUIDADO



Risco de exposição a produtos químicos. Descarte produtos químicos e dejetos de acordo com as regulamentações locais, regionais e nacionais.

Observação: Como alternativa, a água deionizada pode ser usada no branco, a menos que a amostra seja significativamente mais turva ou tenha mais cor do que a água deionizada.

1. Pressione ▲ para definir o instrumento para a faixa a ser calibrada (por exemplo, LR ou HR).
2. Prepare o branco. Consulte o procedimento de teste.
3. Limpe a célula de amostra com um pano sem fiapos.
4. Defina o instrumento como neutro.
 - a. Insira a célula de amostra branca no compartimento de células.
 - b. Instale a tampa do instrumento sobre o compartimento de células.
 - c. Pressione □. O visor exibe "- - -" e "0.00".
5. Pressione e segure ▲ por 3 segundos para entrar no modo de menu.
6. Pressione ▲ até que "USER" (USUÁRIO) seja exibido e pressione ✓.
7. Pressione ▲ até que "CAL" seja exibido e pressione ✓.
8. Quando "S0" for exibido no visor, pressione ✓.
9. Insira 00,00 (ou 000,0) para o valor em branco.

Pressione ▲ ou ☼ para alterar o número que pisca. Pressione ✓ para ir até o próximo dígito. Pressione □ para ir até o dígito anterior.
10. Quando "A0" for exibido no visor, pressione ✓ para medir a absorbância do branco.

O visor exibe o valor de absorbância para "S0".
11. Remova a célula de amostra do compartimento de célula.
12. Prepare a amostra. Consulte o procedimento de teste. Para a amostra, utilize a concentração de solução padrão fornecida na documentação do procedimento de teste.
13. Limpe a célula de amostra com um pano sem fiapos.
14. Pressione ☼ para mostrar "S1" (ou "Add" (Adicionar)) e, em seguida, pressione ✓.
15. Insira o valor da concentração do padrão de calibração primeiro e, em seguida, pressione ✓.

16. Quando "A1" aparecer no visor, execute as etapas a seguir para medir a absorbância:
 - a. Insira a célula de amostra padrão com reação no compartimento de células.
 - b. Instale a tampa do instrumento sobre o compartimento de células.
 - c. Pressione ✓. O visor exibe o valor de absorbância para "S1".
17. A calibração é concluída com dois pontos de calibração. Caso sejam necessários padrões adicionais para a calibração:
Execute as etapas 11-16 novamente para medir mais padrões de calibração.
18. Remova a célula de amostra do compartimento de célula.
19. Esvazie e lave imediatamente a célula de amostra. Lave a tampa e a célula de amostra três vezes com água deionizada (ou destilada).
Observação: Como alternativa, se a concentração do parâmetro na água da torneira for menor do que as amostras medidas, é possível utilizar água da torneira para lavar a célula de amostra.
20. Pressione e segure ▲ por 3 segundos para retornar ao modo de medição.

8.2.2 Inserir uma curva de calibração com o teclado

Ao menos dois pares de dados são necessários para inserir uma curva de calibração preparada pelo usuário. São necessários um valor de concentração e o valor de absorbância da concentração especificada para cada par de dados. É possível inserir até 10 pares de dados.

1. Pressione ▲ para definir o instrumento para a faixa a ser calibrada (por exemplo, LR ou HR).
2. Pressione e segure ▲ por 3 segundos para entrar no modo de menu.
3. Pressione ▲ até que "USER" (USUÁRIO) seja exibido e pressione ✓.
4. Pressione ▲ até que "Edit" (Editar) seja exibido e pressione ✓.
5. Quando "S0" for exibido no visor, pressione ✓.
6. Insira o primeiro par de dados.

O primeiro par de dados é S0 (valor da concentração) e A0 (valor da absorvância).

- Pressione ▲ ou ☼ para alterar o número que pisca.
- Pressione ✓ para ir até o próximo dígito.
- Pressione ◻ para ir até o dígito anterior.

7. Siga as etapas 5 e 6 novamente para inserir o segundo par de dados (S1 e A1).
8. A calibração é concluída com dois pares de dados. Caso sejam necessários pares de dados adicionais para a calibração:
 - a. Quando "Add" (Adicionar) for exibido, pressione ✓.
 - b. Siga as etapas 5 e 6 novamente para inserir mais pares de dados.
9. Pressione e segure ▲ por 3 segundos para retornar ao modo de medição.

8.2.3 Definir para a calibração padrão de fábrica

Para remover uma curva de calibração inserida pelo usuário no instrumento e usar a calibração de fábrica, siga estas etapas:

1. Pressione e segure ▲ por 3 segundos para entrar no modo de menu.
2. Pressione ▲ até que "USER" (USUÁRIO) seja exibido e pressione ✓.
3. Pressione ▲ até que "dFL" (padrão) seja exibido e pressione ✓.

Seção 9 Manutenção

▲ CUIDADO



Vários perigos. Somente pessoal qualificado deve realizar as tarefas descritas nesta seção do manual.


AVISO


Não desmonte o instrumento para manutenção. Caso seja necessário limpar ou reparar componentes internos, entre em contato com o fabricante.

9.1 Como limpar o instrumento

Limpe a parte externa do instrumento com um pano úmido e uma solução de sabão neutro e seque conforme necessário.

9.2 Limpar as cubetas de amostra

| ⚠ CUIDADO | |
|--|---|
|  | Risco de exposição a produtos químicos. Obedeça aos procedimentos de segurança laboratoriais e use todos os equipamentos de proteção individual adequados aos produtos químicos que estão sendo manipulados. Consulte as planilhas de dados de segurança (MSDS/SDS) atuais para verificar os protocolos de segurança. |

| ⚠ CUIDADO | |
|--|---|
|  | Risco de exposição a produtos químicos. Descarte produtos químicos e detritos de acordo com as regulamentações locais, regionais e nacionais. |

A maioria dos detergentes de laboratório são usados nas concentrações recomendadas. Detergentes neutros, como o Liquinox, são mais seguros quando for necessária uma limpeza habitual. Para diminuir o tempo de limpeza, aumente a temperatura ou utilize um banho ultrassônico. Para finalizar a limpeza, enxágue algumas vezes com água deionizada e deixe a cubeta de amostra secar naturalmente. As cubetas de amostra também podem ser limpas com ácido, seguido de uma lavagem meticulosa com água deionizada.

Observação: Use sempre ácido para limpar cubetas de amostra que foram usadas em testes de metal de baixo nível.

Métodos especiais de limpeza são necessários para procedimentos individuais. Ao utilizar uma escova para limpar cubetas de amostra, tenha cuidado redobrado para evitar arranhões nas superfícies internas das cubetas.


9.3 Substituir as baterias

Troque as baterias quando o nível de energia das baterias estiver baixo. Consulte [Instalar as baterias](#) na página 79.

Seção 10 Solução de problemas

| Erro | Descrição | Solução |
|------|-----------------------------------|--|
| E-00 | Não neutro | No modo de calibração do usuário, uma solução padrão foi medida antes de o instrumento ter sido definido como neutro. Meça uma solução branca para definir o instrumento como neutro. |
| E-01 | Erro de luz ambiente ⁷ | Há luz ambiente no compartimento de células. Verifique se a tampa do instrumento está bem instalada no compartimento de células. Consulte Fazer um teste na página 82. |
| E-02 | Erro no LED ⁷ | O LED (fonte de luz) está desregulado. Substituir as baterias. Verifique se o LED no compartimento de células acende quando <input checked="" type="checkbox"/> ou <input type="checkbox"/> é pressionado. |
| E-03 | Erro de ajuste padrão | <ul style="list-style-type: none">• O valor medido da solução padrão é superior aos limites de ajuste. Prepare um padrão novo.• A solução padrão não está dentro da faixa de concentração que pode ser usada para ajuste de calibração padrão. Prepare um padrão com um valor equivalente ou próximo das concentrações recomendadas mencionadas no procedimento.• Verifique se a concentração da solução padrão foi inserida corretamente. |

⁷ Quando ocorre um erro E-01 ou E-02 em uma medição, o visor exibe "_.__". A casa decimal depende da química. Caso ocorra o erro E-01 ou E-02 o instrumento é definido como neutro, defina o instrumento como neutro novamente.

| Erro | Descrição | Solução |
|----------------------------------|---|--|
| A leitura pisca, seguida de E-04 | A leitura é superior ou inferior à faixa do instrumento. ⁸ | Caso a leitura seja inferior à faixa do instrumento, verifique se a tampa do instrumento está bem instalada no compartimento de células. Meça uma célula branca. Caso a leitura do branco não seja neutra, defina o instrumento como neutro novamente. |
| | | Caso a leitura seja superior à faixa do instrumento, identifique se há bloqueio de luz no compartimento de células. Dilua a amostra. Realize o teste novamente. |
| E-06 | Erro de absorbância | O valor de absorbância não está correto, ou a curva de calibração inserida pelo usuário tem menos de dois pontos. Insira ou meça o valor de absorbância novamente. |
| E-07 | Erro de valor padrão | A concentração da solução padrão é equivalente à outra concentração da solução padrão que já foi inserida na curva de calibração inserida pelo usuário. Insira a concentração padrão correta. |
| E-09 | Erro de flash | O instrumento não consegue salvar dados. Pressione e segure  por 5 segundos para reiniciar o instrumento. |
| E-10 | Temperatura ambiente muito alta ou muito baixa | A temperatura ambiente está fora da faixa. Use o instrumento somente nas condições de operação especificadas. Consulte Especificações na página 74. |
| E-12 | Bateria fraca | A bateria está muito fraca. Substituir as baterias. Consulte Instalar as baterias na página 79. |
| E-13 | Falha no carregamento do parâmetro | A memória do instrumento está com defeito. Entre em contato com o suporte técnico. |

⁸ O valor que pisca será 10% superior ao limite superior da faixa de teste.

| Erro | Descrição | Solução |
|--|--------------------------------|---|
| E-14 seguido de "._" ou "0" se "Não neutro" estiver presente | Medição Neutro inválida | A medição Neutro é muito baixa. Use uma célula de amostra cheia de água e tente novamente. Se o erro persistir, entre em contato com o suporte técnico. |
| E-15 seguido de "._" | Absorbância muito alta | Identifique se há um bloqueio de luz no compartimento de células. Limpe o compartimento de células. Dilua a amostra. Realize o teste novamente. Observação: Este instrumento não consegue ler valores de absorbância superiores a 3,5 Abs. |
| E-20 | Medição do sinal fora da faixa | Há muita luz no detector de luz. Verifique se a tampa do instrumento está bem instalada no compartimento de células. Realize o teste novamente. Se o erro persistir, entre em contato com o suporte técnico. |
| E-21 | Medição de sinal instável | Há um sinal instável no detector de luz. Há muita luz ambiente ou a luz ambiente está instável. Verifique se a tampa do instrumento está bem instalada no compartimento de células. Realize o teste novamente. Se o erro persistir, entre em contato com o suporte técnico. |
| E-22 | Erro de hardware | O sistema eletrônico está com defeito. Entre em contato com o suporte técnico. |

Logo após a atualização de um instrumento, podem ocorrer os seguintes erros:

| Erro | Descrição | Solução |
|------|------------------------------------|--|
| E-30 | Nenhum aplicativo | Ocorreu um erro durante a atualização do aplicativo. Não foi encontrado um aplicativo válido no instrumento. Atualize o instrumento novamente. |
| E31 | Falha na atualização do bootloader | Ocorreu um erro durante a transmissão da atualização do bootloader. Atualize o bootloader novamente. |

| Erro | Descrição | Solução |
|------|------------------------------------|---|
| E-32 | Falha na atualização do aplicativo | Ocorreu um erro durante a transmissão da atualização do aplicativo. Atualize o instrumento novamente. |
| E-66 | Falha na atualização | O instrumento está com defeito. Entre em contato com o suporte técnico. |

Seção 11 Peças e acessórios de reposição

▲ ADVERTÊNCIA



Risco de lesão corporal. O uso de peças não aprovadas pode causar lesões pessoais, danos ao instrumento ou mau funcionamento do equipamento. As peças de substituição nesta seção foram aprovadas pelo fabricante.

Observação: Os códigos dos produtos podem variar para algumas regiões. Entre em contato com o distribuidor apropriado ou consulte o website da empresa para obter informações de contato.

Peças de reposição

| Descrição | Quantidade | Nº do item |
|---|------------|-----------------|
| Baterias AAA, alcalinas | 4/pct | 4674300 |
| Tampa do instrumento | 1 | LPZ445.99.00006 |
| Tampa da bateria | 1 | LPZ445.99.00007 |
| Célula de amostra, 25 mm (10 mL), vidro | 6/pct | 2427606 |
| Célula de amostra, 1 cm (10 mL), plástico | 2/pct | 4864302 |

Acessórios

| Descrição | Quantidade | Nº do item |
|------------------------------------|------------|-----------------|
| Dongle de comunicação Hach | 1 | LPV446.99.00012 |
| Mala de transporte/estojo maleável | 1 | 5953100 |

目录

- | | | | |
|-----------|---------|----------|---------|
| 1 规格 | 第 97 页 | 7 显示测量值 | 第 107 页 |
| 2 基本信息 | 第 98 页 | 8 校准 | 第 107 页 |
| 3 安装电池 | 第 101 页 | 9 维护 | 第 111 页 |
| 4 用户界面及导航 | 第 101 页 | 10 故障排除 | 第 113 页 |
| 5 设置时间 | 第 103 页 | 11 备件与附件 | 第 114 页 |
| 6 测试操作 | 第 104 页 | | |

第 1 节 规格

产品规格如有变化，恕不另行通知。

| 规格 | 详细信息 |
|----------------|---|
| 尺寸 (W x H x D) | 6.9 x 15.7 x 3.4 cm (2.7 x 6.2 x 1.3 in) |
| 外壳 | IP67 防护等级，当关闭并锁定电池盒时，可在 1 m (3.3 ft) 处防水 30 分钟。 |
| 光源 | 发光二极管 (LED) |
| 检测器 | 硅光电二极管 |
| 显示 | LCD 背光显示 |
| 重量 | 0.25 kg (0.55 lb) |
| 电源 | 4 节 AAA 电池；大约可进行 5000 次测试（使用背光会减少测试次数） 不建议使用可充电电池。 |
| 操作环境 | 0 至 50 °C (32 至 122 °F)，0 至 90% 相对湿度，无冷凝 |
| 储存环境 | -20 至 55 °C (-4 至 131 °F)，0 至 80% 相对湿度，无冷凝 |
| 波长准确度 | 固定波长 ± 2 nm，因型号而异 |
| 光谱带宽 | 15 nm |
| 吸光度范围 | 0 至 2.5 Abs |
| 样品池 | 25 mm (10 mL) 和 1 cm (10 mL) |
| 数据存储 | 最近 50 次测量值 |

| 规格 | 详细信息 |
|-------------------------|---|
| Bluetooth® ¹ | 当安装了选配的 Hach Communication Dongle 之后，Bluetooth® 将会开启。 |
| 认证 | CE |
| 保修 | 1 年（EU：2 年） |

第 2 节 基本信息

对于因本手册中的任何不足或遗漏造成的直接、间接、特别、附带或结果性损失，制造商概不负责。制造商保留随时更改本手册和手册中描述的产品的权利，如有更改恕不另行通知或承担有关责任。修订版可在制造商的网站上找到。

2.1 安全信息

对于误用或滥用本产品造成的任何损坏，包括但不限于直接、附带和从属损害，制造商概不负责，并且在适用法律允许的最大范围内拒绝承认这些损害。用户自行负责识别关键应用风险并安装适当的保护装置，以确保在设备可能出现故障时保护工艺流程。

请在拆开本设备包装、安装或使用前，完整阅读本手册。特别要注意所有的危险警告和注意事项。否则，可能导致操作员受到严重伤害或设备受到损坏。

请确保产品拆开时的完整无损伤。请勿以本手册指定方式之外的其它方式使用或安装本设备。

2.1.1 危害指示标识说明

▲ 危险

表示潜在的或紧急的危险情况，如果不加以避免，将会导致死亡或严重伤害。

▲ 警告

表示潜在的或紧急的危险情况，如果不加以避免，将会导致死亡或严重伤害。

▲ 警告

表示潜在的或紧急的危险情形，可能导致轻度或中度人身伤害。



¹ Bluetooth® 字标和徽标是归 Bluetooth SIG, Inc. 所有的注册商标，哈希公司对此类标志的任何使用均获得授权。

注意

表明如不加以避免可能会导致仪器损坏的情况。此信息需要特别强调。

2.1.2 警告标签

请阅读贴在仪器上的所有标签和标记。如未遵照这些安全标签的指示操作，则可能造成人身伤害或仪器损坏。仪器上的符号在手册中通过警告说明参考。

| | |
|---|---|
|  | 当仪器上标示此符号时，表示需要遵守说明手册中的操作和/或安全信息。 |
|  | 标有此符号的电气设备在欧洲不能通过家庭或公共垃圾系统进行处理。请将老旧或报废设备寄回至制造商处进行处置，用户无需承担费用。 |

2.1.3 认证

加拿大无线电干扰条例（IC 认证）（Canadian Radio Interference-Causing Equipment Regulation），ICES-003，B 类：

支持性测试结果在制造商处保存。

B 类产品符合加拿大无线电干扰条例要求。

FCC 第 15 部分，“B”类限制

支持性测试结果在制造商处保存。该设备符合 FCC 规定第 15 部分的要求。设备操作满足以下两个条件：

1. 本设备不会造成有害干扰。
2. 设备会接收任何干扰，包括可能造成意外的干扰。

若未经负责出具符合声明的一方明确同意擅自对本设备进行改动或改装，可能会导致取消用户操作该设备的权限。本设备已经过测试，符合 FCC 规定第 15 部分中确定的 B 类数字设备限制。这些限制专门提供当设备在商业环境下工作时针对有害干扰的合理保护。该设备产生、使用和放射无线电射频能量，如果不按照说明手册的要求对其进行安装和使用，可能会对无线电通讯造成有害干扰。本设备在居民区工作时可能会

产生有害干扰，这种情况下用户须自行承担费用消除这种干扰。以下方法可用于减少干扰问题：

1. 将设备从接受干扰的仪器边上移开。
2. 重新定位受干扰仪器的接收天线。
3. 同时尝试以上多项措施。

2.2 产品概述

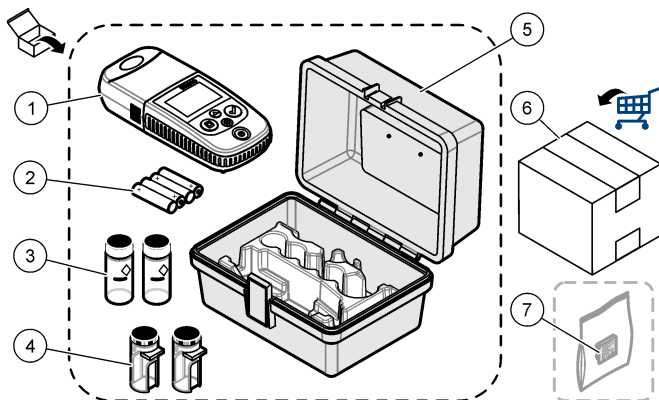
本仪器是一款用于进行水质测试的便携式比色计。

注：本仪器尚未就能否在美国医疗应用中测量氯和氯胺进行过评估。

2.3 产品部件

确保已收到所有部件。请参阅图 1。如有任何物品丢失或损坏，请立即联系制造商或销售代表。图 1 是一个示例，列出了随机产品附件，不同型号的产品，随机附件会有不同。

图 1 产品部件



| | |
|-----------------------|--|
| 1 DR300 | 5 便携手提箱 |
| 2 AAA 碱性电池 | 6 试剂 |
| 3 25 mm (10 mL) 玻璃样品池 | 7 Hach Communication Dongle (可选, 单独提供) |
| 4 1 cm (10 mL) 塑料样品池 | |

第 3 节 安装电池

警告



爆炸危险。电池安装不正确会导致释放爆炸性气体。确保以正确的朝向插入与合格化学类型相同的电池。请勿混用新电池和旧电池。


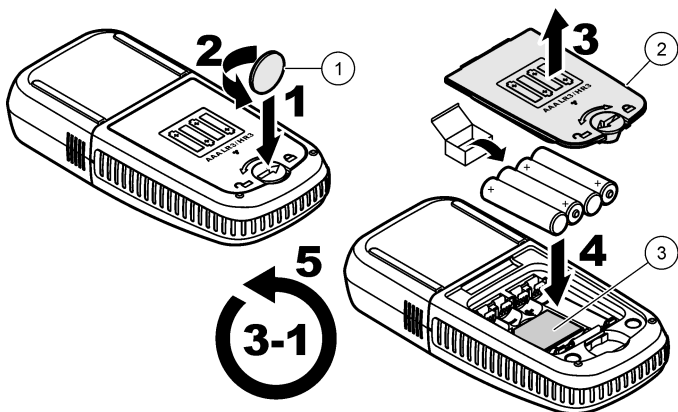
请参阅图 2 以安装电池。然后按下  将仪器设置为开启。

图 2 安装电池



1 硬币

2 电池盖

3 蓝牙适配器的塑料嵌件²

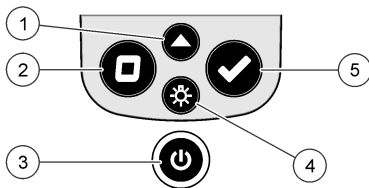
第 4 节 用户界面及导航

4.1 按键描述

图 3 显示按键以及按键功能。

² 只有取出塑料嵌件，才能安装 Hach Communication Dongle。请参见适配器附带的安装说明。

图 3 按键

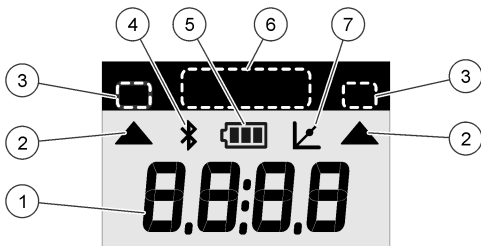


| | |
|---|---|
| <p>1 量程: 选择量程 (例如, 低量程或高量程)。 按住 3 秒以进入或退出菜单模式。 在菜单模式中, 向上滚动或增大所选数位的值。</p> | <p>4 背光: 将背光设置为打开和关闭。 在菜单模式中, 向下滚动或减少所选数位的值。</p> |
| <p>2 清零: 在测量之前清零。 在菜单模式中, 返回上一级菜单或将光标移到上一个数位。</p> | <p>5 读取: 启动样品测量。 在菜单模式中, 选择所示的菜单选项或将光标移到下一个数位。</p> |
| <p>3 电源: 打开或关闭仪器。 按住 5 秒将重置仪器。校准曲线不会被删除。</p> | |

4.2 显示说明

图 4 介绍显示屏上所示的数值和图标。

图 4 显示



| | |
|---|--------------------------------|
| 1 数字显示屏：测量值或菜单选项 | 5 电池图标：电池电量。当电池电量低时闪烁。 |
| 2 量程选择图标：指向选定的量程 | 6 参数和量程 |
| 3 测定参数和量程选择 | 7 校准调整图标：出厂默认校准已被调整，或使用用户校准曲线。 |
| 4 Bluetooth® 图标：Bluetooth® 已打开 ³ 。 | |

第 5 节 设置时间

设置时间（24 小时制）。

1. 按住▲3 秒以进入菜单模式。
随后出现时间（或 00:00）。
2. 按下✓以设置时间。
3. 按下▲或✱以改变闪烁的数值。按下✓以跳至下一个数位。按下□以返回到上一个数位。

³ 在安装了 Hach Communication Dongle 时显示。

第 6 节 测试操作

⚠ 危险



化学或生物危害。如果该仪器用于监测处理过程和/或监测有法规限制以及有与公众健康、公众安全、食品或饮料制造或加工相关监测要求的化学药物添加系统时，仪器的使用者有责任了解并遵守所有适用的法规，并且要建立适当的机制，确保在仪器发生故障的时候也不会违法这些法规。

⚠ 危险



化学品暴露风险。遵守实验室安全规程，穿戴适用于所处理化学品的所有个人防护装备。有关安全规程，请参阅当前安全数据表 (MSDS/SDS)。

⚠ 警告



化学品暴露风险。请遵循地方、区域和国家法规处置化学品和废弃物。

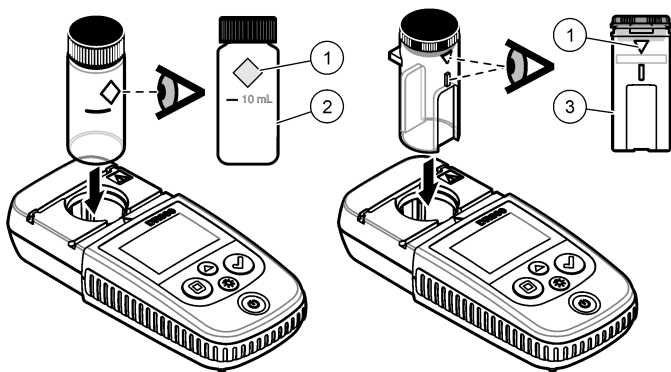
以下是测试时要操作的一般步骤。

要针对特定参数（例如，氯）进行测试，请从制造商的网站下载测试流程。请参阅 [下载测试流程](#) 第 106 页。

1. 按下 **▲** 以选择适用的测量量程（例如，低量程或高量程）。
2. 制备空白样品。请参阅测试流程。
3. 使用无纺布清洁样品池。
4. 将空白样品池插入样品池座。确保以正确、一致的方向安装空白样品池，以便结果重复性更高，且更精确。请参阅 [图 5](#)。
5. 将仪器盖竖立在样品池上。请参阅 [图 6](#)。
6. 按 **□** 将仪器清零。
7. 取出空白样品池。
8. 制备样品。请参阅测试流程。
9. 使用无纺布清洁样品池。

10. 将样品池插入样品池座。确保以正确、一致的方向放置样品池，以便结果重复性更高，且更精确。请参阅图 5。
11. 将仪器盖竖立在样品池上。请参阅图 6。
12. 按 **✓**。显示器将显示测定浓度或吸光度。
注： 如果结果超出仪器量程，结果将闪烁。
13. 从样品池座中取出样品池。
14. 立即清空和冲洗样品池。使用去离子水（或蒸馏水）冲洗样品池和瓶盖三次。
注： 或者，如果测量的样品浓度高于自来水浓度，可使用自来水冲洗样品池。

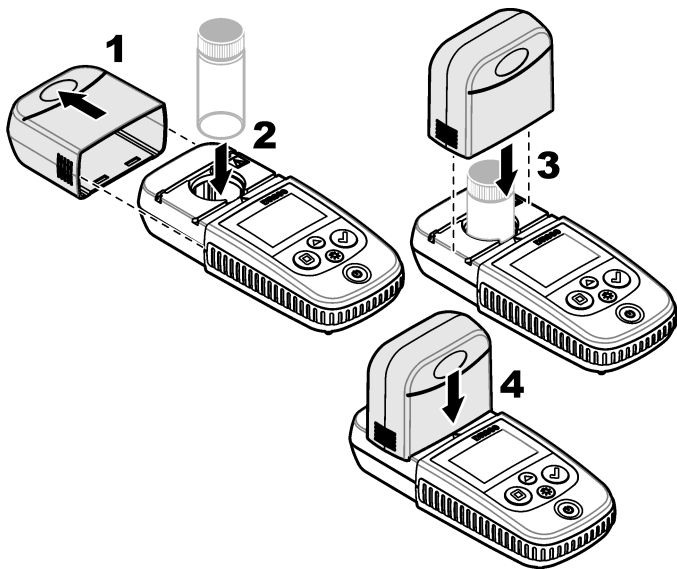
图 5 样品池方向



| | | |
|---------------------|------------------------------------|-----------------------------------|
| 1 定位标记 ⁴ | 2 25 mm (10 mL) 玻璃样品池 ⁵ | 3 1 cm (10 mL) 塑料样品池 ⁶ |
|---------------------|------------------------------------|-----------------------------------|

- 4 有些型号的仪器配备了不带方向标记的样品池。
- 5 玻璃样品池用于低量程氯测试。
- 6 塑料样品池用于高量程氯测试。

图 6 在样品池座上安装仪器盖



6.1 下载测试流程

1. 转到 <http://www.hach.com>.
2. 在搜索框中输入“DR300”。
3. 在“搜索类型”框中选择左侧的“下载”选项。
4. 向下滚动至“Methods/Procedures”（方法/流程）。
5. 单击相应测试流程的链接以进行下载。

第 7 节 显示测量值

注： 仪器最多保存 50 个测量值。达到 50 个测量值之后，新的测量值将取代最早保存的测量值。

1. 按住 ▲ 3 秒钟。
2. 按下 ▲，直至显示“rCL”（调用），然后按下 ✓。
随后显示“- 01 -”。测量值 01 是最后完成的测量。
3. 按下 ✓ 以向前滚动。
测量编号后面跟随测量值，然后跟随时间。
4. 要转至某个测量编号，请按下 ✓，直至显示测量编号，然后按下 ▲ 或 ✖。
注： 测量值不能被删除。
5. 按住 ▲3 秒以返回到测量模式。

第 8 节 校准

本仪器已经过出厂校准。无需用户进行校准。

8.1 标准校准调整

当必须调整校准曲线以达到法规要求时，请使用标准校准调整（SCA）选项。可使用标准校准调整（SCA）选项微调出厂校准，以便仪器显示标准溶液的预期值。然后将调整后的校准用于所有测试结果。当试剂或仪器有轻微变化时，通过此调整可提高测试准确度。

注： 对于采用出厂校准的量程或方法的仪器，当将用户输入的校准输入到仪器中时，标准校准调整（SCA）功能被禁用。要将 SCA 重新设置为开启，请将仪器设置为出厂默认校准。请参阅 [设置为出厂默认校准](#) 第 111 页。

8.1.1 执行标准校准调整

1. 为要校准的量程完成测试流程。对于此样品，使用测试流程文档中给出的标准溶液浓度。
注： 如果测试流程文档中未给出标准溶液浓度，可使用其他已知标准溶液。
2. 完成标准溶液测试后，请按住 ▲ 3 秒。
3. 按下 ▲，直至显示“SCA”，然后按下 ✓。
显示屏上显示标准校准调整值。

4. 如果使用其他已知标准溶液，请输入标准溶液的值：

- a. 按下 ▲，直至显示“Edit”（编辑），然后按下 ✓。
- b. 输入标准溶液的值。

按下 ▲ 或 ✱ 以改变闪烁的数值。按下 ✓ 以跳至下一个数位。按下 □ 以返回到上一个数位。

5. 按下 ✓ 将标准校准调整值添加到出厂校准曲线。

8.1.2 将标准校准调整设置为关闭

要再次使用出厂默认校准，请将标准校准调整（SCA）设置为关闭。

1. 按住▲3秒以进入菜单模式。
2. 按下 ▲，直至显示“SCA”，然后按下 ✓。
3. 按下 ▲，直至显示“OFF”（关闭），然后按下 ✓。

注： 要再次将 SCA 功能设置为开启，请执行标准校准调整。

8.2 用户输入的校准曲线

本仪器接受用户自设的校准曲线。校准曲线的吸光度范围可为 0 到 2.5。确保校准曲线包括小于和大于所需范围的标准值。

该测量量程将与校准量程一致。例如，所用标准量程为 1.00、2.00 和 4.00 时，测量量程为 1.00 到 4.00。

输入用户校准曲线有两种选择：

- **使用标准溶液输入校准曲线** - 使用按键输入标准溶液值并测量吸光度值。
- **使用按键输入校准曲线** - 使用按键输入标准溶液值和吸光度值。

注： 如果在用户输入校准曲线完成前将仪器设置为关闭或断开仪器电源，则校准曲线不会被保存。如果处于用户输入校准输入模式，在无活动 60 分钟后仪器将自动关闭。当用户退出校准（cal）模式或编辑模式时，用户输入校准结束。

8.2.1 使用标准溶液制作校准曲线

▲警告







化学品暴露风险。遵守实验室安全规程，穿戴适用于所处理化学品的所有个人防护装备。有关安全规程，请参阅当前安全数据表 (MSDS/SDS)。





▲警告



化学品暴露风险。请遵循地方、区域和国家法规处置化学品和废弃物。

注：或者，如果样品的浊度或色度没有明显超过去离子水，可使用去离子水制备空白样品。

1. 按下▲将仪表设置为待校准的量程（例如，低量程或高量程）。
2. 制备空白样品。请参阅测试流程。
3. 使用无纺布清洁样品池。
4. 将仪器清零。
 - a. 将空白样品池插入样品池座。
 - b. 将仪器盖竖立在样品池上。
 - c. 按 。显示屏将依次显示“---”和“0.00”。
5. 按住▲ 3 秒以进入菜单模式。
6. 按下▲，直至显示“USER”（用户），然后按下
7. 按下▲，直至显示“CAL”，然后按下
8. 当显示屏上显示“S0”时，按下
9. 为空白值输入 00.00（或 000.0）。

按下▲或以改变闪烁的数值。按下以跳至下一个数位。按下以返回到上一个数位。
10. 当显示屏上显示“A0”时，按下以测量空白样品的吸光度。

显示屏显示“S0”的吸光度值。

11. 从样品池座中取出样品池。
12. 制备样品。请参阅测试流程。对于此样品，使用测试流程文档中给出的标准溶液浓度。
13. 使用无纺布清洁样品池。
14. 按下☼以显示“S1”（或“Add”（添加）），然后按下✓
15. 输入第一种校准标准溶液的浓度值，然后按下✓
16. 当显示屏上显示“A1”时，执行以下步骤以测量吸光度：
 - a. 将已反应的标准样品池插入样品池座。
 - b. 将仪器盖竖立在样品池上。
 - c. 按✓.显示屏显示“S1”的吸光度值。
17. 校准完成时有两个校准点。如果需要校准其他标准溶液：
再次执行步骤 11-16，以测量更多校准标准溶液。
18. 从样品池座中取出样品池。
19. 立即清空和冲洗样品池。使用去离子水（或蒸馏水）冲洗样品池和瓶盖三次。
注：或者，如果自来水中此参数的浓度小于已测量的样品，可使用自来水冲洗样品池。
20. 按住▲3 秒以返回到测量模式。

8.2.2 使用按键输入校准曲线

至少需要两个数据组来输入用户自设的校准曲线。每个数据组需要一个浓度值和给定浓度的吸光度值。最多可以输入 10 个数据组。

1. 按下▲将仪表设置为待校准的量程（例如，低量程或高量程）。
2. 按住▲3 秒以进入菜单模式。
3. 按下▲，直至显示“USER”（用户），然后按下✓
4. 按下▲，直至显示“Edit”（编辑），然后按下✓
5. 当显示屏上显示“S0”时，按下✓
6. 输入第一个数据组。
第一个数据组为 S0（浓度值）和 A0（吸光度值）。
 - 按下▲或☼以改变闪烁的数值。
 - 按下✓以跳至下一个数位。
 - 按下□以返回到上一个数位。

- 再次执行步骤 5 和 6，以输入第二个数据组（S1 和 A1）。
- 校准完成时有两个数据组。如果需要校准其他数据组：
 - 显示“Add”（添加）时，按下✓
 - 再次执行步骤 5 和 6，以输入更多数据组。
- 按住▲3 秒以返回到测量模式。

8.2.3 设置为出厂默认校准

要从仪器中删除用户输入的校准曲线并使用出厂校准，请执行以下步骤：

- 按住▲3 秒以进入菜单模式。
- 按下▲，直至显示“USER”（用户），然后按下✓
- 按下▲，直至显示“dFL”（默认值），然后按下✓。

第 9 节 维护

▲警告



多重危险。只有符合资质的专业人员才能从事文档本部分所述的任
务。

注意

请勿拆卸仪器进行维护。如果必须清洁或维修内部组件，请联系制造商。

9.1 清洁仪器

用沾有温和肥皂液的湿抹布将仪器的外壳擦拭干净，如有需要，请把仪器擦干。

9.2 清洁样品池

▲ 警告



化学品暴露风险。遵守实验室安全规程，穿戴适用于所处理化学品的所有个人防护装备。有关安全规程，请参阅当前安全数据表 (MSDS/SDS)。

▲ 警告



化学品暴露风险。请遵循地方、区域和国家法规处置化学品和废弃物。

按建议的浓度使用大多数实验室清洁剂。如果需要定期清洁，请使用 Liquinox 等中性清洁剂更安全。如要减少清洁次数，请增加温度或使用超声波清洗器。如要结束清洁，请用去离子水冲洗数次，并让样品池自然风干。

也可以用酸清洁样品池，然后用去离子水冲洗样品池。


注： 请始终用酸清洁低含量金属测试用样品池。

对于个别程序需要使用特殊清洁方法。用刷子清洁样品池时，请格外小心，避免对样品池内表面造成划痕。

9.3 更换电池

当电池电量低时请更换电池。请参阅 [安装电池](#) 第 101 页。

第 10 节 故障排除

| 错误 | 说明 | 解决方法 |
|-----------------------|---------------------------|--|
| E-00 | 零点错误 | 在用户校准模式下，在将仪器清零之前测量了标准溶液。测量空白溶液，并将仪器清零。 |
| E-01 | 环境光错误 ⁷ | 样品池座中存在环境光。确保将仪器盖完全竖立在样品池座上。请参阅 测试操作 第 104 页。 |
| E-02 | LED 错误 ⁷ | LED（光源）异常。更换电池。按下 <input checked="" type="checkbox"/> 或 <input type="checkbox"/> 时确保样品池座中的 LED 点亮。 |
| E-03 | 标准调整错误 | <ul style="list-style-type: none"> 标准溶液的测量值大于调整限值。请制备新鲜的标准溶液。 标准溶液不在标准校准调整可接受的浓度范围内。制备标准溶液，使其浓度值为测试流程中给出的建议浓度或在该浓度附近。 确保正确输入了标准溶液的浓度。 |
| 读数闪烁， 然后显示 E-04 | 读数大于或小于仪器量程。 ⁸ | <p>如果读数小于仪器量程，请确保已将仪器盖完全竖立在样品池座上。测量空白样品。如果空白样品读数不为零，请再次将仪器设为零。</p> <p>如果读数大于仪器范围，应确定样品池座中是否有光阻挡。稀释样品。再次进行测试操作。</p> |
| E-06 | 吸光度错误 | 吸光度值不正确或用户输入的校准曲线的点少于两个。再次输入或测量吸光度值。 |
| E-07 | 标准值错误 | 标准溶液浓度等于用户校准曲线中已输入的其他标准溶液浓度。输入正确的标准溶液浓度。 |
| E-09 | 闪烁错误 | 仪器不能保存数据。按住  5 秒以重置仪器。 |
| E-10 | 环境温度太高或太低 | 环境温度超出允许范围。只在规定的工作条件下使用本仪器。请参阅 规格 第 97 页。 |
| E-12 | 电池电量低 | 电池电量太低。更换电池。请参阅 安装电池 第 101 页。 |

⁷ 如果测量时出现 E-01 或 E-02 错误，显示屏将显示“_.”。小数位视化学品情况而定。如果将仪器设为零时出现 E-01 或 E-02 错误，则再次将仪器设为零。

⁸ 闪烁的值将超过测试范围上限 10%。

| 错误 | 说明 | 解决方法 |
|-----------------------------|----------|---|
| E-13 | 参数加载失败 | 仪器的存储器出现故障。请联系哈希技术支持部门。 |
| 如果存在零点错误，E-14 后面显示“_._”或“0” | 零点测量无效 | 零点测量太低。使用装满水的样品池重试。如果故障仍未解决，请联系哈希技术支持部门。 |
| 在 E-15 后面会显示“_._” | 吸光度太高 | 确定样品池座中是否有光阻挡。清洁样品池座。稀释样品。再次进行测试操作。 注： 此仪器不能读取高于 3.5 Abs 的吸光度值。 |
| E-20 | 信号测量超出范围 | 光探测器上的光线太强。确保将仪器盖完全竖立在样品池座上。再次进行测试操作。如果故障仍未解决，请联系哈希技术支持部门。 |
| E-21 | 信号测量不稳定 | 光探测器上的信号不稳定。环境光线太强或不稳定。确保将仪器盖完全竖立在样品池座上。再次进行测试操作。如果故障仍未解决，请联系哈希技术支持部门。 |
| E-22 | 硬件错误 | 电子系统出现故障。请联系哈希技术支持部门。 |

仪器更新后随即出现以下错误。

| 错误 | 说明 | 解决方法 |
|------|----------|------------------------------------|
| E-30 | 无应用程序 | 在应用程序更新期间出错。未在仪器上找到有效的应用程序。再次更新仪器。 |
| E31 | 引导程序更新失败 | 在传输引导程序更新时出错。再次更新引导程序。 |
| E-32 | 应用程序更新失败 | 在传输应用程序更新时出错。再次更新仪器。 |
| E-66 | 更新失败 | 仪器出现故障。请联系哈希技术支持部门。 |

第 11 节 备件与附件

▲ 警告



人身伤害危险。使用未经批准的部件可能造成人身伤害、仪器损坏或设备故障。本部分中的更换部件均经过制造商的批准。

注：一些销售地区的产品和物品数量可能有所不同。请与相关分销商联系或参考公司网站上的联系信息。

备件

| 说明 | 数量 | 物品编号 |
|---------------------|-------|-----------------|
| AAA 碱性电池 | 4/pkg | 4674300 |
| 仪器盖 | 1 | LPZ445.99.00006 |
| 电池盖 | 1 | LPZ445.99.00007 |
| 25 mm (10 mL) 玻璃样品池 | 6/pkg | 2427606 |
| 1 cm (10 mL) 塑料样品池 | 2/pkg | 4864302 |

附件

| 说明 | 数量 | 物品编号 |
|---------------------------|----|-----------------|
| Hach Communication Dongle | 1 | LPV446.99.00012 |
| 软质便携包 | 1 | 5953100 |

目錄

- | | | | |
|------------|---------|------------|---------|
| 1 規格 | 第 116 頁 | 7 顯示測量結果 | 第 127 頁 |
| 2 一般資訊 | 第 117 頁 | 8 校正 | 第 127 頁 |
| 3 安裝電池 | 第 120 頁 | 9 維護保養 | 第 131 頁 |
| 4 使用者介面與導覽 | 第 121 頁 | 10 疑難排解 | 第 132 頁 |
| 5 設定時間 | 第 123 頁 | 11 更換零件和配件 | 第 134 頁 |
| 6 進行測試 | 第 124 頁 | | |

第 1 節 規格

規格如有變更，恕不另行通知。

| 規格 | 詳細資料 |
|----------------|---|
| 尺寸 (寬 x 高 x 深) | 6.9 x 15.7 x 3.4 cm (2.7 x 6.2 x 1.3 in.) |
| 機殼 | IP67, 當電池盒關閉並鎖住時, 防水性可達 1 m (3.3 ft) 30 分鐘。 |
| 光源 | 發光二極體 (LED) |
| 感測器 | 矽光電二極體 |
| 顯示器 | 背光 LCD |
| 重量 | 0.25 kg (0.55 lb) |
| 電源要求 | 4 顆 4 號電池; 壽命接近 5000 次測試 (如使用背光, 則次數將會減少) 不建議使用充電電池。 |
| 運作環境 | 0 至 50 °C (32 至 122 °F), 0 至 90% 相對溼度, 無凝水 |
| 貯放溫度 | -20 至 55 °C (-4 至 131 °F), 0 至 80% 相對溼度, 無凝水 |
| 波長 | 固定波長 ± 2 nm, 因型號而異 |
| 濾波器帶寬 | 15 nm |
| 吸光度範圍 | 0 至 2.5 Abs |
| 試樣槽 | 25 mm (10 mL) 和 1 cm (10 mL) |
| 資料儲存 | 最新的 50 筆測量結果 |

| 規格 | 詳細資料 |
|-------------------------|--|
| Bluetooth® ¹ | 安裝 Hach Communication Dongle 後，Bluetooth® 即開啟。 |
| 認證 | CE |
| 保固 | 1 年 |

第 2 節 一般資訊

倘若因此手冊中之任何瑕疵或遺漏，而造成直接性、間接性、特殊性、隨附性或衍生性的損壞，製造商將概不負責。製造商保留權利隨時更改此手冊及其敘述之產品，恕不另行通知，亦不承擔任何責任。修訂版公布於製造商網站。

2.1 安全資訊

倘若因不當使用或誤用此產品而造成任何損壞，製造商概不負責，包括但不限於直接性、隨附性和衍生性的損壞。而且在適用法律允許之最大範圍內，製造商對此類損壞不承擔任何責任。使用者需獨自負責辨別重大的應用風險，並備有適當的機制，以在可能的儀器故障情形中保護程序進行。

拆封、設定或操作本設備前，請先詳讀本手冊。請留意所有危險和警告說明。若未遵循各項說明，則可能造成人員或設備的嚴重傷害。

請確保此設備所提供的防護性並未受損。請勿利用此手冊上未指明的方式，來使用或安裝此設備。

2.1.1 危險標示資訊說明

▲ 危險

表示具有潛在或立即危險的情況，若不避免，將會導致死亡或重傷。

▲ 警告

表示具有潛在或立即危險的情況，若不避免，將會導致死亡或重傷。

▲ 警告

表示具有潛在危險、可能導致輕度或中度傷害的情況。



¹ Bluetooth® 文字商標和標誌為 Bluetooth SIG, Inc. 擁有的註冊商標，HACH 對此類商標的任何使用均已獲得授權。

注意

表示在無可避免的情況下，可能造成儀器損壞的情形。此處列出需特別注意的資訊。

2.1.2 安全注意標籤

請詳閱設備上貼附的所有標籤。若未遵守標籤說明，則可能造成人員傷害或設備損壞。可對照手冊內的防範說明，瞭解儀器上的標誌意義。

| | |
|--|---|
|  | 當儀器上貼有此標誌，請參考說明書以瞭解操作和/或安全資訊。 |
|  | 電氣設備若標有此標誌，不可棄置於歐洲家庭或公共垃圾處理系統。使用者可免費將老舊或已無法使用的設備交回給製造商報廢處理。 |

2.1.3 認證

加拿大無線電干擾生成設備法規 (Canadian Radio Interference-Causing Equipment Regulation), IECS-003, Class B:

佐證測試記錄留存於製造商處。

此 Class B 數位設備合乎加拿大無線電干擾生成設備法規的全數規定。

Cet appareil numérique de classe B répond à toutes les exigences de la réglementation canadienne sur les équipements provoquant des interférences.

FCC 第 15 部分，「B」類限制

佐證測試記錄留存於製造商處。此裝置符合 FCC 規定的第 15 條。操作必須合乎下列條件：

1. 該設備不會造成有害的干擾。
2. 該設備必須接受任何接收到的干擾，包括可能導致意外操作的干擾。

倘若更動或修改此設備，但其方式並未獲得負責遵從方的明確認可，使用者可能會喪失操作此設備的權利。此設備已經過測試，並符合 FCC 第 15 部分對 B 類數位裝置所做的限制規定。之所以制訂這些限制規定，是為了在設備於商業環境中運作時，針對有害的干擾提供合理的保

護。此設備會產生、使用並發射射頻能量，而且若未依照說明書安裝與使用，可能對無線電通訊造成有害干擾。在住宅區中操作此設備可能會造成有害干擾，屆時使用者將需付費修正此干擾。可利用下列技巧來減少干擾問題：

1. 將該設備遠離接收干擾的裝置。
2. 重新定位受干擾儀器的接收天線。
3. 嘗試同時採取上述的做法。

2.2 產品概覽

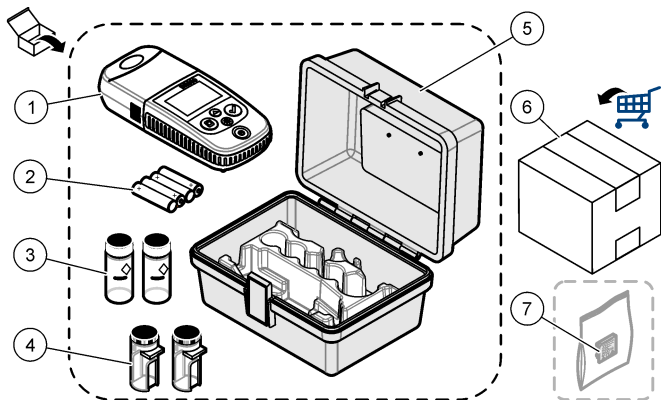
此儀器是用作測試水質的可攜式濾光光度計。

註 此儀器尚未經過評估，無法測量美國醫學應用的氯和氯胺。

2.3 產品元件

確認已收到所有的元件。請參閱 [圖 1](#)。若有任何物品遺漏或損壞，請立即與製造商或業務代表聯絡。[圖 1](#) 是一個範例，顯示 LPV445.99.00110 隨附的零件。其他儀器則隨附不同的元件。

圖 1 產品元件



| | |
|---------------------------|---|
| 1 DR300 | 5 貯放箱 |
| 2 4 號鹼性電池 | 6 試劑 |
| 3 試樣槽, 25 mm (10 mL), 玻璃製 | 7 Hach Communication Dongle (可選購, 單獨提供) |
| 4 試樣槽, 1 cm (10 mL), 塑料 | |

第 3 節 安裝電池

▲ 警告



有爆炸的危險。電池安裝錯誤會導致釋放出爆炸性氣體。確保電池屬於經過核准的相同化學類型, 並以正確的方向插入電池。請勿將新電池與用過的電池混用。

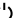
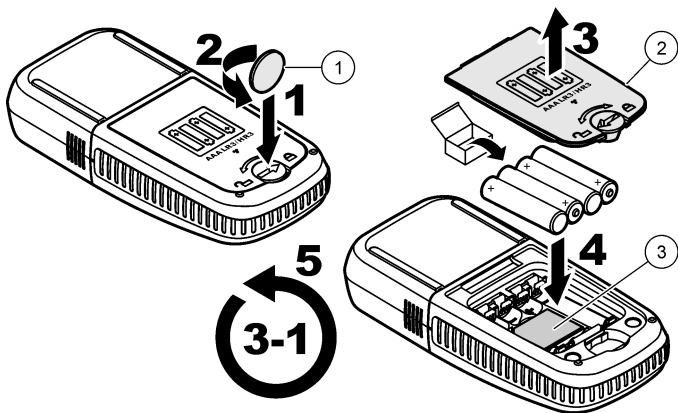
請參閱 圖 2 以安裝電池。接著, 按下  以將儀器設定為開啟。

圖 2 安裝電池



1 硬幣

2 電池蓋

3 無線網卡的塑料嵌件²

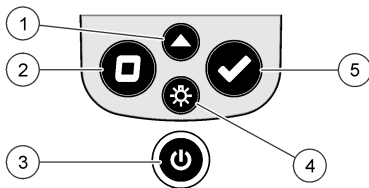
第 4 節 使用者介面與導覽

4.1 鍵盤說明

圖 3 顯示鍵盤並說明主要功能。

² 只有取出塑料嵌件，才能安裝 Hach Communication Dongle。請參閱 Hach Communication Dongle 隨附的安裝說明。

圖 3 鍵盤



1 範圍鍵： 選擇測量範圍 (例如 LR 或 HR)。
按住 3 秒鐘以進入或離開功能表模式。
在功能表模式中，向上滾動或增加所選位數的數值。

4 背光鍵： 設定背光為開啟或關閉。
在功能表模式中，向下滾動或減少所選位數的數值。

2 歸零鍵： 測量前設定零值。
在功能表模式中，回到功能表上一層或將游標移至上一個位數。

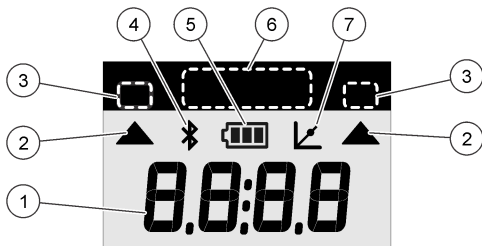
5 讀取鍵： 開始樣品測量。
在功能表模式中，選擇顯示的功能表選項或將游標移至上一個位數。

3 電源鍵： 設定電源為開啟或關閉。
按住 5 秒鐘以重設儀器。不會刪除校準。

4.2 顯示說明

圖 4 在顯示器上顯示數值和圖示。

圖 4 顯示器



| | |
|---|-------------------------------------|
| 1 數字顯示： 測量值或功能表選項 | 5 電池圖示： 電池電量水準。當電池電量較低時會閃爍。 |
| 2 範圍圖示： 指向所選的測量範圍 | 6 參數和測量範圍 |
| 3 測量範圍或是參數 | 7 校準調整圖示： 原廠預設校準調整過或是使用者輸入的校準曲線輸入後。 |
| 4 Bluetooth® 圖示： Bluetooth® 開啟 ³ 。 | |

第 5 節 設定時間

設定時間 (24 小時制)。

1. 按住 ▲ 3 秒鐘以回到功能表模式。
時間顯示 (或 00:00)。
2. 按下 ✓ 以設定時間。
3. 按下 ▲ 或 ✱，以變更閃爍的數字。按下 ✓ 前往下一位數。按下 □ 前往上一位數。

³ 安裝 Hach Communication Dongle 時顯示。

第 6 節 進行測試

▲ 危險



化學或生物性危險。若利用此儀器監控處理製程和/或化學投藥系統，而且這些系統必須符合與公共衛生、公共安全、食品或飲料製造或加工有關的法規限制和監控要求，此儀器之使用者有責任瞭解並遵守任何適用的法規，並備妥足夠且適當的機制，以確保在儀器故障時遵循適用的法規。

▲ 危險



化學暴露危險。遵守實驗室安全程序，並針對所處理的化學品穿戴所有適當的個人防護裝備。請參閱現行的安全資料表 (MSDS/SDS) 以瞭解安全協定。


▲ 警告



化學暴露危險。請遵守當地、地區和國家法規要求處置化學品和廢棄物。

以下為進行測試的通用步驟。

為特定參數 (如氯) 進行測試時，請從製造商網站下載測試程序。請參閱 [下載測試程序](#) 第 126 頁。

1. 按下▲ 選擇適用的測量範圍 (如 LR 或是 HR)。
2. 請準備空白溶液。請參考測試程序。
3. 以無絨布清潔試樣槽。
4. 將空白溶液試樣槽插入槽室固定座。請確定以正確且一致的方向安裝空白溶液試樣槽，讓結果更具有重複性及精確。請參閱 [圖 5](#)。
5. 將儀器蓋安裝至槽室固定座上。請參閱 [圖 6](#)。
6. 按下  將儀器歸零。
7. 移除空白溶液試樣槽。
8. 準備樣品。請參考測試程序。
9. 以無絨布清潔試樣槽。


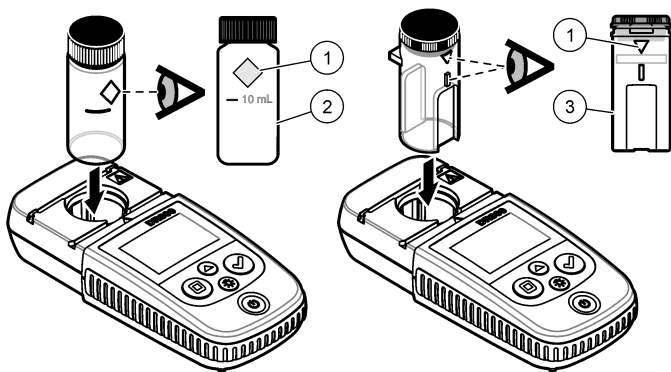
10. 將試樣槽插入槽室固定座。請確定以正確且一致的方向安裝試樣槽讓結果更具有重複性及精確。請參閱 圖 5。
11. 將儀器蓋安裝至槽室固定座上。請參閱 圖 6。
12. 按下 。顯示器以濃度單位或吸光度顯示結果。
註 如果結果低於或高於儀器範圍，則顯示結果會閃爍。
13. 將試樣槽從槽室固定座移除。
14. 立刻清空並沖洗試樣槽。以去離子水 (或是蒸餾水) 沖洗試樣槽及蓋子三次。
註 如果測量樣品的濃度高於自來水，請使用自來水作為替代品沖洗試樣槽。

圖 5 試樣槽方向



1 方向記號⁴

2 試樣槽，25 mm (10 mL)，玻璃製⁵

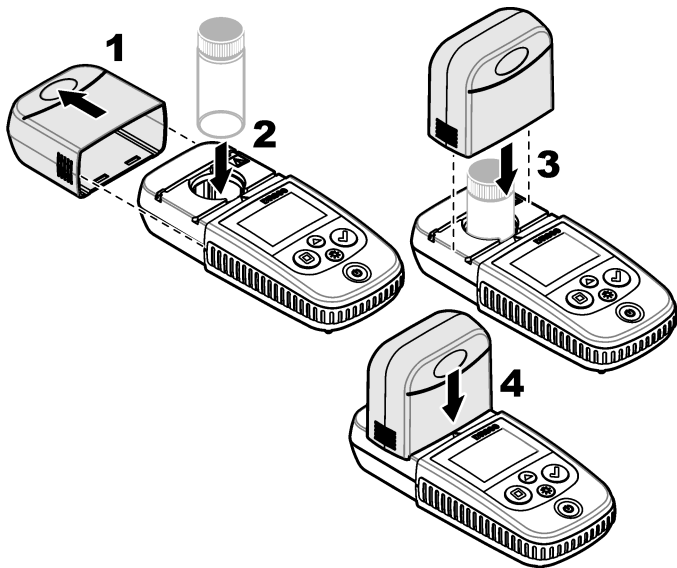
3 試樣槽，1 cm (10 mL)，塑料⁶

⁴ 此儀器的部分其他型號具有無方向記號的試樣槽。

⁵ 請使用玻璃試樣槽進行低範圍氯測試。

⁶ 請使用塑料試樣槽進行高範圍氯測試。

圖 6 將儀器蓋安裝至槽室固定座上



6.1 下載測試程序

1. 去 <http://www.hach.com>.
2. 在搜尋欄輸入「DR300」。
3. 在“搜索類型”框中選擇左側的“下載”選項。
4. 向下捲動至「Methods/Procedures」(方法/程序)。
5. 點選適當測試程序的連結以進行下載。

第 7 節 顯示測量結果

註 儀器最多可儲存 50 筆測量結果。如超過 50 筆測量結果，新的測量結果會取代最舊的測量結果。

1. 按住 ▲ 3 秒鐘。
2. 按下 ▲ 直到顯示「rCL」(回復) 字樣，然後按下 ✓。
會顯示「- 01 -」。測量結果 01 就是最新紀錄的測量結果。
3. 按下 ✓ 向前捲動。
測量結果號碼後面有測量值以及時間。
4. 要前往測量結果號碼的話，請按下 ✓ 直到測量結果號碼顯示，然後按下 ▲ 或是 ✱。
註 測量結果無法刪除。
5. 按住 ▲ 3 秒鐘以回到測量結果模式。

第 8 節 校正

此儀器經過原廠校準。不需要使用者自行校準。

8.1 標準校準調整

當校準需要調整以符合法規要求時，請使用標準校準調整 (SCA) 選項。使用標準校準調整 (SCA) 選項微調原廠校準，使儀器顯示期望的標準溶液數值。然後將調整後的校準用於所有測試結果。當試劑或儀器有些微差異時，此類調整可以提高測試的精確度。

註 對於擁有原廠校準範圍或方法的儀器，當使用者輸入的校準已輸入儀器時，標準校準調整 (SCA) 功能會停用。要將 SCA 再次設定為開啟狀態，請將儀器設定至原廠預設校準。請參閱 [設定為原廠預設校準](#) 第 131 頁。

8.1.1 進行標準校準調整

1. 請完成校準範圍的測試程序。針對樣品，請使用測試程序文件中提供的標準溶液濃度。
註 如果測試程序文件沒有提供標準溶液濃度，則可以使用不同的已知標準。
2. 當測試程序完成時，請按住 ▲ 3 秒鐘。
3. 按下 ▲ 直到顯示「SCA」字樣，然後按下 ✓。
畫面會顯示標準校準調整值。

4. 如果使用不同的已知標準，請輸入該標準的數值：

- a. 按下 ▲ 直到顯示「Edit」字樣，然後按下 ✓。
- b. 請輸入該標準的數值。

按下 ▲ 或 ✖，以變更閃爍的數字。按下 ✓ 前往下一位數。按下 □ 前往上一位數。

5. 按下 ✓，以將該標準校準調整值新增到原廠校準曲線。

8.1.2 將標準校準調整設定為關閉

要再次使用原廠預設校準，請將標準校準調整 (SCA) 設定為關閉。

1. 按住 ▲ 3 秒鐘以回到功能表模式。
2. 按下 ▲ 直到顯示「SCA」字樣，然後按下 ✓。
3. 按下 ▲ 直到顯示「CAL」字樣，然後按下 ✓。

註 要再次開啟 SCA 功能，請進行標準校準調整。

8.2 使用者輸入的校準曲線

本儀器支援使用者輸入的校準曲線。校準曲線可為 0 至 2.5 吸光度。請確定校準曲線涵蓋大於和小於目標範圍的標準值。

儀器範圍將會和校準範圍相同。例如，使用的標準值為 1.00、2.00 和 4.00 時，則儀器的範圍為 1.00 至 4.00。

輸入使用者校準曲線有兩種選擇：

- **用標準值輸入校準曲線**—使用鍵盤輸入標準溶液值，並測量吸光度值。
- **用鍵盤輸入校準曲線**—使用鍵盤輸入標準溶液值和吸光度值。

註 如果在使用者輸入的校準曲線完成前，將儀器關機或是移除電源，則不會儲存該校準曲線。持續 60 分鐘沒有進行任何操作的情況下，儀器會在使用者輸入校準的輸入模式下自動關機。當使用者離開校準模式 (cal) 或編輯模式時，即代表使用者輸入的校準完成。

8.2.1 用標準值輸入校準曲線

▲ 警告








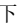


化學暴露危險。遵守實驗室安全程序，並針對所處理的化學品穿戴所有適當的個人防護裝備。請參閱現行的安全資料表 (MSDS/SDS) 以瞭解安全協定。






▲ 警告



化學暴露危險。請遵守當地、地區和國家法規要求處置化學品和廢棄物。

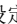






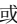
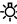

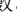
註 去離子水可作為空白溶液的替代品使用，除非樣本明顯較為混濁或是較去離子水顏色深。

1. 按下 ▲ 設定儀器範圍以進行校準 (例如 LR 或 HR)。
2. 請準備空白溶液。請參考測試程序。
3. 以無絨布清潔試樣槽。
4. 將儀器歸零。
 - a. 將空白溶液試樣槽插入槽室固定座。
 - b. 將儀器蓋安裝至槽室固定座上。
 - c. 按下 。顯示器會先顯示為「- - -」，然後顯示「0.00」字樣。
5. 按住 ▲ 3 秒鐘以回到功能表模式。
6. 按下 ▲ 直到顯示「USEr」字樣，然後按下 .
7. 按下 ▲ 直到顯示「CAL」字樣，然後按下 .
8. 當顯示器顯示「S0」時，按下 .
9. 空白測試值請輸入為 00.00 (或是 000.0)。
按下 ▲ 或 ，以變更閃爍的數字。按下  前往下一位數。按下  前往上一位數。
10. 當顯示器顯示「A0」時，按下  以測量空白溶液的吸光度。
顯示器會顯示「S0」的吸光度值。

11. 將試樣槽從槽室固定座移除。
12. 準備樣品。請參考測試程序。針對樣品，請使用測試程序文件中提供的標準溶液濃度。
13. 以無絨布清潔試樣槽。
14. 按下  以顯示「S1」(或是「Add」) 字樣，然後按下 .
15. 輸入第一個校準標準的濃度值，然後按下 .
16. 當顯示器顯示「A1」時，請按照以下步驟測量吸光度：
 - a. 將要測量的標準試樣槽插入槽室固定座。
 - b. 將儀器蓋安裝至槽室固定座上。
 - c. 按下 。顯示器會顯示「S1」的吸光度。
17. 透過兩個校準點完成校準。如果校準需要其它標準：
請再次執行步驟 11-16，以測量更多校準標準。
18. 將試樣槽從槽室固定座移除。
19. 立刻清空並沖洗試樣槽。以去離子水 (或是蒸餾水) 沖洗試樣槽及蓋子三次。
註 如果自來水參數的濃度比測量樣品的濃度低，可以用來作為替代品沖洗試樣槽。
20. 按住  3 秒鐘以回到測量結果模式。

8.2.2 用鍵盤輸入校準曲線

輸入使用者準備的校準曲線至少需要兩組資料對。每組資料對需要給定濃度的濃度值和吸光度值。最多可輸入 10 組資料對。

1. 按下  設定儀器範圍以進行校準 (例如 LR 或 HR)。
2. 按住  3 秒鐘以回到功能表模式。
3. 按下  直到顯示「USEr」字樣，然後按下 .
4. 按下  直到顯示「Edit」字樣，然後按下 .
5. 當顯示器顯示「S0」時，按下 .
6. 輸入第一組資料對。
第一組資料組是 S0 (濃度值) 和 A0 (吸光度值)。
 - 按下  或是 ，以變更閃爍的數字。
 - 按下  前往下一位數。
 - 按下  前往上一位數。

7. 請再次執行步驟 5 與 6，以輸入第二組資料組對 (S1 和 A1)。
8. 透過兩個資料對完成校準。如果校準需要其它資料組：
 - a. 當顯示「Add」字樣時，按下 ✓。
 - b. 請再次執行步驟 5 與 6，以輸入更多資料組。
9. 按住 ▲ 3 秒鐘以回到測量結果模式。

8.2.3 設定為原廠預設校準

如要從儀器中刪除使用者輸入的校準曲線，並使用原廠校準，請進行以下步驟：

1. 按住 ▲ 3 秒鐘以回到功能表模式。
2. 按下 ▲ 直到顯示「USEr」字樣，然後按下 ✓。
3. 按下 ▲ 直到顯示「dFL」（預設）字樣，然後按下 ✓。

第 9 節 維護保養

▲ 警告



多重危險。唯有合格的人員才能執行本章節中描述的作業。

注意

請勿拆解儀器以進行維護。若必須清潔或修復內部元件，請聯絡製造商。

9.1 清潔儀器

視需要，用濕布和溫和肥皂水溶液清潔儀器外部，然後將儀器擦乾。

9.2 清潔試樣槽

▲ 警告



化學暴露危險。遵守實驗室安全程序，並針對所處理的化學品穿戴所有適當的個人防護裝備。請參閱現行的安全資料表 (MSDS/SDS) 以瞭解安全協定。

▲ 警告



化學暴露危險。請遵守當地、地區和國家法規要求處置化學品和廢棄物。

大部分實驗室清潔劑都在建議濃度下使用。當必須定期清潔時，使用如 Liquinox 的中性清潔劑較為安全。為了縮短清潔時間，請增加溫度或是使用超聲波清理。為了完成清潔，請用去離子水沖洗數次後，讓試樣槽風乾。

試樣槽也可用酸性洗劑清潔，之後要用去離子水徹底沖洗。

註 如要清潔用於低量金屬測試的試樣槽，請務必使用酸性洗劑。

不同程序各自需要特殊的清潔方法。使用刷子清潔試樣槽時，請特別注意避免刮傷試樣槽的內部表面。


9.3 請更換電池

當電池電量較低時，請更換電池。請參閱 [安裝電池](#) 第 120 頁。

第 10 節 疑難排解

| 錯誤 | 說明 | 解決方案 |
|------|---------------------|---|
| E-00 | 沒有歸零 | 在使用者校準模式中，將儀器設定歸零前要先測量標準溶液。請先測量空白溶液，以將儀器設定歸零。 |
| E-01 | 環境光錯誤 ⁷ | 槽室固定座中有環境光。請確定儀器蓋已完整安裝在槽室固定座上。請參閱 進行測試 第 124 頁。 |
| E-02 | LED 錯誤 ⁷ | LED (光源) 不符規範。請更換電池。按下 <input checked="" type="checkbox"/> 或 <input type="checkbox"/> 時，請確保槽室固定座中的 LED 亮起。 |
| E-03 | 標準調整錯誤 | <ul style="list-style-type: none">標準溶液的測量值超出調整限制。請準備新的標準溶液。標準溶液不在可用作標準校準調整的濃度範圍內。請準備標準溶液，其數值必須等於或是接近測試程序所提供的建議濃度。請確認已正確輸入標準溶液的濃度。 |

⁷ 當測量時出現 E-01 或是 E-02 錯誤，顯示器會顯示「_._」。小數位取決於化學成分。如果將儀器歸零時出現 E-01 或是 E-02 錯誤，請將儀器再次歸零。

| 錯誤 | 說明 | 解決方案 |
|------------------------------|---------------------------|--|
| 讀數閃爍後出現 E-04 | 讀數大於或小於儀器範圍。 ⁸ | 如果數值低於測試範圍，請確定儀器蓋已完整安裝在槽室固定座上。測量空白溶液。如果空白溶液數值並非為零，請將儀器再次歸零。 |
| | | 如果數值大於儀器範圍，請確認槽室固定座內是否有光線遮擋。稀釋樣品。再次進行測試。 |
| E-06 | 吸光度錯誤 | 吸光度值不正確，或是使用者輸入的校準曲線少於兩個點。請再次輸入或測量吸光度。 |
| E-07 | 標準值錯誤 | 標準溶液濃度與已輸入使用者輸入校準曲線的標準溶液濃度相同。請輸入正確的標準溶液濃度。 |
| E-09 | 快閃記憶體錯誤 | 儀器無法儲存檔案。按住  5 秒鐘以重設儀器。 |
| E-10 | 環境溫度過高或過低 | 環境溫度超出範圍。請僅在指定操作條件下使用儀器。請參閱 規格 第 116 頁。 |
| E-12 | 低電量 | 電池電量過低。請更換電池。請參閱 安裝電池 第 120 頁。 |
| E-13 | 參數讀取失敗 | 儀器記憶體出現瑕疵。請聯絡技術支援。 |
| 若數值零未出現，E-14 之後會顯示「_ _」或是「0」 | 歸零測量無效 | 歸零測量值太低。請使用裝滿水的試樣槽再次嘗試。如果錯誤仍然存在，請聯絡技術支援。 |
| E-15 之後顯示「_ _」 | 吸光度太高 | 請確認槽室固定座內是否有光線遮擋。請清潔槽室固定座。稀釋樣品。再次進行測試。 註 儀器無法讀取高於 3.5 Abs. 的吸光度。 |
| E-20 | 信號測量超出範圍 | 感光器感測到過多光線。請確定儀器蓋已完整安裝在槽室固定座上。再次進行測試。如果錯誤仍然存在，請聯絡技術支援。 |
| E-21 | 信號測量不穩定 | 感光器有不穩定信號。有過多或是不穩定的環境光。請確定儀器蓋已完整安裝在槽室固定座上。再次進行測試。如果錯誤仍然存在，請聯絡技術支援。 |
| E-22 | 硬體錯誤 | 電子系統出現瑕疵。請聯絡技術支援。 |

⁸ 閃爍數值大超過測試範圍上限 10%。

以下錯誤可能在儀器更新後立刻發生。

| 錯誤 | 說明 | 解決方案 |
|------|----------|-----------------------------------|
| E-30 | 沒有應用程式 | 應用程式更新時出現錯誤。此儀器未找到有效應用程式。請再次更新儀器。 |
| E31 | 啟動程式更新失敗 | 啟動程式更新傳輸時出現錯誤。請再次更新啟動程式。 |
| E-32 | 應用程式更新失敗 | 應用程式更新傳輸時出現錯誤。請再次更新儀器。 |
| E-66 | 更新失敗 | 儀器出現瑕疵。請聯絡技術支援。 |

第 11 節 更換零件和配件

▲ 警告



有使人受傷的危險。使用未經核准的零件可能造成人員受傷、儀器受損或設備故障。本節中的更換零件已經過製造商認可。

註 某些銷售地區可能有不同的產品和文章編號。請聯絡適當的經銷商，或是參閱公司網站上的聯絡資訊。

更換零件

| 說明 | 數量 | 項目編號 |
|-------------------------|--------|-----------------|
| 4 號鹼性電池 | 每包 4 個 | 4674300 |
| 儀器蓋 | 1 | LPZ445.99.00006 |
| 電池蓋 | 1 | LPZ445.99.00007 |
| 試樣槽, 25 mm (10 mL), 玻璃製 | 每包 6 個 | 2427606 |
| 試樣槽, 1 cm (10 mL), 塑料 | 每包 2 個 | 4864302 |

配件

| 說明 | 數量 | 項目編號 |
|---------------------------|----|-----------------|
| Hach Communication Dongle | 1 | LPV446.99.00012 |
| 軟面箱/套 | 1 | 5953100 |

目次

- | | |
|--------------------------------|------------------------|
| 1 仕様 136 ページ | 7 測定値の表示 148 ページ |
| 2 総合情報 137 ページ | 8 校正 148 ページ |
| 3 電池の取り付け 140 ページ | 9 メンテナンス 153 ページ |
| 4 ユーザーインターフェースとナビゲーション 141 ページ | 10 トラブルシューティング 154 ページ |
| 5 時刻の設定 143 ページ | 11 交換部品とアクセサリー 156 ページ |
| 6 測定を実行する 144 ページ | |

第1章 仕様

この仕様は予告なく変更されることがあります。

| 仕様 | 詳細 |
|----------------|---|
| 寸法 (W x H x D) | 6.9 x 15.7 x 3.4 cm(2.7 x 6.2 x 1.3 インチ) |
| 筐体 | IP67、水深 1 m で 30 分の放置に耐える防水構造 (バッテリーコンパートメントが閉じられロックされている場合) |
| 光源 | 発光ダイオード (LED) |
| 検出器 | シリコンフォトダイオード |
| ディスプレイ | バックライト付き LCD |
| 質量 | 0.25 kg (0.55 lb) |
| 電源要件 | 単四電池 4 本で約 5000 回の測定が可能 (バックライトを使用すると測定可能回数が減少) 充電式電池の使用は不可。 |
| 動作環境 | 0 ~ 50 °C、相対湿度 0 ~ 90 %、結露のないこと |
| 保管温度 | -20 ~ 55 °C、相対湿度 0 ~ 80%、結露なきこと |
| 波長 | 固定波長 ±2 nm、各モデルで異なる |
| フィルター帯域幅 | 15 nm |
| 吸光度範囲 | 0 ~ 2.5 Abs |
| 試料セル | 1 インチ (25 mm · 10 mL)、1 cm (10 mL) |
| データメモリー | 最新の 50 個の測定値 |

| 仕様 | 詳細 |
|-------------------------|---|
| Bluetooth® ¹ | Bluetooth® は、Hach 通信 Dongle が取り付けられると有効になります。 |
| 認証 | CE |
| 保証 | 1 年 (EU: 2 年) |

第 2 章 総合情報

いかなる場合も、例えそのような損害が生じる可能性について報告を受けていたとしても、製造元は、本マニュアルに含まれるいかなる瑕疵または脱落から生じる直接的、間接的、特定、付随的または結果的に生じる損害に関して責を負いません。製造元は、通知または義務なしに、随時本マニュアルおよび製品において、その記載を変更する権利を留保します。改訂版は、製造元の Web サイト上にあります。

2.1 安全情報

メーカーは、本製品の目的外使用または誤用に起因する直接損害、偶発的損害、結果的損害を含むあらゆる損害に対して、適用法で認められている範囲で一切責任を負わないものとします。ユーザーは、適用に伴う危険性を特定したり、装置が誤作動した場合にプロセスを保護するための適切な機構を設けることに関して、全責任を負うものとします。

この機器の開梱、設定または操作を行う前に、このマニュアルをすべてよく読んでください。危険および注意の注意事項に注意を払ってください。これを怠ると、使用者が重傷を負う可能性、あるいは機器が損傷を受ける可能性があります。

本装置に備わっている保護機能が故障していないことを確認します。本マニュアルで指定されている以外の方法で本装置を使用または設置しないでください。

2.1.1 危険情報

▲ 危険

回避しないと死亡または重傷につながる潜在的または切迫した危険な状況を示します。

¹ Bluetooth® マークとロゴは、Bluetooth SIG, Inc. が登録している商標です。このマークは、HACH が使用許諾を得て使用しています。

▲ 警告

回避しなければ、死亡または重傷につながるおそれのある潜在的または切迫した危険な状況を示します。

▲ 注意



軽傷または中程度のけがをする事故の原因となる可能性のある危険な状況を示します。

告知

回避しなければ、本製品を損傷する可能性のある状況や、特に強調したい情報を示します。特に注意を要する情報。

2.1.2 使用上の注意ラベル

測定器上に貼付されたラベルや注意書きを全てお読みください。これに従わない場合、人身傷害や装置の損傷につながるおそれがあります。測定器に記載されたシンボルは、使用上の注意と共にマニュアルを参照してください。

| | |
|--|--|
|  | この記号が測定器に記載されている場合、操作用の指示マニュアル、または安全情報を参照してください。 |
|  | このシンボルが付いている電気機器は、ヨーロッパ域内または公共の廃棄処理システムで処分できません。古くなったり耐用年数を経た機器は、廃棄するためにメーカーに無償返却してください。 |

2.1.3 認証

カナダの障害発生機器規則、IECS-003、クラス B:

テスト記録はメーカーにあります。

このクラス B デジタル装置はカナダの障害発生機器規則の要件をすべて満たします。

Cet appareil numérique de classe B répond à toutes les exigences de la réglementation canadienne sur les équipements provoquant des interférences.

FCC PART 15、クラス「B」 限度値

テスト記録はメーカーにあります。この機器は FCC 規則のパート 15 に準拠します。この機器の動作は以下の条件を前提としています:

1. この装置が有害な干渉の原因とならないこと。
2. この装置が望ましくない動作の原因となる可能性のある干渉を含めた、いかなる干渉にも対応しなければなりません。

これらの規格への準拠に責任を持つ当事者による明示的承認を伴わずにこの装置に対する改変または改造を行うと、ユーザーはこの機器を使用する権限を失う可能性があります。本機器は、FCC 規則第 15 章に定められたクラス B デジタル機器に関する規制要件に基づいて所定の試験が実施され、これに適合するものと認められています。これらの制限は、この機器が商用の環境で使用されたときに、有害な干渉から適切に保護することを目的に設定されています。この機器は、無線周波数エネルギーを生成および使用するもので、取り扱い説明書に従って取り付けおよび使用しない場合にはそれを放射する場合があります、無線通信に対して有害な干渉を発生させる可能性があります。住宅地域における本装置の使用は有害な電波妨害を引き起こすことがあり、その場合ユーザーは自己負担で電波妨害の問題を解決する必要があります。干渉の問題を軽減するために以下の手法が利用可能です。

1. 妨害を受けている装置から本装置を離します。
2. 妨害を受けている装置の受信アンテナの方向および位置を変えてみます。
3. 上記の措置を組み合わせてみます。

2.2 製品の概要

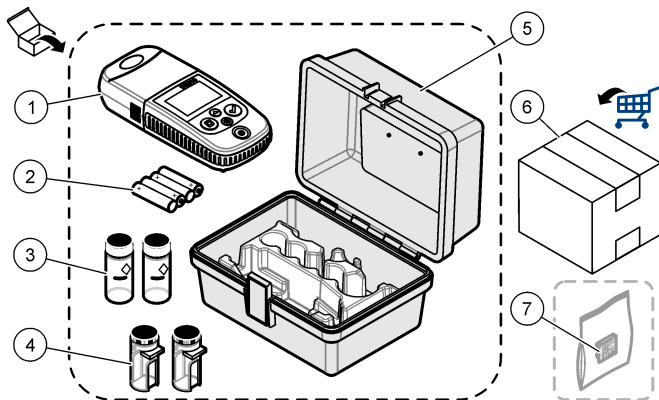
この装置は、水の検査に使用する携帯型フィルター光度計です。

注: この装置は米国内で、医療用途で塩素およびクロラミンを測定するための認定を受けていません。

2.3 製品の梱包

すべての構成部品が揃っていることを確認します。図 1 を参照してください。コンポーネントが不足していたり損傷していたりした場合は、直ちに HACH 販売代理店にお問い合わせください。図 1 には、LPV445.99.00110 に付属の部品が例示されています。その他の装置には、別のコンポーネントが付属しています。

図 1 製品の梱包



| | |
|----------------------------|---------------------------|
| 1 DR 300 | 5 保管ケース |
| 2 単四アルカリ電池 | 6 Reagents (試薬) |
| 3 試料セル、1 インチ (10 mL)、ガラス | 7 Hach 通信ドングル (オプション、別売り) |
| 4 試料セル、1 cm (10 mL)、プラスチック | |

第 3 章 電池の取り付け

▲ 警告



爆発の危険。バッテリーを正しく入れないと、爆発性ガスが発生する可能性があります。バッテリーが指定の化学型であり 3 本とも同じ型であることと、正しい方向に入れられていることを確認してください。新しいバッテリーと古いバッテリーを混ぜて使用しないでください。


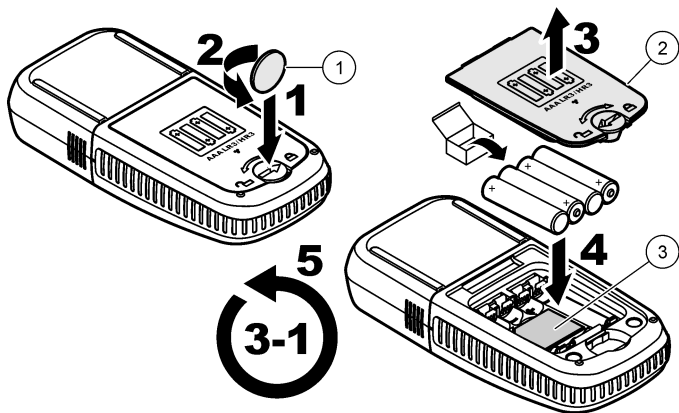
電池の挿入方法については、図 2 を参照してください。次に、 を押して、装置をオンに設定します。

図 2 電池の取り付け



| | |
|---------|---------------------------------|
| 1 コイン | 3 ドングル用プラスチックインサート ² |
| 2 電池カバー | |

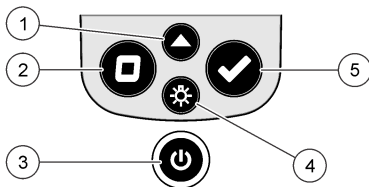
第 4 章 ユーザーインターフェースとナビゲーション

4.1 キーパッドの説明

図 3 に、キーパッドとキーの機能を示します。

² Hach 通信ドングルを挿入するには、プラスチックインサートのみを取り外します。ドングルに付属の取扱説明書を参照してください。

図 3 キーパッド



1 範囲キー: 測定範囲を選択します (例: LR または HR)。3 秒間押すと、メニューモードが開始または終了します。
メニューモードでは、上にスクロールすると選択した桁の値が増加します。

2 ゼロキー: 測定前にゼロ値を設定します。
メニューモードでは、1 つのメニューレベルごとに戻るか、カーソルを動かして前の桁に移動します。

3 電源キー: 電源をオンまたはオフにします。
5 秒間押すと、装置がリセットされます。校正は削除されません。

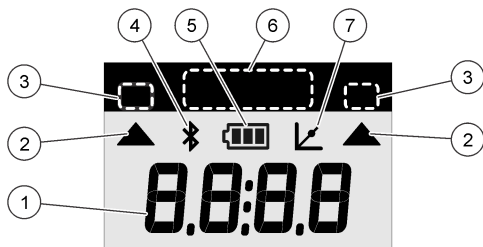
4 バックライトキー: バックライトをオンまたはオフにします。
メニューモードでは、下にスクロールすると選択した桁の値が増加します。

5 読み取りキー: 試料の測定を開始します。
メニューモードでは、表示されたメニューオプションを選択するか、カーソルを動かして次の桁に移動します。

4.2 ディスプレイの説明

図4に、ディスプレイに表示される値とアイコンを示します。

図4 ディスプレイ



| | |
|--|---|
| 1 数値ディスプレイ: 測定値またはメニューオプション | 5 バッテリーアイコン: 電池残量を示します。電池残量が少なくなると点滅します。 |
| 2 範囲アイコン: 選択した測定範囲を示します | 6 パラメーター範囲と測定範囲 |
| 3 測定範囲またはパラメーター | 7 校正調整済みアイコン: 工場出荷時のデフォルトの校正が調整されたか、ユーザー入力 of 検量線が入力されると表示されます。 |
| 4 Bluetooth® アイコン: Bluetooth® が有効 ³ 。 | |

第5章 時刻の設定

時刻 (24 時間形式) を設定します。

- ▲を3秒間押して、メニューモードに入ります。
時刻が表示されます (00:00)。
- ✓を押して、時刻を変更します。
- ▲または✱を押して、点滅している数字を変更します。✓を押して、次の桁に進みます。□を押して、前の桁に戻ります。

³ Hach 通信 dongle が取り付けられる则表示されます。

第6章 測定を実行する

▲ 危険



化学的および生物学的な危険。この装置の用途が処理工程や薬液注入システムの監視であり、それらに対して公衆衛生、公衆安全、食品/飲料の製造/加工に関する規制や監視要件が存在する場合、この装置の使用者には、該当するすべての規制を把握して遵守する責任、および装置の異常時に関する当該規制に従って十分かつ適切な措置を講じる責任があります。

▲ 危険



化学物質による人体被害の危険。検査室の安全手順に従い、取り扱う薬品に適した個人用保護具をすべて装着してください。安全手順に関する現在の安全性データシート (MSDS/SDS) を参照してください。

▲ 注意



化学物質による人体被害の危険。化学物質および廃液は、地域、県、または国の環境規制に従って廃棄してください。

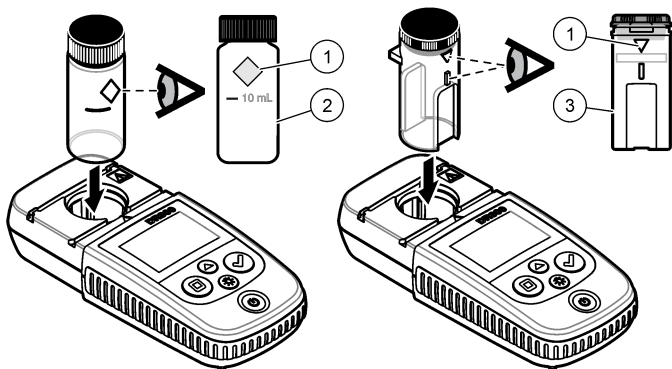
測定を実行するための一般的な手順に従います。

特定のパラメーター (塩素など) 測定を実行するには、メーカーの Web サイトから測定手順をダウンロードします。測定手順のダウンロード 147 ページを参照してください。

1. ▲ を押して、該当する測定範囲 (例: LR または HR) を選択します。
2. ブランクを準備します。測定手順を参照してください。
3. 糸くずのない布で試料セルを拭いてください。
4. ブランク試料セルをセルホルダーに挿入します。優れた再現性および精度を確保するために、ブランク試料セルは常に正しい向きで取り付けてください。図 5 を参照してください。
5. セルホルダーの上に装置キャップを取り付けます。図 6 を参照してください。
6. □ を押して、装置をゼロに設定します。

7. ブランク試料セルを取り外します。
8. 試料を準備します。測定手順を参照してください。
9. 糸くずのない布で試料セルを拭いてください。
10. 試料セルをセルホルダーに挿入します。優れた再現性および精度を確保するために、試料セルは常に正しい向きで取り付けてください。
図 5 を参照してください。
11. セルホルダーの上に装置キャップを取り付けます。図 6 を参照してください。
12. ✓ を押します。結果がディスプレイに濃度単位または吸光度で表示されます。
注: 結果が装置の範囲を下回るまたは上回る場合は、結果が点滅します。
13. セルホルダーから試料セルを取り外します。
14. 試料セルを直ちに空にして、すすぎます。試料セルとキャップを脱イオン水 (または蒸留水) で 3 回すすぎます。
注: 別の方法として、測定した試料が水道水より濃度が濃い場合、水道水を使用して試料セルをすすぎます。

図 5 試料セルの方向



1 方向目印⁴

2 試料セル、25 mm
(10 mL)、ガラス⁵

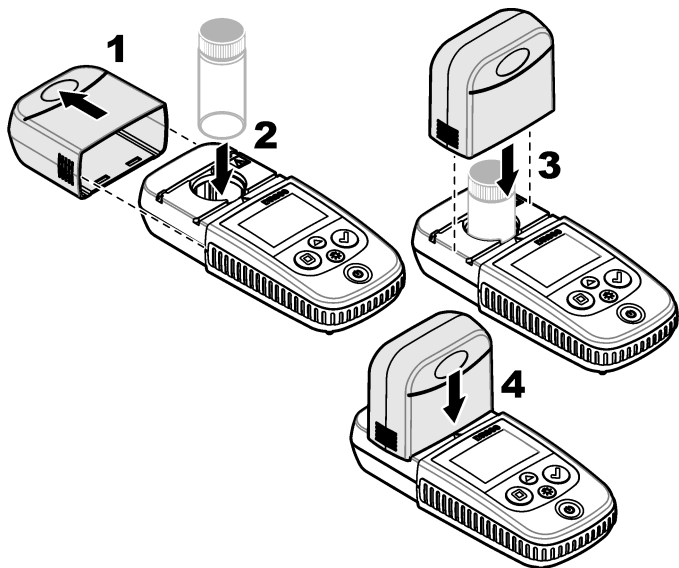
3 試料セル、1 cm
(10 mL)、プラスチック⁶

⁴ 一部の装置には方向目印のない試料セルがあります。

⁵ 低レンジ塩素試験にはガラス試料を使用します。

⁶ 高レンジ塩素試験にはプラスチック試料を使用します。

図 6 セルホルダーの上に装置キャップを取り付ける



6.1 測定手順のダウンロード

1. に移動します <http://www.hach.com>.
2. 検索ボックスに、「DR300」と入力します。
3. [検索タイプ]ボックスの左側にある[ダウンロード]オプションを選択します。
4. [Methods/Procedures (メソッド/手順)] までスクロールします。
5. 該当する測定手順のリンクをクリックして、ダウンロードします。

第7章 測定値の表示

注: 装置には、最大 50 件の測定値が保存されます。測定を 50 件実行した後、それ以降の測定値は、最も古い測定値と置き換えられます。

1. ▲(入力) キーを 3 秒間押し続けてください。
2. 「rCL」が表示されるまで▲を押し、✓を押します。
「- 01 -」が表示されます。[Measurement 01] は、最新の測定結果です。
3. ✓を押して、前方向にスクロールします。
測定番号の後に、測定値と時刻が表示されます。
4. 測定番号に移動するには、測定番号が表示されるまで、✓を押してから、▲または✱を操作します。
注: 測定値は削除できません。
5. ▲を 3 秒間押して、メニューモードに入ります。

第8章 校正

この装置は工場出荷時に校正済みです。ユーザーによる校正は不要です。

8.1 標準校正

校正を規制上の要件と一致するよう調整する必要がある場合、標準校正調整 (SCA) オプションを使用します。標準校正調整 (SCA) オプションを使用して工場校正を微調整すると、装置に標準液の予測値が表示されます。調整された校正はすべての試験結果に使用されます。試薬や装置にわずかな変化が生じた場合、この調整により試験の精度が向上します。

注: 工場校正の範囲またはメソッドを使用した装置の場合、ユーザー入力の校正が装置に入力されると、標準校正調整 (SCA) 機能は無効になります。SCA を有効にするには、装置を工場出荷時のデフォルトの校正に設定します。工場出荷時の検査線に戻す。152 ページを参照してください。

8.1.1 標準校正調整の実行

1. 校正する範囲の測定手順を完了します。試料の場合、測定手順文書に記載されている標準液の濃度を使用します。
注: 標準液の濃度が測定手順の文書に記載されていない場合、別の不明な標準を使用できません。
2. 測定手順が完了した場合、▲を3秒間押します。
3. 「SCA」が表示されるまで▲を押し、✓を押します。
ディスプレイに標準校正調整の値が表示されます。
4. 別の不明な標準が使用されている場合、その標準の値を入力します。
 - a. [EDIT (編集)]が表示されるまで▲を押し、 を押します。✓
 - b. 標準の値を入力します。
▲または✱を押して、点滅している数字を変更します。✓を押して、次の桁に進みます。□を押して、前の桁に戻ります。
5. ✓を押して、工場検量線に標準校正調整の値を追加します。

8.1.2 標準校正調整をオフに設定する

工場出荷時のデフォルトの校正を再度使用するには、標準校正調整(SCA)をオフに設定します。

1. ▲を3秒間押して、メニューモードに入ります。
2. 「SCA」が表示されるまで▲を押し、✓を押します。
3. 「OFF」(オフ)が表示されるまで▲を押し、✓を押します。

注: SCA 機能を再度オンにするには、標準校正調整を実行します。

8.2 ユーザー入力の検量線

この装置では、ユーザーが準備した検量線を使用できます。検量線は吸光度0～2.5の範囲で使用できます。検量線に目的の濃度範囲を下回るまたは上回る標準値が含まれていることを確認してください。

装置の範囲は、校正範囲と同じになります。たとえば、使用する標準が1.00、2.00、4.00の場合、装置の範囲は1.00～4.00です。

ユーザーによる検量線の入力方法には、次の2つがあります。

- **標準での検量線の入力**—標準液値をキーボードで入力し、吸光度値は測定します。

- キーボードでの検量線の入力—標準液値と吸光度値をキーボードで入力します。

注: ユーザー入力の検量線が完成する前に装置をオフにしたり、装置の電源を切断した場合、検量線は保存されません。ユーザー入力の校正入力モードで60分以上何も操作を行わないと、装置は自動的にオフになります。ユーザーが校正(cal)モードまたは編集モードを終了すると、ユーザー入力の校正が完了します。

8.2.1 標準の検量線の入力

▲ 警告




化学物質に曝露する危険。検査室の安全手順に従い、取り扱う薬品に適した個人用保護具をすべて装着してください。安全手順に関する現在の安全性データシート (MSDS/SDS) を参照してください。

▲ 注意



化学物質による人体被害の危険。化学物質および廃液は、地域、県、または国の環境規制に従って廃棄してください。

注: 試料が脱イオン水よりも大幅に濁度が高いまたは色が濃い場合を除き、ブランクには脱イオン水を使用できます。

1. ▲を押して、校正する範囲に装置を設定します (例: LR または HR)。
2. ブランクを準備します。測定手順を参照してください。
3. 糸くずのない布で試料セルを拭いてください。
4. 装置をゼロに設定します。
 - a. ブランク試料セルをセルホルダーに挿入します。
 - b. セルホルダーの上に装置キャップを取り付けます。
 - c.  を押します。ディスプレイに「- - -」と表示され、続けて「0.00」と表示されます。
5. ▲を3秒間押して、メニューモードに入ります。
6. 「USER」が表示されるまで▲を押し、✓を押します。

7. 「SCA」が表示されるまで▲を押し、✓を押しします。
8. ディスプレイに「S0」が表示されたら、✓を押しします。
9. ブランク値として、00.00 (または 000.0) を入力します。
▲または✳️を押して、点滅している数字を変更します。✓を押して、次の桁に進みます。□を押して、前の桁に戻ります。
10. ディスプレイに「A0」が表示されたら✓を押しブランクの吸光度を測定します。
ディスプレイに「S0」の吸光度値が表示されます。
11. セルホルダーから試料セルを取り外します。
12. 試料を準備します。測定手順を参照してください。試料の場合、測定手順文書に記載されている標準液の濃度を使用します。
13. 糸くずのない布で試料セルを拭いてください。
14. ✳️を押して、「S1」(または「Add」(追加)) を表示してから、✓を押しします。
15. 最初の標準液の濃度値を入力して、✓を押しします。
16. ディスプレイに「A1」と表示された場合、吸光度値を測定する手順に従います。
 - a. 反応済み標準液セルをセルホルダーに挿入します。
 - b. セルホルダーの上に装置キャップを取り付けます。
 - c. ✓を押しします。ディスプレイに「S1」の吸光度値が表示されません。
17. 2つの校正ポイントで校正が実行されます。校正に追加の標準液が必要な場合は、次の手順に従います。
手順 11～16 を再度実行して、追加の標準液を入力します。
18. セルホルダーから試料セルを取り外します。
19. 試料セルを直ちに空にして、すすぎます。試料セルとキャップを脱イオン水 (または蒸留水) で3回すすぎます。
注: 水道水のパラメーターの濃度が測定した試料に満たない場合、水道水を使用して試料セルをすすぐことができます。
20. ▲を3秒間押し、メニューモードに入ります。

8.2.2 キーボードでの検量線の入力

ユーザーが準備した検量線を入力するには、少なくとも 2 個のデータが必要です。各データには、濃度値とその吸光度値が必要です。最大 10 個のデータを入力できます。

1. ▲を押して、校正する範囲に装置を設定します (例: LR または HR)。
2. ▲を 3 秒間押して、メニューモードに入ります。
3. 「USER」が表示されるまで ▲ を押し、✓ を押します。
4. [EDIT (編集)] が表示されるまで ▲ を押し、✓ を押します。
5. ディスプレイに「S0」が表示されたら、✓ を押します。
6. 最初のデータを入力します。
最初のデータは、S0 (濃度値) と A0 (吸光度値) です。
 - ▲または✱を押して、点滅している数字を変更します。
 - ✓を押して、次の桁に進みます。
 - □を押して、前の桁に戻ります。
7. 手順 5 ~ 6 を再度実行して、2 番目のデータ (S1 と A1) を入力します。
8. 2 個のデータで校正が実行されます。校正に追加のデータが必要な場合は、次の手順に従います。
 - a. 「Add」と表示されたら、✓ を押します。
 - b. 手順 5 ~ 6 を再度実行して、追加のデータを入力します。
9. ▲を 3 秒間押して、メニューモードに入ります。

8.2.3 工場出荷時の検量線に戻す。

装置からユーザー入力 of 検量線を削除するには、工場校正を選択して、次の手順を実行します。

1. ▲を 3 秒間押して、メニューモードに入ります。
2. 「USER」が表示されるまで ▲ を押し、✓ を押します。
3. 「dFL」(デフォルト) が表示されるまで ▲ を押し、✓ を押します。

第9章 メンテナンス

▲ 注意



複合的な危険。本書のこのセクションに記載されている作業は、必ず資格のある要員が行う必要があります。

告知

メンテナンスのために装置を分解しないでください。内部のコンポーネントを清掃するか、または修理する場合は、メーカーにお問合せください。

9.1 装置の清掃

装置の外装を湿らせた布と中性石鹼液で清掃し、必要に応じて装置を拭き取って乾燥させます。

9.2 試料セルの洗浄

▲ 注意



化学物質に曝露する危険。検査室の安全手順に従い、取り扱う薬品に適した個人用保護具をすべて装着してください。安全手順に関する現在の安全性データシート (MSDS/SDS) を参照してください。

▲ 注意



化学物質による人体被害の危険。化学物質および廃液は、地域、県、または国の環境規制に従って廃棄してください。

ほとんどの検査室用洗剤が推奨濃度で使用できます。定期的な洗浄が必要な場合、Liquinox などの自然洗剤の方が安全に使用できます。洗浄回数を減らすには、温度を上げるか超音波バスを使用します。洗浄を完了するには、脱イオン水で数回洗い試料セルを空気乾燥します。試料セルは酸で洗浄後、脱イオン水で十分洗うこともできます。

注: 低レベルの金属試験に使用された試料セルの洗浄には、常に酸を使用します。

個別の手順には特殊洗浄方法が必要です。試料セルの洗浄にブラシを使用する場合、試料セルの内部表面を傷つけないように特に注意が必要です。

9.3 バッテリーの交換

バッテリー残量が少ない場合は、バッテリーを交換します。電池の取り付け 140 ページを参照してください。

第 10 章 トラブルシューティング

| エラー | 説明 | 対処方法 |
|------|----------------------|--|
| E-00 | ゼロに設定されていない | ユーザー校正モードで、装置をゼロに設定する前に標準液が測定されました。ブランク溶液を測定して、装置をゼロに設定します。 |
| E-01 | 周辺光エラー ⁷ | セルホルダーに周辺光が入り込んでいます。装置キャップがセルホルダーにしっかりと取り付けられていることを確認します。測定を実行する 144 ページを参照してください。 |
| E-02 | LED エラー ⁷ | LED (光源) が規定値外です。電池を交換してください。✓ または □ を押したときにセルホルダー内の LED が点灯することを確認します。 |
| E-03 | 標準調整エラー | <ul style="list-style-type: none">標準液の測定値が調整範囲を超えています。未使用の標準液を使用してください。標準液が、標準校正で使用する濃度範囲に収まっていません。手順で示している推奨濃度値またはそれに近い値の標準液を使用してください。標準液の濃度を正しく入力したことを確認します。 |

⁷ 測定で E-01 または E-02 エラーが発生した場合、ディスプレイに「_」と表示されます。小数点の位置は、測定項目によって異なります。装置をゼロに設定しているときに E-01 または E-02 エラーが発生した場合は、再度装置をゼロに設定します。

| エラー | 説明 | 対処方法 |
|---|------------------------------|---|
| 測定値が点滅し、E-04 が表示 | 読み取り値が装置の範囲外です。 ⁸ | 読み取り値が装置の範囲を下回っている場合は、装置キャップがセルホルダーにしっかりと取り付けられていることを確認してください。ブランクを測定します。ブランクの読み取り値がゼロ以外の場合は、装置を再度ゼロに設定します。 |
| | | 読み取り値が装置の範囲を上回っている場合は、セルホルダー内で光が遮られていないか確認します。または、試料を希釈して再度検査を行います。 |
| E-06 | 吸光度エラー | 吸光度値が正しくないか、ユーザー入力 of 検量線のポイント数が 2 ポイント未満です。吸光度値を再度入力するか測定します。 |
| E-07 | 標準値エラー | 標準液の濃度が、ユーザー入力 of 検量線にすでに入力されている別の標準液の濃度と同じです。正しい標準液の濃度を入力します。 |
| E-09 | フラッシュエラー | 装置はデータを保存できません。⏻ を 5 秒間押して、装置をリセットします。 |
| E-10 | 環境温度が高すぎる、または低すぎる | 周囲温度が範囲外です。指定された操作条件でのみ、装置を使用してください。仕様 136 ページを参照してください。 |
| E-12 | 電池残量低下 | 電池残量が低すぎます。電池を交換してください。電池の取り付け 140 ページを参照してください。 |
| E-13 | パラメーターの読み込み失敗 | 装置のメモリが破損しています。技術サポートにお問い合わせください。 |
| E-14 の後に「_._」または「0」が表示される (ゼロが表示されない場合) | ゼロ測定が無効 | ゼロ測定の値が低すぎます。水を満たした試料セルを使用して、もう一度試してください。エラーが解決しない場合は、技術サポートにお問い合わせください。 |

⁸ 点滅する値は、検査範囲の上限を 10 % 超えた値になります。

| エラー | 説明 | 対処方法 |
|---------------------|-----------|--|
| E-15 の後に「. _」が表示される | 吸光度が高すぎる | セルホルダー内で光が遮られていないか確認します。セルホルダーを洗浄します。または、試料を希釈して再度検査を行います。 注: この装置は、3.5 Abs 以上の吸光度の値を読み込むことはできません。 |
| E-20 | 信号測定が範囲外 | 受光部に過剰に光が当たっています。装置キャップがセルホルダーにしっかりと取り付けられていることを確認します。再度検査を行います。エラーが解決しない場合は、技術サポートにお問い合わせください。 |
| E-21 | 信号測定が不安定 | 受光部の信号が不安定です。周辺光が過剰であるか不安定です。装置キャップがセルホルダーにしっかりと取り付けられていることを確認します。再度検査を行います。エラーが解決しない場合は、技術サポートにお問い合わせください。 |
| E-22 | ハードウェアエラー | 電気系統に不具合があります。技術サポートにお問い合わせください。 |

装置の更新直後に、次のエラーが発生します。

| エラー | 説明 | 対処方法 |
|------|----------------|---|
| E-30 | アプリケーションがない | アプリケーションの更新中にエラーが発生しました。装置に有効なアプリケーションが見つかりませんでした。装置をもう一度更新します。 |
| E31 | ブートロードの更新に失敗 | ブートロードの更新の転送中に、エラーが発生しました。もう一度ブートロードを更新します。 |
| E-32 | アプリケーションの更新に失敗 | アプリケーションの更新の転送中に、エラーが発生しました。装置をもう一度更新します。 |
| E-66 | 更新の失敗 | 装置が故障しています。技術サポートにお問い合わせください。 |

第 11 章 交換部品とアクセサリ

▲ 警告



人体損傷の危険。未承認の部品を使用すると、負傷、装置の破損、または装置の誤作動を招く危険性があります。このセクションでの交換部品は、メーカーによって承認済みです。

注: プロダクト番号とカタログ番号は、一部の販売地域では異なる場合があります。詳細は、取り扱い販売店にお問い合わせください。お問い合わせ先については、当社の **Web** サイトを参照してください。

交換部品

| 説明 | 数量 | アイテム番号 |
|--------------------------|-----|-----------------|
| 単四アルカリ電池 | 4 本 | 4674300 |
| 装置キャップ | 1 | LPZ445.99.00006 |
| 電池カバー | 1 | LPZ445.99.00007 |
| 試料セル、1 インチ (10 mL)、ガラス | 6 個 | 2427606 |
| 試料セル、1 cm (10 mL)、プラスチック | 2 個 | 4864302 |

アクセサリ

| 説明 | 数量 | アイテム番号 |
|----------------|----|-----------------|
| Hach 通信 Dongle | 1 | LPV446.99.00012 |
| ソフトケース/ホルスター | 1 | 5953100 |

목차

- | | |
|--------------------------|------------------------|
| 1 사양 158 페이지 | 7 측정값 표시 170 페이지 |
| 2 일반 정보 159 페이지 | 8 교정 170 페이지 |
| 3 배터리 설치 162 페이지 | 9 유지관리 174 페이지 |
| 4 사용자 인터페이스 및 탐색 163 페이지 | 10 문제 해결 176 페이지 |
| 5 시각 설정 165 페이지 | 11 교체 부품 및 부속품 178 페이지 |
| 6 테스트 수행 166 페이지 | |

색션 1 사양

사양은 사전 예고 없이 변경될 수 있습니다.

| 사양 | 세부 사항 |
|---------------|--|
| 치수(W x H x D) | 6.9 x 15.7 x 3.4cm(2.7 x 6.2 x 1.3인치) |
| 외함 | IP67, 배터리를 닫고 잠금 경우 1m(3.3피트)에서 30분 동안 방수 |
| 광원 | 발광 다이오드(LED) |
| 검출기 | 실리콘 광다이오드 |
| 디스플레이 | 백라이트 기능 LCD |
| 무게 | 0.25kg(0.55lb) |
| 전원 조건 | AAA 배터리 4개, 약 5000회 테스트 가능(백라이트 사용 시 테스트 횟수 감소) 충전식 배터리는 권장하지 않습니다. |
| 작동 환경 | 0~50 °C(32~122 °F), 상대 습도 0~90 %, 비응축 |
| 보관 온도 | -20~55°C(-4~131°F), 상대 습도 0~80%, 비응축 |
| 과장 | 고정 과장 ± 2 nm, 모델별로 다름 |
| 필터 대역폭 | 15 nm |
| 흡수 범위 | 0~2.5 Abs |
| 샘플 셀 | 25mm(10mL) 및 1cm(10mL) |
| 데이터 저장 | 마지막 50개 측정값 |

| 사양 | 세부 사항 |
|-------------------------|---|
| Bluetooth® ¹ | Bluetooth®는 Hach Communication Dongle 옵션을 설치하면 켜집니다. |
| 인증 | CE |
| 보증 | 1년(EU: 2년) |

섹션 2 일반 정보

제조업체는 본 설명서에 존재하는 오류나 누락에 의해 발생하는 직접, 간접, 특수, 우발적 또는 결과적 손해에 대해 어떠한 경우에도 책임을 지지 않습니다. 제조업체는 본 설명서와 여기에 설명된 제품을 언제나라도 통지나 추가적 책임 없이 변경할 수 있습니다. 개정본은 제조업체 웹사이트에서 확인할 수 있습니다.

2.1 안전 정보

제조사는 본 제품의 잘못된 적용 또는 잘못된 사용으로 인한 직접, 우발적 또는 간접적 손해에 국한하지 않는 모든 손해에 대한 어떠한 책임도 지지 않으며, 관계 법령이 최대한 허용하는 손해에 관한 면책이 있습니다. 사용자는 사용상 중대한 위험을 인지하고 장비 오작동이 발생할 경우에 대비하여 적절한 보호 장치를 설치하여야 합니다.

장치 포장을 풀거나 설치하거나 작동하기 전에 본 설명서를 모두 읽으십시오. 모든 위험 및 주의사항 설명에 유의하시기 바랍니다. 이를 지키지 않으면 사용자가 중상을 입거나 장치가 손상될 수 있습니다.

본 장치의 보호 기능이 손상되지 않도록 본 설명서에서 설명하는 방법이 아닌 다른 방법으로 본 장치를 사용하거나 설치하지 마십시오.

2.1.1 위험 정보 표시

▲ 위험

지키지 않을 경우 사망하거나 또는 심각한 부상을 초래하는 잠재적 위험이나 긴급한 위험 상황을 뜻합니다.

¹ Bluetooth® 단어 마크와 로고는 Bluetooth SIG, Inc.에서 소유한 등록 상표이며 HACH에서 라이선스에 따라 해당 마크를 사용합니다.

▲ 경고

피하지 않을 경우에 사망이나 심각한 부상을 유발할 수 있는 잠재적 위험이나 긴급한 위험 상황을 나타냅니다.

▲ 주의



경미하거나 심하지 않은 부상을 초래할 수 있는 잠재적인 위험 상황을 뜻합니다.

주의사항

지키지 않으면 기기에 손상을 일으킬 수 있는 상황을 나타냅니다. 특별히 강조할 필요가 있는 정보.

2.1.2 주의 경고

본 기기에 부착된 모든 라벨 및 태그를 참조하시기 바랍니다. 지침을 따르지 않을 경우 부상 또는 기기 손상이 발생할 수 있습니다. 기기에 있는 기호는 주의사항에 대한 설명과 함께 설명서에서 참조합니다.

| | |
|--|--|
|  | 기기에 이 심볼이 표시되어 있으면 지침서에서 작동 및 안전 주의사항을 참조해야 합니다. |
|  | 이 심볼이 표시된 전기 장비는 유럽 내 공공 폐기 시스템에 따라 폐기할 수 없습니다. |

2.1.3 인증

캐나다 무선 간섭 유발 장치 규정, IECS-003, 등급 B:

보조 테스트 기록은 제조업체가 제공합니다.

본 등급 B 디지털 장치는 캐나다 간섭 유발 장치 규제의 모든 요구조건을 만족합니다.

Cet appareil numérique de classe B répond à toutes les exigences de la réglementation canadienne sur les équipements provoquant des interférences.

FCC Part 15, Class "B" 제한

보조 테스트 기록은 제조업체가 제공합니다. 본 장치는 FCC 규칙, Part 15를 준수합니다. 본 장치는 다음 조건에 따라 작동해야 합니다.

1. 유해한 간섭을 일으키지 않아야 합니다.
2. 오작동을 유발할 수 있는 간섭을 포함하여 수신되는 모든 간섭에도 정상적으로 작동해야 합니다.

본 장치의 준수 책임이 있는 측이 명시적으로 허용하지 않은 변경 또는 수정을 가하는 경우 해당 사용자의 장치 작동 권한이 무효화될 수 있습니다. 본 장치는 FCC 규칙, Part 15에 의거하여 등급 B 디지털 장치 제한 규정을 준수합니다. 이러한 제한은 상업 지역에서 장치를 작동할 때 유해한 간섭으로부터 적절하게 보호하기 위하여 제정되었습니다. 본 장치는 무선 주파수 에너지를 생성 및 사용하며 방출할 수 있고 사용 설명서에 따라 설치하고 사용하지 않을 경우 무선 통신에 해로운 간섭을 일으킬 수 있습니다. 주거 지역에서 본 장치를 사용하면 해로운 간섭을 일으킬 수 있으며, 이 경우 사용자는 자비를 들여 간섭 문제를 해결해야 합니다. 다음과 같은 방법으로 간섭 문제를 줄일 수 있습니다.

1. 장치를 간섭을 받는 장치로부터 멀리 분리하여 놓으십시오.
2. 간섭을 받는 장치의 안테나 위치를 바꿔보십시오.
3. 위의 방법들을 함께 적용해보십시오.

2.2 제품 개요

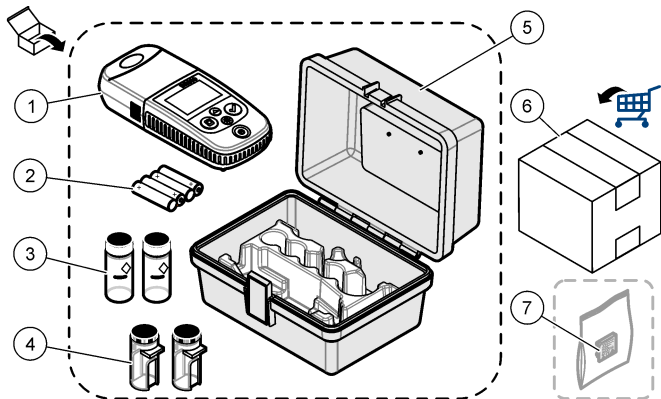
이 기기는 수질 테스트에 사용하는 휴대용 필터 광도계입니다.

참고: 이 기기는 미국 의료 분야의 염소 및 클로라민 측정에 대해 평가받지 않았습
니다.

2.3 제품 구성품

모든 구성품을 수령했는지 확인하십시오. **그림 1**을 참조하십시오. 품목이 누락되었거나 손상된 경우에는 제조업체 또는 판매 담당자에게 즉시 연락하시기 바랍니다. **그림 1**은 LPV445.99.00110과 함께 제공된 부품을 보여주는 예입니다. 기기에 따라 구성품이 다릅니다.

그림 1 제품 구성품



| | |
|-------------------------|--|
| 1 DR 300 | 5 보관 케이스 |
| 2 AAA 알카라인 배터리 | 6 시약 |
| 3 샘플 셀, 25mm(10mL), 유리 | 7 Hach Communication Dongle(옵션, 별도 제공) |
| 4 샘플 셀, 1cm(10mL), 플라스틱 | |

섹션 3 배터리 설치

▲ 경고



폭발 위험 건전지를 잘못 설치하면 폭발성 가스가 유출될 수 있습니다. 동종의 인증된 화학 건전지인지 확인하고 올바른 방향으로 끼워져 있는지 확인하십시오. 새 건전지와 사용한 건전지를 같이 사용하지 마십시오.


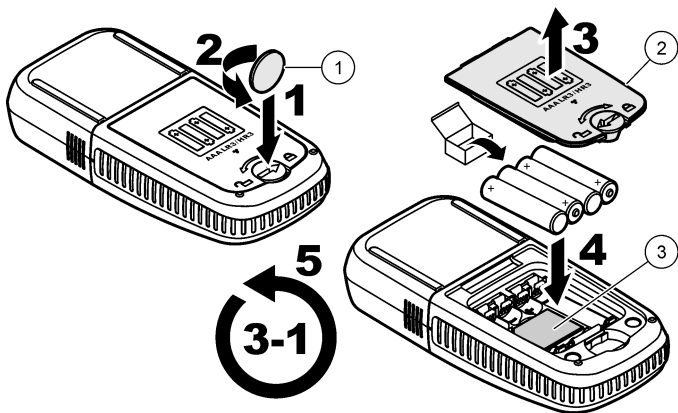
그림 2를 참조하여 배터리를 설치합니다. 그런 다음 를 눌러 기기를 켜짐으로 설정합니다.

그림 2 배터리 설치



| | |
|----------|-----------------------------|
| 1 코인 | 3 동글용 플라스틱 인서트 ² |
| 2 건전지 덮개 | |

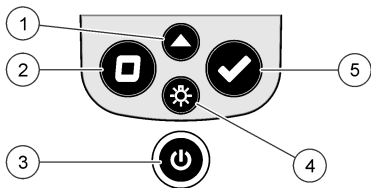
섹션 4 사용자 인터페이스 및 탐색

4.1 키패드 설명

그림 3에 키패드와 키 기능이 설명되어 있습니다.

² 플라스틱 인서트만 분리하여 Hach Communication Dongle을 설치합니다. 동글과 함께 제공된 설치 지침을 참조하십시오.

그림 3 키패드

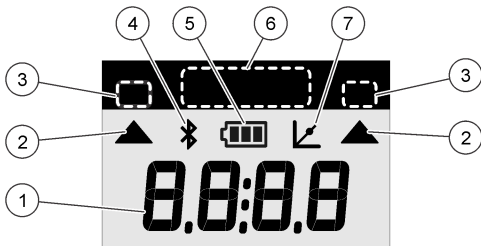


| | |
|--|---|
| <p>1 범위 키: 측정 범위를 선택합니다 (예: LR 또는 HR). 3초 동안 눌러 메뉴 모드를 시작하거나 종료합니다. 메뉴 모드에서 위로 스크롤하거나 선택한 자릿수의 값을 늘립니다.</p> | <p>4 백라이트 키: 백라이트를 켜짐 및 꺼짐으로 설정합니다. 메뉴 모드에서 아래로 스크롤하거나 선택한 자릿수의 값을 줄입니다.</p> |
| <p>2 영점 키: 측정 전 영점 값을 설정합니다. 메뉴 모드에서 메뉴 수준을 하나 뒤로 이동하거나 커서를 이전 자릿수로 이동합니다.</p> | <p>5 판독 키: 샘플 측정을 시작합니다. 메뉴 모드에서 표시된 메뉴 옵션을 선택하거나 커서를 다음 자릿수로 이동합니다.</p> |
| <p>3 전원 키: 전원을 켜짐 및 꺼짐으로 설정합니다. 5초 동안 누르면 기기가 재설정됩니다. 교정은 삭제되지 않습니다.</p> | |

4.2 디스플레이 설명

그림 4는 디스플레이에 표시된 값과 아이콘을 나타냅니다.

그림 4 디스플레이



| | |
|--|---|
| 1 숫자 표시: 측정된 값 또는 메뉴 옵션 | 5 배터리 아이콘: 배터리 잔량이 표시됩니다. 배터리 잔량이 부족하면 깜박입니다. |
| 2 범위 아이콘: 선택한 측정 범위 표시 | 6 매개변수 및 측정 범위 |
| 3 측정 범위 또는 매개변수 | 7 교정 조정 아이콘: 출고 시 설정된 기본 교정값이 조정되었거나 사용자가 입력한 교정 곡선이 입력되었습니다. |
| 4 Bluetooth® 아이콘: Bluetooth® 커집 ³ . | |

섹션 5 시각 설정

시각을 설정합니다(24시간 형식).

- ▲를 3초 동안 눌러 메뉴 모드로 전환합니다.
시각(또는 00:00)이 표시됩니다.
- ✓를 눌러 시각을 설정합니다.
- ▲ 또는 ✱를 눌러 깜박이는 횡수를 변경합니다. 다음 자릿수로 이동하려면 ✓를 누릅니다. 이전 자릿수로 이동하려면 □를 누릅니다

³ Hach Communication Dongle을 설치하면 나타납니다.

섹션 6 테스트 수행

▲ 위험



화학적 또는 생물학적 위험 존재. 본 장비를 공중 위생, 공중 안전, 식음료 제조 또는 가공에 관련한 시행령 및 감시 규정 목적으로 처리공정이나 약품 주입 시스템을 감시하기 위하여 사용하는 경우, 이 장비에 적용되는 모든 규정을 이해하고 준수하며, 장비가 오작동하는 경우 해당 규정에 따라 충분하고 합당한 메커니즘을 보유하는 것은 사용자의 책임입니다.

▲ 위험



화학물질에 노출될 위험이 있습니다. 실험실의 안전절차를 준수하고, 취급하는 화학 물질에 맞는 개인보호장비를 안전하게 착용하십시오. 최신 물질안전보건자료(MSDS/SDS)에서 안전 규정을 참조하십시오.

▲ 주의



화학물질에 노출될 위험이 있습니다. 화학물질 및 폐기물은 국가 및 지역 규정에 따라 폐기하십시오.

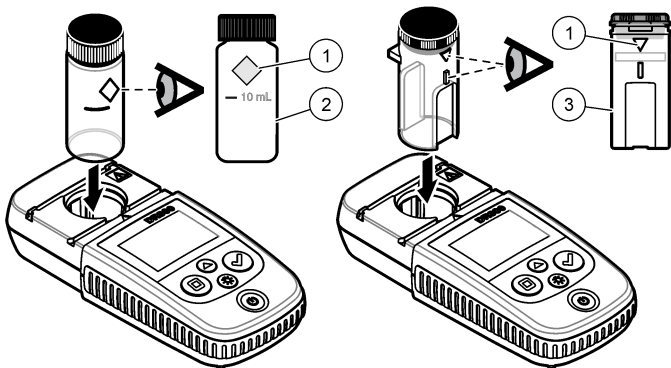
테스트를 수행하는 일반적인 단계는 다음과 같습니다.

특정 매개변수(예: 염소)의 테스트를 수행하려면 제조업체의 웹사이트에서 테스트 절차를 다운로드하십시오. [테스트 절차 다운로드](#) 169 페이지를 참조하십시오.

1. ▲를 해당 측정 범위를 선택합니다(예: LR 또는 HR).
2. 블랭크를 준비합니다. 테스트 절차를 참조하십시오.
3. 보풀이 없는 천으로 샘플 셀을 닦습니다.
4. 블랭크 샘플 셀을 셀 홀더에 삽입합니다. 보다 재현성이 높고 정확한 결과를 얻기 위해서는 올바르게 일관된 방향으로 블랭크 샘플 셀을 설치해야 합니다. [그림 5](#)를 참조하십시오.
5. 셀 홀더 위에 기기 캡을 설치합니다. [그림 6](#)를 참조하십시오.
6. 기기를 영점으로 설정하려면 를 누릅니다.

7. 블랭크 샘플 셀을 분리합니다.
8. 샘플을 준비합니다. 테스트 절차를 참조하십시오.
9. 보풀이 없는 천으로 샘플 셀을 닦습니다.
10. 샘플 셀을 셀 홀더에 삽입합니다. 보다 재현성이 높고 정확한 결과를 얻기 위해서는 올바르게 일관된 방향으로 샘플 셀을 설치해야 합니다. **그림 5**를 참조하십시오.
11. 셀 홀더 위에 기기 캡을 설치합니다. **그림 6**를 참조하십시오.
12. ✓를 누릅니다. 디스플레이에 농도 단위 또는 흡광도 결과가 표시됩니다.
참고: 결과가 기기 범위보다 적거나 많을 경우 결과가 깜박입니다.
13. 셀 홀더에서 샘플 셀을 제거합니다.
14. 샘플 셀을 즉시 비우고 행굽니다. 샘플 셀과 캡을 탈이온수(또는 증류수)로 세 번 행굽니다.
참고: 측정할 샘플의 농도가 수돗물보다 높은 경우 수돗물을 대신 사용하여 샘플 셀을 행굽니다.

그림 5 샘플 셀 방향



1 방향 마크⁴

2 샘플 셀,
25mm(10mL), 유리⁵

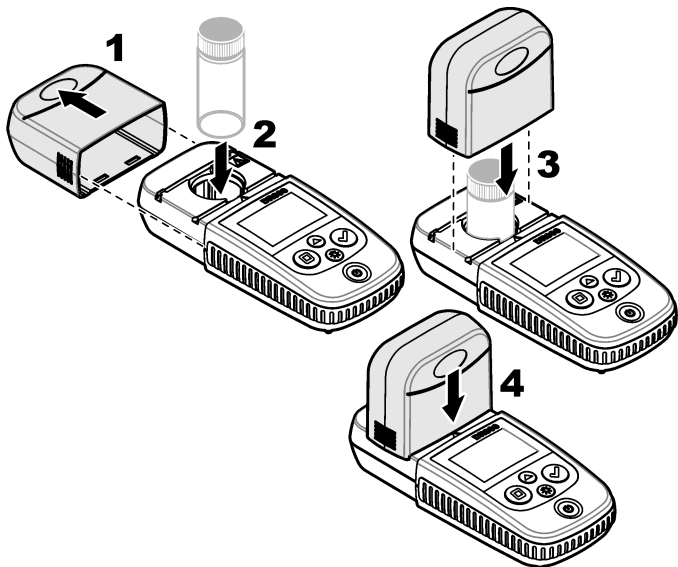
3 샘플 셀, 1cm(10mL),
플라스틱⁶

4 일부 변형 기기에는 방향 마크가 없는 샘플 셀이 있습니다.

5 저농도 염소 테스트에는 유리 샘플 셀을 사용합니다.

6 고농도 염소 테스트에는 플라스틱 샘플 셀을 사용합니다.

그림 6 셀 홀더에 기기 캡 설치



6.1 테스트 절차 다운로드

1. 이동 <http://www.hach.com>.
2. 검색 상자에 "DR300"을 입력합니다.
3. "세부검색:" 상자의 왼쪽에 있는 "다운로드" 옵션을 선택합니다.
4. 아래로 "Methods/Procedures"(방법/절차)까지 스크롤합니다.
5. 해당 테스트 절차의 링크를 클릭하여 테스트 절차를 다운로드합니다.

섹션 7 측정값 표시

참고: 장비에서는 최대 50개 측정값을 저장합니다. 50회 측정을 완료하면 새 측정값이 가장 오래된 측정값을 대체합니다.

1. ▲ 키를 3초 동안 누릅니다.
2. "rCL"(회수)이 나타날 때까지 ▲를 누른 다음 ✓를 누릅니다.
"- 01 -"이 표시됩니다. 측정 01이 마지막으로 수행한 측정입니다.
3. ✓를 눌러 앞으로 스크롤합니다.
측정 번호 다음에 측정값과 시각이 차례로 표시됩니다.
4. 측정 번호로 이동하려면 측정 번호가 나타날 때까지 ✓를 누른 다음 ▲ 또는 ✱를 누릅니다.
참고: 측정값은 삭제할 수 없습니다.
5. 측정 모드로 돌아가려면 ▲를 3초 동안 누릅니다.

섹션 8 교정

이 기기는 출고 시, 교정되었습니다. 사용자 교정이 필요하지 않습니다.

8.1 표준 교정 조정

교정을 조정하여 규정 요구 사항을 충족해야 하는 경우 SCA(표준 교정 조정) 옵션을 사용합니다. 표준 용액의 예상값이 기기에 표시되도록 SCA(표준 교정 조정) 옵션으로 출고 시 교정을 약간 조정합니다. 그런 다음 조정된 교정을 모든 테스트 결과에 사용합니다. 시약 또는 기기를 약간 변형한 경우 이 조정으로 테스트 정확도를 높일 수 있습니다.

참고: 범위 또는 방법을 출고 시 교정한 기기의 경우, 사용자가 입력한 교정을 기구에 입력하면 SCA(표준 교정 조정) 기능을 사용할 수 없습니다. SCA를 켜짐으로 다시 설정하려면 기기를 출고 시 기본 교정으로 설정하십시오. 출고 시 기본 교정으로 설정 174 페이지를 참조하십시오.

8.1.1 표준 교정 조정 수행

1. 교정할 범위의 테스트 절차를 완료합니다. 샘플의 경우 테스트 절차 설명서에 지정된 표준 용액 농도를 사용합니다.
참고: 테스트 절차 설명서에 표준 용액 농도가 지정되지 않은 경우 알고 있는 다른 표준을 사용할 수 있습니다.
2. 테스트 절차를 완료했다면 ▲를 3초 동안 누릅니다.
3. "SCA"가 나타날 때까지 ▲를 누른 다음 ✓를 누릅니다.
디스플레이에 표준 교정 조정값이 표시됩니다.

4. 알고 있는 다른 표준을 사용한 경우 표준의 값을 다음과 같이 입력합니다.
 - a. "Edit"(편집)가 나타날 때까지 ▲를 누른 다음 ✓를 누릅니다.
 - b. 표준의 값을 입력합니다.

▲ 또는 ✕를 눌러 깜박이는 횟수를 변경합니다. 다음 자릿수로 이동하려면 ✓를 누릅니다. 이전 자릿수로 이동하려면 □를 누릅니다.
5. ✓를 눌러 표준 교정 조정값을 출고 시 교정 곡선에 추가합니다.

8.1.2 표준 교정 조정을 꺼짐으로 설정

출고 시 기본 교정을 다시 사용하려면 SCA(표준 교정 조정)를 꺼짐으로 설정합니다.

1. ▲를 3초 동안 눌러 메뉴 모드로 전환합니다.
2. "SCA"가 나타날 때까지 ▲를 누른 다음 ✓를 누릅니다.
3. "OFF"(꺼짐)가 나타날 때까지 ▲를 누른 다음 ✓를 누릅니다.

참고: SCA 기능을 꺼짐으로 다시 설정하려면 표준 교정 조정을 수행합니다.

8.2 사용자가 입력한 보정 곡선

본 기기는 사용자가 작성한 보정 곡선을 지원합니다. 0~2.5 흡광도의 보정 곡선이 지원됩니다. 보정 곡선에는 관심 범위보다 작고 큰 표준 값이 포함되어 있어야 합니다.

기기 범위는 보정 범위와 동일합니다. 예를 들어, 사용한 표준이 1.00, 2.00, 4.00인 경우 기기 범위는 1.00~4.00입니다.

사용자 보정 곡선을 입력하는 방법은 두 가지입니다.

- **표준으로 보정 곡선 입력**—키패드를 사용하여 표준 용액 값을 입력하고 흡광도 값을 측정합니다.
- **키패드로 보정 곡선 입력**—키패드를 사용하여 표준 용액 값과 흡광도 값을 입력합니다.

참고: 사용자가 입력한 보정 곡선을 완료하기 전에 장비를 끄거나 장비 전원을 제거할 경우 보정 곡선이 저장되지 않습니다. 60분 동안 아무 동작도 하지 않으면 기기가 자동으로 사용자 입력 보정을 해제합니다. 사용자가 보정(cal) 모드 또는 편집 모드를 종료하면 사용자 입력 보정이 완료됩니다.

8.2.1 표준으로 보정 곡선 입력

▲ 경고



화학물질에 노출될 위험이 있습니다. 실험실의 안전절차를 준수하고, 취급하는 화학 물질에 맞는 개인보호장비를 안전하게 착용하십시오. 최신 물질안전보건자료(MSDS/SDS)에서 안전 규정을 참조하십시오.



▲ 주의



화학물질에 노출될 위험이 있습니다. 화학물질 및 폐기물은 국가 및 지역 규정에 따라 폐기하십시오.

참고: 샘플이 탈이온수보다 훨씬 탁하거나 색이 짙은 경우가 아니면 블랭크에 탈이온수를 대신 사용해도 됩니다.

1. ▲를 눌러 교정할 범위로 기기를 조정합니다(예: LR 또는 HR).
2. 블랭크를 준비합니다. 테스트 절차를 참조하십시오.
3. 보풀이 없는 천으로 샘플 셀을 닦습니다.
4. 기기를 영점으로 설정합니다.
 - a. 블랭크 샘플 셀을 셀 홀더에 삽입합니다.
 - b. 셀 홀더에 기기 캡을 설치합니다.
 - c. 누름 . 디스플레이에 "----" 표시가 나타난 다음 "0.00" 표시가 나타납니다.
5. ▲를 3초 동안 눌러 메뉴 모드로 전환합니다.
6. "USER"가 나타날 때까지 ▲를 누른 다음 ✓를 누릅니다.
7. "CAL"이 나타날 때까지 ▲를 누른 다음 ✓를 누릅니다.
8. 디스플레이에 "S0"이 표시되면 ✓를 누릅니다.
9. 블랭크 값으로 00.00(또는 000.0)을 입력합니다.

▲ 또는 ✖를 눌러 감박이는 횟수를 변경합니다. 다음 자릿수로 이동하려면 ✓를 누릅니다. 이전 자릿수로 이동하려면 를 누릅니다
10. 디스플레이에 "A0"이 표시되면 ✓를 눌러 블랭크의 흡광도를 측정합니다.

디스플레이에 "S0"의 흡광도 값이 표시됩니다.

11. 셀 홀더에서 샘플 셀을 제거합니다.
12. 샘플을 준비합니다. 테스트 절차를 참조하십시오. 샘플의 경우 테스트 절차 설명서에 지정된 표준 용액 농도를 사용합니다.
13. 보풀이 없는 천으로 샘플 셀을 닦습니다.
14. **✳**를 눌러 "S1"(또는 "Add")이 표시되면 **✓**를 누릅니다.
15. 첫 번째 교정 표준의 농도 값을 입력하고 **✓**를 누릅니다.
16. 디스플레이에 "A1"이 나타나면 다음 단계를 수행하여 흡광도를 측정합니다.
 - a. 반응한 표준 샘플 셀을 셀 홀더에 삽입합니다.
 - b. 셀 홀더에 기기 캡을 설치합니다.
 - c. 누름 **✓**. 디스플레이에 "S1"의 흡광도 값이 표시됩니다.
17. 두 개의 보정 지점으로 보정이 완료됩니다. 보정에 추가 표준이 필요할 경우:

11-16 단계를 다시 수행하여 추가 교정 표준을 측정합니다.
18. 셀 홀더에서 샘플 셀을 제거합니다.
19. 샘플 셀을 즉시 비우고 헹굽니다. 샘플 셀과 캡을 탈이온수(또는 증류수)로 세 번 헹굽니다.

참고: 수돗물의 매개변수 농도가 측정된 샘플보다 낮은 경우 수돗물을 대신 사용하여 샘플 셀을 헹궈도 됩니다.
20. 측정 모드로 돌아가려면 **▲**를 3초 동안 누릅니다.

8.2.2 키패드로 보정 곡선 입력

사용자가 작성한 보정 곡선을 입력하려면 2개 이상의 데이터 쌍이 필요합니다. 각 데이터 쌍에 특정 농도의 농도 값과 흡광도 값이 필요합니다. 최대 10개의 데이터 쌍을 입력할 수 있습니다.

1. **▲**를 눌러 교정할 범위로 기기를 조정합니다(예: LR 또는 HR).
2. **▲**를 3초 동안 눌러 메뉴 모드로 전환합니다.
3. "USER"가 나타날 때까지 **▲**를 누른 다음 **✓**를 누릅니다.
4. "Edit"(편집)가 나타날 때까지 **▲**를 누른 다음 **✓**를 누릅니다.
5. 디스플레이에 "S0"이 표시되면 **✓**를 누릅니다.
6. 첫 번째 데이터 쌍을 입력합니다.

첫 번째 데이터 쌍은 S0(농도 값)과 A0(흡광도 값)입니다.

- ▲ 또는 ✱를 눌러 깜박이는 횟수를 변경합니다.
 - 다음 자릿수로 이동하려면 ✓를 누릅니다.
 - 이전 자릿수로 이동하려면 □를 누릅니다
7. 5단계와 6단계를 다시 수행하여 두 번째 데이터 쌍(S1과 A1)을 입력합니다.
 8. 두 개의 데이터 쌍으로 보정이 완료됩니다. 보정에 추가 데이터 쌍이 필요할 경우:
 - a. "Add"(추가)가 나타나면 ✓를 누릅니다.
 - b. 5단계와 6단계를 다시 수행하여 추가 데이터 쌍을 입력합니다.
 9. 측정 모드로 돌아가려면 ▲를 3초 동안 누릅니다.

8.2.3 출고 시 기본 교정으로 설정

사용자가 입력한 교정 곡선을 기기에서 제거하고 출고 시 교정을 사용하려면 다음 단계를 수행합니다.

1. ▲를 3초 동안 눌러 메뉴 모드로 전환합니다.
2. "USER"가 나타날 때까지 ▲를 누른 다음 ✓를 누릅니다.
3. "dFL"(기본값)이 나타날 때까지 ▲를 누른 다음 ✓를 누릅니다.

섹션 9 유지관리

▲ 주의



여러 가지 위험이 존재합니다. 해당 전문가만 본 문서에 의거하여 작업을 수행해야 합니다.

주의사항

유지관리를 위해 기기를 해체하지 마십시오. 내부 구성 부품을 세척 또는 수리해야 하는 경우에는 제조업체에 연락하십시오.

9.1 기기 세척

필요한 경우 기기 표면을 젖은 천과 순한 세척액으로 세척하고 물기를 닦아 말리십시오.

9.2 샘플 셀 청소

⚠ 주의



화학물질에 노출될 위험이 있습니다. 실험실의 안전절차를 준수하고, 취급하는 화학 물질에 맞는 개인보호장비를 안전하게 착용하십시오. 최신 물질안전보건자료(MSDS/SDS)에서 안전 규정을 참조하십시오.

⚠ 주의



화학물질에 노출될 위험이 있습니다. 화학물질 및 폐기물은 국가 및 지역 규정에 따라 폐기하십시오.

대부분의 실험실 세제는 권장 농도로 사용됩니다. 일반적 청소가 필요할 때는 Liquinox 등의 중성 세제를 사용하는 것이 더욱 안전합니다. 청소 횟수를 줄이려면 온도를 높이거나 초음파 수조를 사용하십시오. 청소를 완료한 후에는 탈이온수로 몇 차례 행군 다음 샘플 셀을 공기 중에 말리십시오.

산성 물질로 샘플 셀을 청소하고 탈이온수로 말끔하게 행군도 됩니다.

참고: 저레벨 금속 테스트에 사용된 샘플 셀을 청소할 때는 항상 산성 물질을 사용하지 마십시오.

개별 절차에 특수 청소 방법이 필요합니다. 샘플 셀을 청소할 때 브러시를 사용하는 경우에는 샘플 셀 안쪽 표면이 긁히지 않도록 각별히 주의해야 합니다.

9.3 배터리 교체


배터리 전원이 약할 경우 배터리를 교체합니다. **배터리 설치** 162 페이지를 참조하십시오.

섹션 10 문제 해결

| 오류 | 설명 | 해결책 |
|--------------------|-------------------------------------|---|
| E-00 | 영점 없음 | 사용자 교정 모드에서 기기 영점을 설정하기 전에 표준 용액을 측정했습니다. 기기를 영점으로 설정하려면 블랭크 용액을 측정하십시오. |
| E-01 | 주변광 오류 ⁷ | 셀 홀더에 주변광이 있습니다. 셀 홀더에 기기 캡을 적절하게 설치했는지 확인하십시오. 테스트 수행 166 페이지를 참조하십시오. |
| E-02 | LED 오류 ⁷ | LED(광원)가 규정과 다릅니다. 배터리를 교체하십시오. <input checked="" type="checkbox"/> 또는 <input type="checkbox"/> 를 눌렀을 때 셀 홀더의 LED가 켜지는지 확인하십시오. |
| E-03 | 표준 조정 오류 | <ul style="list-style-type: none"> 표준 용액의 측정값이 조정 한도를 초과합니다. 새로운 표준을 준비합니다. 표준 용액이 표준 교정 조정에 사용할 수 있는 농도 범위 내에 있지 않습니다. 절차에 나와 있는 권장 농도 또는 이와 가까운 농도 값의 표준을 준비합니다. 표준 용액의 농도를 정확하게 입력하십시오. |
| 판독값 깜박임 다음 E-04 | 판독값이 기기 범위보다 높거나 낮습니다. ⁸ | <p>판독값이 기기 범위보다 작을 경우 셀 홀더에 기기 캡을 적절하게 설치했는지 확인하십시오. 블랭크를 측정하십시오. 블랭크 판독값이 영점이 아닐 경우 기기를 다시 영점으로 설정합니다.</p> <p>판독값이 기기 범위를 초과할 경우 셀 홀더에 약간 막힌 부분이 있는지 확인하십시오. 샘플을 회석하십시오. 다시 테스트하십시오.</p> |
| E-06 | 흡광도 오류 | 흡광도 값이 잘못되었거나 사용자가 입력한 교정 곡선의 점이 2개 미만입니다. 흡광도 값을 다시 입력하거나 측정하십시오. |

⁷ 측정 시 E-01 또는 E-02 오류가 발생하면 디스플레이에 "_가 표시됩니다._". 소수점 자리는 화학적 성질에 따라 다릅니다. 기기가 영점으로 설정된 상태에서 E-01 또는 E-02 오류가 발생할 경우 기기를 다시 영점으로 설정하십시오.

⁸ 깜박이는 값이 테스트 범위 상한을 10% 초과합니다.

| 오류 | 설명 | 해결책 |
|-------------------------------------|---------------------|--|
| E-07 | 표준 값 오류 | 표준 용액 농도가 사용자가 이미 입력한 교정 곡선에 입력된 다른 표준 용액 용액의 농도와 동일합니다. 정확한 표준 농도를 입력하십시오. |
| E-09 | 플래시 오류 | 기기에 데이터를 저장할 수 없습니다.  를 5초 동안 눌러 기기를 재설정하십시오. |
| E-10 | 환경 온도가 너무 높거나 너무 낮음 | 주변 온도가 범위를 벗어났습니다. 지정된 작동 조건에서만 기기를 사용하십시오. 사양 158 페이지를 참조하십시오. |
| E-12 | 배터리 전력 부족 | 배터리 전력이 너무 부족합니다. 배터리를 교체하십시오. 배터리 설치 162 페이지를 참조하십시오. |
| E-13 | 매개변수 로드 실패 | 기기의 메모리에 결함이 있습니다. 기술 지원부에 문의하십시오. |
| E-14 다음 "-._" 또는 "0"(영점이 없었던 경우) | 영점 측정이 잘못됨 | 영점 측정이 너무 부족합니다. 물을 채운 샘플 셀을 사용하여 다시 시도하십시오. 오류가 계속되는 경우 기술 지원부에 문의하십시오. |
| E-15 다음 "-._" | 흡광도 너무 높음 | 셀 홀더에 빛이 막히는지 확인하십시오. 셀 홀더를 닦으십시오. 샘플을 희석하십시오. 다시 테스트하십시오. 참고: 이 기기에서는 3.5Abs보다 높은 흡광도 값을 판독할 수 없습니다. |
| E-20 | 신호 측정 범위 이탈 | 광 감지기에 빛이 너무 많습니다. 셀 홀더에 기기 캡을 적절하게 설치했는지 확인하십시오. 다시 테스트하십시오. 오류가 계속되는 경우 기술 지원부에 문의하십시오. |
| E-21 | 신호 측정 불안정 | 광 감지기의 신호가 불안정합니다. 주변광이 너무 많거나 불안정합니다. 셀 홀더에 기기 캡을 적절하게 설치했는지 확인하십시오. 다시 테스트하십시오. 오류가 계속되는 경우 기술 지원부에 문의하십시오. |
| E-22 | 하드웨어 오류입니다 | 전자 시스템에 결함이 있습니다. 기술 지원부에 문의하십시오. |

기기 업데이트 직후 다음 오류가 발생할 수 있습니다.

| 오류 | 설명 | 해결책 |
|------|----------------|--|
| E-30 | 애플리케이션 없음 | 애플리케이션 업데이트 중 오류가 발생했습니다. 기기에서 유효한 애플리케이션을 찾을 수 없습니다. 기기를 다시 업데이트하십시오. |
| E31 | 부팅 로더 업데이트 실패 | 부팅 로더 업데이트 전송 중 오류가 발생했습니다. 부팅 로더를 다시 업데이트하십시오. |
| E-32 | 애플리케이션 업데이트 실패 | 애플리케이션 업데이트 전송 중 오류가 발생했습니다. 기기를 다시 업데이트하십시오. |
| E-66 | 업데이트 실패 | 기기에 결함이 있습니다. 기술 지원부에 문의하십시오. |

섹션 11 교체 부품 및 부속품

▲ 경고



신체 부상 위험. 승인되지 않은 부품을 사용하면 부상, 기기 손상 또는 장비 오작동이 발생할 수 있습니다. 이 장에 설명된 교체 부품은 제조업체의 승인을 받았습니다.

참고: 일부 판매 지역의 경우 제품 및 문서 번호가 다를 수 있습니다. 연락처 정보는 해당 대리점에 문의하거나 본사 웹사이트를 참조하십시오.

교체 부품

| 설명 | 수량 | 품목 번호 |
|-----------------------|--------|-----------------|
| AAA 배터리, 알카라인 | 4개 패키지 | 4674300 |
| 기기 캡 | 1 | LPZ445.99.00006 |
| 건전지 덮개 | 1 | LPZ445.99.00007 |
| 샘플 셀, 25mm(10mL), 유리 | 6개 패키지 | 2427606 |
| 샘플 셀, 1cm(10mL), 플라스틱 | 2개 패키지 | 4864302 |

부속품

| 설명 | 수량 | 품목 번호 |
|---------------------------|----|-----------------|
| Hach Communication Dongle | 1 | LPV446.99.00012 |
| 옆으로 메는 부드러운 소재의 케이스/홀스터 | 1 | 5953100 |

สารบัญ

- | | | | |
|---|---|----|--|
| 1 | รายละเอียดทางเทคนิค ในหน้า 180 | 7 | แสดงการวัด ในหน้า 191 |
| 2 | ข้อมูลทั่วไป ในหน้า 181 | 8 | การสอบเทียบ ในหน้า 191 |
| 3 | การใส่แบตเตอรี่ ในหน้า 184 | 9 | การบำรุงรักษา ในหน้า 195 |
| 4 | อินเทอร์เน็ตผู้ใช้และโครงสร้างเมนู ในหน้า 185 | 10 | การแก้ไขปัญหา ในหน้า 197 |
| 5 | การตั้งระยะเวลาติดสว่างของไฟพื้นหลัง (ในหน้า 187 | 11 | ชิ้นส่วนอะไหล่และอุปกรณ์เสริม ในหน้า 199 |
| 6 | ทำการทดสอบ ในหน้า 188 | | |

หัวข้อที่ 1 รายละเอียดทางเทคนิค

รายละเอียดทางเทคนิคอาจเปลี่ยนแปลงได้โดยไม่ต้องแจ้งให้ทราบล่วงหน้า

| รายละเอียดทางเทคนิค | รายละเอียด |
|-----------------------|--|
| ขนาด (ก. x ส. x ล.) | 6.9 x 15.7 x 3.4 ซม. (2.7 x 6.2 x 1.3 นิ้ว) |
| ตัวเครื่อง | IP67, กันน้ำที่ 1 ม. (3.3 ฟุต) นาน 30 นาทีเมื่อปิดและล็อกฝาครอบแบตเตอรี่ |
| แหล่งกำเนิดแสง | ไดโอดเปล่งแสง (LED) |
| ตัวตรวจจับ | ซิลิกอนโฟโตไดโอด |
| จอแสดงผล | LCD พร้อมไฟส่องสว่าง |
| น้ำหนัก | 0.25 กก. (0.55 ปอนด์) |
| ข้อกำหนดด้านพลังงาน | แบตเตอรี่ขนาด AAA 4 ก้อน ทดสอบได้ประมาณ 5,000 การทดสอบ (น้อยกว่านั้นถ้าใช้ไฟส่องสว่าง) ไม่แนะนำให้ใช้แบตเตอรี่ที่ชาร์จไฟใหม่ได้ |
| สภาพแวดล้อมการทำงาน | 0 ถึง 50 °C (32 ถึง 122 °F) ความชื้นสัมพัทธ์ 0 ถึง 90% ไม่มีการกลั่นตัวเป็นหยดน้ำ |
| อุณหภูมิสำหรับจัดเก็บ | -20 ถึง 55 °C (-4 ถึง 131 °F) ความชื้นสัมพัทธ์ 0 ถึง 80% ไม่มีการกลั่นตัวเป็นหยดน้ำ |
| ความยาวคลื่นในช่วง | ความยาวคลื่นคงที่ ±2 nm แตกต่างกันไปในแต่ละรุ่น |
| แบนด์วิดท์ตัวกรอง | 15 nm |
| ช่วงการดูดซึม | 0 ถึง 2.5 Abs |

| รายละเอียดทางเทคนิค | รายละเอียด |
|-------------------------|--|
| เซลล์ตัวอย่าง | 25 มม. (10 มล.) และ 1 ซม. (10 มล.) |
| การจัดเก็บข้อมูล | การวัด 50 ครั้งล่าสุด |
| Bluetooth® ¹ | Bluetooth® จะเปิดใช้งานเมื่อมี Hach Communication Dongle ติดตั้งอยู่ |
| การรับรอง | CE |
| การรับประกัน | 1 ปี (สหภาพยุโรป: 2 ปี) |

หัวข้อที่ 2 ข้อมูลทั่วไป

ผู้ผลิตไม่มีส่วนรับผิดชอบใด ๆ ต่อความเสียหายโดยตรง โดยอ้อม ความเสียหายพิเศษ ความเสียหายจากอุบัติเหตุหรือความเสียหายอันเป็นผลต่อเนื่องเนื่องจากข้อบกพร่องหรือการละเว้นข้อมูลใด ๆ ของคู่มือชุดนี้ ผู้ผลิตสงวนสิทธิ์ในการแก้ไขคู่มือและเปลี่ยนแปลงผลิตภัณฑ์ที่อ้างถึงได้โดยไม่ต้องแจ้งให้ทราบ ข้อมูลฉบับแก้ไขจะมีจัดไว้ให้ในเว็บไซต์ของผู้ผลิต

2.1 ข้อมูลเพื่อความปลอดภัย

ผู้ผลิตจะไม่รับผิดชอบต่อความเสียหายใดๆ ที่เกิดจากการนำผลิตภัณฑ์ไปใช้หรือการใช้งานที่ผิดวัตถุประสงค์ รวมถึง แต่ไม่จำกัดเพียงความเสียหายทางตรง ความเสียหายที่ไม่ได้ตั้งใจ และความเสียหายที่ต่อเนื่องตามมา และขอปฏิเสธในการรับผิดชอบต่อความเสียหายเหล่านี้ในระดับสูงสุดเท่าที่กฎหมายที่เกี่ยวข้องจะอนุญาต ผู้ใช้เป็นผู้รับผิดชอบแต่เพียงผู้เดียวในการระบุถึงความเสียหายในการนำไปใช้งานที่สำคัญ และการติดตั้งโลกที่เหมาะสมเพื่อป้องกันกระบวนการต่างๆ ที่เป็นไปได้ในกรณีอุปกรณ์ทำงานผิดพลาด

กรุณาอ่านคู่มือฉบับนี้โดยละเอียดก่อนเปิดกล่อง ติดตั้งหรือใช้งานอุปกรณ์นี้ ศึกษาอันตรายและข้อควรระวังต่าง ๆ ที่แจ้งให้ทราบให้ครบถ้วน หากไม่ปฏิบัติตามอาจทำให้เกิดการบาดเจ็บร้ายแรงต่อผู้ใช้หรือเกิดความเสียหายต่ออุปกรณ์

ตรวจสอบว่าชิ้นส่วนป้องกันของอุปกรณ์ไม่มีความเสียหาย ห้ามใช้หรือติดตั้งอุปกรณ์ในลักษณะอื่นใดนอกจากที่ระบุไว้ในคู่มือนี้



¹ เครื่องหมายและโลโก้ Bluetooth® เป็นเครื่องหมายการค้าจดทะเบียนของ Bluetooth SIG, Inc. และ HACH ได้รับอนุญาตให้ใช้เครื่องหมายดังกล่าว

2.1.1 การใช้ข้อมูลแจ้งเตือนเกี่ยวกับอันตราย

| |
|---|
| ⚠️ อันตราย |
| ระบุนอันตรายที่อาจเกิดขึ้น ซึ่งหากไม่หลีกเลี่ยง อาจทำให้เสียชีวิตหรือได้รับบาดเจ็บร้ายแรงได้ |
| ⚠️ คำเตือน |
| ระบุนอันตรายที่อาจเกิดขึ้น ซึ่งหากไม่หลีกเลี่ยง อาจทำให้เสียชีวิตหรือได้รับบาดเจ็บร้ายแรงได้ |
| ⚠️ ข้อควรระวัง |
| ระบุนอันตรายที่อาจเกิดขึ้นซึ่งอาจทำให้เกิดการบาดเจ็บเล็กน้อยถึงปานกลาง |
| หมายเหตุ |
| ข้อควรทราบระบุนกรณีที่หากไม่หลีกเลี่ยง อาจทำให้อุปกรณ์ได้รับความเสียหายได้ ข้อมูลที่ต้องมีการเน้นย้ำเป็นพิเศษ |

2.1.2 ฉลากระบุข้อควรระวัง

อ่านฉลากและป้ายระบุทั้งหมดที่มีมาให้พร้อมกับอุปกรณ์ อาจเกิดการบาดเจ็บหรือความเสียหายต่ออุปกรณ์ หากไม่ปฏิบัติตาม คู่มืออ้างอิงสัญลักษณ์ที่ตัวอุปกรณ์พร้อมข้อความเพื่อเฝ้าระวังเบื้องต้น

| | |
|---|---|
|  | หากปรากฏสัญลักษณ์บนอุปกรณ์ โปรดดูรายละเอียดจากคู่มือการใช้งานและ/หรือข้อมูลเพื่อความปลอดภัย |
|  | อุปกรณ์อิเล็กทรอนิกส์ที่เครื่องหมายถึงนี้ไม่สามารถทิ้งแบบขยะปกติในเขตยุโรปหรือระบบกำจัดขยะสาธารณะได้ ส่งคืนอุปกรณ์เก่าหรือที่หมดอายุการใช้งานให้กับผู้ผลิตเพื่อการกำจัดไม่มีค่าใช้จ่ายใดๆ กับผู้ใช้ |

2.1.3 การรับรอง

หลักเกณฑ์เกี่ยวกับอุปกรณ์ที่ทำให้เกิดสัญญาณรบกวนของแคนาดา **ICES-003, Class A:**

รองรับข้อมูลการทดสอบของผู้ผลิต

อุปกรณ์ดิจิทัล **Class B** นี้ได้มาตรฐานตามเงื่อนไขภายใต้หลักเกณฑ์เกี่ยวกับอุปกรณ์ที่ทำให้เกิดสัญญาณรบกวนของแคนาดา

Cet appareil numérique de classe B répond à toutes les exigences de la réglementation canadienne sur les équipements provoquant des interférences.

FCC Part 15, Class "B" Limits

รองรับข้อมูลการทดสอบของผู้ผลิต อุปกรณ์ได้มาตรฐานตาม Part 15 ของ FCC Rules การใช้งานจะต้องอยู่ภายใต้เงื่อนไขดังต่อไปนี้:

1. อุปกรณ์จะต้องไม่ทำให้เกิดอันตรายจากสัญญาณรบกวน
2. อุปกรณ์จะต้องสามารถทนรับสัญญาณรบกวนที่ได้รับ รวมทั้งสัญญาณรบกวนอื่น ๆ ที่อาจทำให้การทำงานไม่เป็นไปตามที่คาดหวัง

การเปลี่ยนแปลงหรือปรับแต่งอุปกรณ์นี้ซึ่งไม่ได้รับการรับรอง โดยผู้เกี่ยวข้องเพื่อความถูกต้อง อาจทำให้ผู้ใช้เสียสิทธิ์ในการใช้งานอุปกรณ์ อุปกรณ์นี้ผ่านการทดสอบและพบว่าได้มาตรฐานตามข้อกำหนดสำหรับอุปกรณ์ดิจิทัล Class B ภายใต้ Part 15 ของ FCC Rules ข้อกำหนดนี้กำหนดขึ้นเพื่อเป็นการป้องกันสัญญาณรบกวนที่เป็นอันตรายเมื่อมีการใช้งานอุปกรณ์ในเชิงพาณิชย์ อุปกรณ์นี้ทำให้เกิด ไซ้ และสามารถแพร่คลื่นความถี่วิทยุ และหากมีการติดตั้งและใช้งานไม่เป็นไปตามคู่มือการใช้งาน อาจทำให้เกิดสัญญาณรบกวนที่เป็นอันตรายต่อการสื่อสารทางวิทยุ การทำงานของอุปกรณ์ในที่ปกอาจทำให้เกิดสัญญาณรบกวนที่เป็นอันตราย ซึ่งในกรณีนี้ผู้ใช้จะต้องแก้ไขปัญหาสัญญาณรบกวนด้วยตัวเอง สามารถใช้เทคนิคต่อไปนี้เพื่อลดปัญหาจากสัญญาณรบกวน:

1. ย้ายอุปกรณ์ออกจากอุปกรณ์ที่ได้รับสัญญาณรบกวน
2. ปรับตำแหน่งสายอากาศสำหรับอุปกรณ์ที่ได้รับสัญญาณรบกวน
3. ลองดำเนินการตามวิธีการต่าง ๆ ข้างต้น

2.2 ภาพรวมของผลิตภัณฑ์

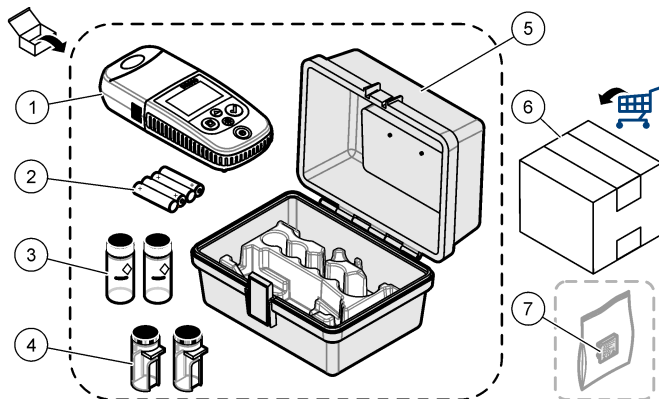
นี่เป็นเครื่องโฟโตมิเตอร์ฟิเดอเร่ท์ที่พกพาได้สำหรับการทดสอบนี้

บันทึก: เครื่องนี้ยังไม่ได้รับการประเมินเพื่อการวัดคลอรีนและคลอโรมินในการใช้งานทางการแพทย์ในสหรัฐอเมริกา

2.3 ส่วนประกอบของผลิตภัณฑ์

ตรวจสอบให้แน่ใจว่าได้รับส่วนประกอบทั้งหมดแล้ว โปรดดูรายละเอียดใน **รูปที่ 1** หากพบว่ามีชิ้นส่วนใดสูญหายหรือชำรุด โปรดติดต่อผู้ผลิตหรือพนักงานขายทันที **รูปที่ 1** นั้นเป็นตัวอย่าง และแสดงชิ้นส่วนที่มาพร้อมกับ LPV445.99.00110 อุปกรณ์อื่นๆ มาพร้อมส่วนประกอบที่ต่างออกไป

รูปที่ 1 ส่วนประกอบของผลิตภัณฑ์




| | |
|---|--|
| 1 DR 300 | 5 กระเป๋าจัดเก็บ |
| 2 แบตเตอรี่อัลคาไลน์ขนาด AAA | 6 สารตัวกระทำ (Reagents) |
| 3 เซลล์ตัวอย่าง, 25 มม. (10 มล.) แก้ว | 7 Hach Communication Dongle (ตัวเลือก จำหน่ายแยกต่างหาก) |
| 4 เซลล์ตัวอย่าง, 1 ซม. (10 มล.) พลาสติก | |

หัวข้อที่ 3 การใส่แบตเตอรี่

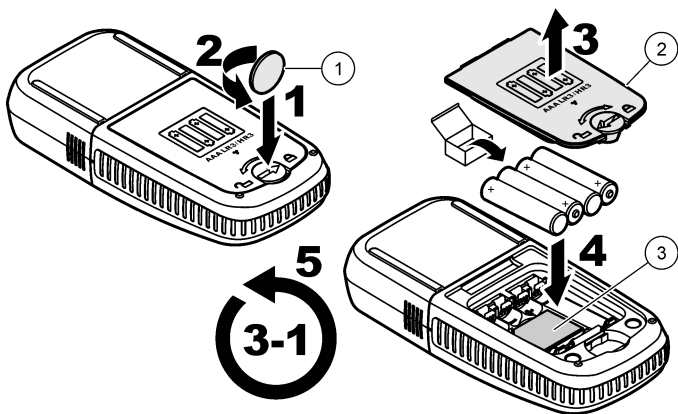
⚠️ คำเตือน



อันตรายจากการระเบิด การใส่แบตเตอรี่ไม่ถูกต้องอาจส่งผลให้เกิดการรั่วซึมของก๊าซที่ง่ายต่อการระเบิด ตรวจสอบให้แน่ใจว่าแบตเตอรี่ที่ใช้ เป็นสารเคมีที่ได้รับการยอมรับประเภทเดียวกัน และใส่แบตเตอรี่ตรงตามขั้ว ห้ามใช้แบตเตอรี่ใหม่ร่วมกับแบตเตอรี่เก่า

อ้างอิง รูปที่ 2 ในการติดตั้งแบตเตอรี่ จากนั้น กด  เพื่อตั้งเครื่องเป็นเปิด

รูปที่ 2 การใส่แบตเตอรี่



| | |
|-------------------|--|
| 1 เหยื่อ | 3 ตัวแทรกพลาสติกเป็นดองเกิด ² |
| 2 ฝาครอบแบตเตอรี่ | |

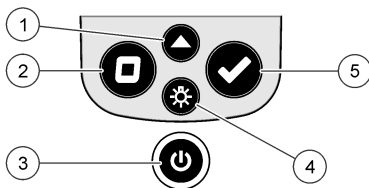
หัวข้อที่ 4 อินเทอร์เฟซผู้ใช้และโครงสร้างเมนู

4.1 คำอธิบายปุ่มกด

รูปที่ 3 แสดงเป็นกวดและให้ฟังก์ชันที่สำคัญ

² ให้นำที่แทรกพลาสติกออกเพื่อติดตั้ง Hach Communication Dongle อ้างอิงคำแนะนำการติดตั้งที่มาพร้อมกับดองเกิด

รูปที่ 3 แป้นกด

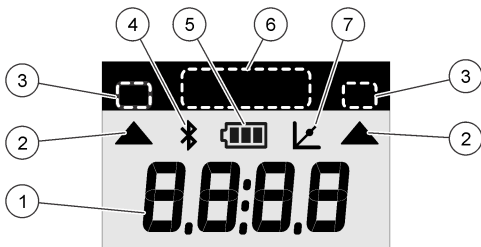


| | |
|--|--|
| <p>1 ปุ่มช่วง: เลือกช่วงการวัด (เช่น LR หรือ HR) กดค้างไว้เป็นเวลา 3 วินาทีเพื่อเข้าหรือออกจากโหมดเมนู ในโหมดเมนู ให้เลื่อนขึ้น หรือเพิ่มค่าของหลักที่เลือก</p> | <p>4 ปุ่มไฟแบล็คไลท์: เปิดและปิดไฟแบล็คไลท์ ในโหมดเมนู ให้เลื่อนลง หรือลดค่าของหลักที่เลือก</p> |
| <p>2 ปุ่มศูนย์: ตั้งค้่าเป็นศูนย์ก่อนการวัด ในโหมดเมนู ให้กลับไป 1 ระดับเมนู หรือเลื่อนเคอร์เซอร์ไปยังหลักก่อนหน้า</p> | <p>5 ปุ่มอ่าน: เริ่มการวัดตัวอย่าง ในโหมดเมนู ให้เลือกตัวเลือกเมนูที่แสดงหรือเลื่อนเคอร์เซอร์ไปยังหลักถัดไป</p> |
| <p>3 ปุ่มเปิดปิด: ตั้งค่าพลังงานเป็นเปิดและปิด กดค้างไว้เป็นเวลา 5 วินาทีเพื่อรีเซ็ตเครื่อง การสอบเทียบไม่ถูกลบ</p> | |

4.2 คำอธิบายจอแสดงผล

รูปที่ 4 แสดงค่าและไอคอนที่แสดงบนจอแสดงผล

รูปที่ 4 จอแสดงผล



| | |
|---|---|
| 1 การแสดงตัวเลข: ค่าที่วัดได้ หรือตัวเลือกเมนู | 5 ไอคอนแบตเตอรี่: ระดับพลังงานแบตเตอรี่ จะกะพริบเมื่อระดับพลังงานของแบตเตอรี่เหลือน้อย |
| 2 ไอคอนช่วง: ซึ่งเพื่อเลือกช่วงการวัด | 6 ช่วงพารามิเตอร์และการวัด |
| 3 ช่วงหรือพารามิเตอร์การวัด | 7 ไอคอนปรับการสอบเทียบ: การสอบเทียบเริ่มต้นจากโรงงานถูกปรับ หรือมีการป้อนค่าสอบเทียบจากผู้ใช้ |
| 4 ไอคอน Bluetooth®: เปิดใช้งาน Bluetooth® อยู่ ³ . | |


หัวข้อที่ 5 การตั้งระยะเวลาติดสว่างของไฟพื้นหลัง (



ตั้งเวลา (รูปแบบ 24 ชั่วโมง)


1. กด ▲ ค้างไว้เป็นเวลา 3 วินาทีเพื่อเข้าสู่โหมดเมนู เวลาจะแสดง (หรือ 00:00)
2. กด ✓ เพื่อตั้งเวลา
3. กด ▲ หรือ ☀ เพื่อเปลี่ยนหมายเลขที่กะพริบ กด ✓ เพื่อไปยังหลักต่อไป กด □ เพื่อไปยังหลักก่อนหน้า

³ จะแสดงเมื่อติดตั้ง Hach Communication Dongle

หัวข้อที่ 6 ทำการทดสอบ



| ⚠ อันตราย | |
|--|--|
|  | <p>อันตรายจากสารเคมีหรืออันตรายทางชีวภาพ หากอุปกรณ์นี้ถูกใช้งานในการตรวจสอบกระบวนการพรีตเมนต์ และ/หรือระบบฟีดส์สารเคมี ซึ่งมีขีดจำกัดตามกฎหมายข้อบังคับและมีข้อกำหนดในการตรวจสอบ ซึ่งเกี่ยวข้องกับด้านสาธารณสุข ความปลอดภัยของสาธารณะ การผลิตหรือกระบวนการต่างๆ ของเครื่องคั่วหรืออาหาร ถือเป็นความรับผิดชอบของผู้ใช้อุปกรณ์นี้ ในการรับทราบและปฏิบัติตามกฎหมายข้อบังคับที่เกี่ยวข้อง รวมถึงการมีกลไกที่เหมาะสมและเพียงพอไว้รองรับ เพื่อให้เป็นไปตามกฎหมายข้อบังคับที่เกี่ยวข้องในกรณีที่อยู่ปรนทำงานผิดพลาด</p> |

| ⚠ อันตราย | |
|--|--|
|   | <p>อาจได้รับอันตรายจากการสัมผัสสารเคมี ปฏิบัติตามขั้นตอนเพื่อความปลอดภัยในห้องปฏิบัติการ และสวมใส่อุปกรณ์ป้องกันทั้งหมด ให้เหมาะสมในการดำเนินงานกับสารเคมีนั้นๆ โปรดดูกฎระเบียบด้านความปลอดภัยได้ที่เอกสารข้อมูลด้านความปลอดภัยฉบับปัจจุบัน (MSDS/SDS)</p> |

| ⚠ ข้อควรระวัง | |
|--|---|
|  | <p>อาจได้รับอันตรายจากการสัมผัสสารเคมี การกำจัดสารเคมีและของเสียตามกฎหมายข้อบังคับของท้องถิ่น ภูมิภาค และประเทศ</p> |

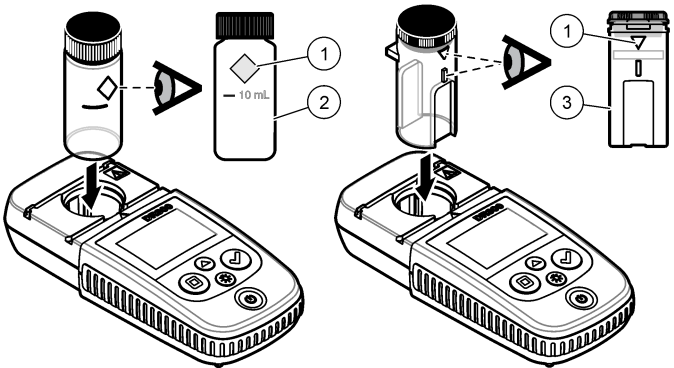
ขั้นตอนทั่วไปในการทดสอบจะตามมา

ในการทดสอบหาพารามิเตอร์เฉพาะ (เช่น คลอรีน) ให้ดาวน์โหลดขั้นตอนการทดสอบจากเว็บไซต์ของผู้ผลิต ดูรายละเอียดใน [ดาวน์โหลดกระบวนการทดสอบ](#) ในหน้า 190

1. กด  เพื่อเลือกช่วงการวัดที่เหมาะสม (เช่น LR หรือ HR)
2. เตรียมค่าว่างเปล่า อ้างอิงกระบวนการทดสอบ
3. ทำความสะอาดเซลล์ตัวอย่างด้วยผ้าที่ปราศจากขุย
4. ใส่เซลล์ตัวอย่างว่างในที่ขีดเซลล์ ตรวจสอบให้แน่ใจว่าได้ใส่เซลล์ตัวอย่างว่างในทิศทางที่ถูกต้องและสอดคล้องเพื่อให้ผลลัพธ์มีความแม่นยำและตรงกัน ดูรายละเอียดใน [รูปที่ 5](#)
5. ปิดฝาเครื่องไว้เหนือที่ขีดเซลล์ ดูรายละเอียดใน [รูปที่ 6](#)
6. กด  เพื่อกำหนดอุปกรณ์ศูนย์
7. นำตัวอย่างว่างออกจากเซลล์

8. เตรียมตัวอย่าง อ่างถึงกระบวนการทดสอบ
9. ทำความสะอาดเซลล์ตัวอย่างด้วยผ้าที่ปราศจากขุย
10. ใส่เซลล์ตัวอย่างในที่ซีดเซลล์ ตรวจสอบให้แน่ใจว่าได้ใส่เซลล์ตัวอย่างในทิศทางที่ถูกต้องและสอดคล้องเพื่อให้ผลลัพธ์มีความแม่นยำและตรงกัน ดูรายละเอียดใน **รูปที่ 5**
11. ปิดฝาเครื่องไว้เหนือที่ซีดเซลล์ ดูรายละเอียดใน **รูปที่ 6**
12. กด จอภาพจะแสดงผลพีเป็นหน่วยความเข้มข้น หรือการดูดซึม
บันทึก: ผลลัพธ์จะกะพริบ หากผลลัพธ์น้อยกว่าหรือมากกว่าช่วงของเครื่อง
13. นำตัวอย่างเซลล์ออกจากที่ซีดเซลล์
14. ให้เทและล้างเซลล์ตัวอย่างในทันที ล้างเซลล์ตัวอย่างและฝา 3 ครั้งด้วยน้ำปราศจากไอออน (หรือน้ำกลั่น)
บันทึก: หรือสามารถใช้ น้ำประปาล้างเซลล์ตัวอย่างหากค่าที่วัดได้จากตัวอย่างมีความเข้มข้นสูงกว่าค่าน้ำประปา

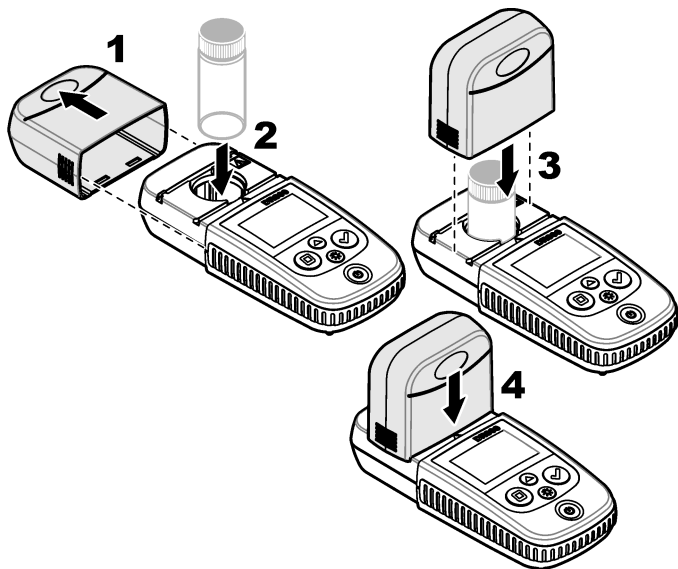
รูปที่ 5 ทิศทางของเซลล์ตัวอย่าง



| | | |
|----------------------------------|--|--|
| 1 เครื่องหมายทิศทาง ⁴ | 2 เซลล์ตัวอย่าง, 25-มม. (10 มล.) แก้ว ⁵ | 3 เซลล์ตัวอย่าง, 1-ชม. (10 มล.) พลาสติก ⁶ |
|----------------------------------|--|--|

- 4 เครื่องบางรุ่นมีเซลล์ตัวอย่าง โดยไม่มีเครื่องหมายบอกทิศทาง
- 5 ใช้เซลล์ตัวอย่างแก้วสำหรับการทดสอบคลอรีนช่วงต่ำ
- 6 ใช้เซลล์ตัวอย่างพลาสติกสำหรับการทดสอบคลอรีนช่วงสูง

รูปที่ 6 ปิดฝาเครื่องไว้เหนือที่ยึดเซลล์



6.1 ดาวนโหลดกระบวนการทดสอบ

1. ไปที่ <http://www.hach.com>.
2. ข้อน "DR300" ในกล่องค้นหา
3. เลือกตัวเลือก "ดาวนโหลด" ทางด้านซ้ายในกล่อง "จำกัดการค้นหาโดย"
4. เลื่อนลงไปที่ "วิธีการ/ขั้นตอน"
5. คลิกที่ลิงค์สำหรับขั้นตอนการทดสอบที่เหมาะสมเพื่อดาวนโหลด

หัวข้อที่ 7 แสดงการวัด

บันทึก: เครื่องจะบันทึกการวัดสูงสุด 50 ค่า หลังจาก 50 การวัด ค่าการวัดเก่าจะถูกแทนที่ด้วยค่าใหม่

1. กด ▲ ค้างไว้เป็นเวลา 3 วินาที
2. กด ▲ จนกว่าจะแสดง "rCL" (เรียกคืน) แล้วกด ✓
จะแสดง "- 01 -" Measurement 01 คือการวัดครั้งสุดท้ายที่ทำ
3. กด ✓ เพื่อเลื่อนไปข้างหน้า
หมายเลขการวัดจะตามด้วยค่าการวัดและเวลา
4. ไปที่หมายเลขการวัด แล้วกด ✓ จนกว่าจะแสดงหมายเลขการวัด แล้วกด ▲ หรือ ☼
บันทึก: ไม่สามารถลบการวัดได้
5. กด ▲ ค้างไว้เป็นเวลา 3 วินาทีเพื่อกลับสู่โหมดการวัด

หัวข้อที่ 8 การสอบเทียบ

เครื่องนี้ถูกสอบเทียบมาจากโรงงาน ผู้ใช้ไม่จำเป็นต้องสอบเทียบ

8.1 ปรับการสอบเทียบมาตรฐาน

ใช้ตัวเลือกการปรับการสอบเทียบมาตรฐาน (SCA) เมื่อต้องการปรับการสอบเทียบเพื่อให้เป็นไปตามกฎข้อบังคับ จะทำการปรับการสอบเทียบจากโรงงานเล็กน้อยด้วยตัวเลือกการปรับการสอบเทียบมาตรฐาน (SCA) เพื่อให้เครื่องแสดงค่าที่คาดหวังของสารละลายมาตรฐาน จะนำการสอบเทียบที่ปรับมาใช้กับผลการทดสอบทั้งหมด การปรับนี้สามารถช่วยเพิ่มความเที่ยงตรงในการทดสอบ เมื่อมีความผันแปรเล็กน้อยในสารตัวกระทำ หรือเครื่อง

บันทึก: สำหรับเครื่องที่มีช่วงหรือวิธีการสอบเทียบจากโรงงาน จะปิดใช้งานคุณสมบัติการปรับการสอบเทียบมาตรฐาน (SCA) เมื่อค่าการสอบเทียบโดยผู้ใช้ถูกป้อนลงในเครื่อง ในการตั้ง SCA ให้เป็นเปิด ให้ตั้งเครื่องเป็นการสอบเทียบเริ่มต้นจากโรงงาน ดูรายละเอียดใน **ตั้งเป็นการสอบเทียบเริ่มต้นจากโรงงาน** ในหน้า 195

8.1.1 ทำการปรับการสอบเทียบมาตรฐาน

1. ดำเนินขั้นตอนการทดสอบให้สำเร็จเพื่อให้สอบเทียบช่วง สำหรับตัวอย่างนี้ ให้ใช้ความเข้มข้นของสารละลายมาตรฐานที่ระบุไว้ในเอกสารขั้นตอนการทดสอบ
บันทึก: หากในเอกสารขั้นตอนการทดสอบไม่ได้ระบุความเข้มข้นของสารละลายมาตรฐาน สามารถใช้มาตรฐานอื่นซึ่งเป็นที่ทราบ
2. เมื่อเสร็จสิ้นขั้นตอนการทดสอบ ให้กด ▲ ค้างไว้เป็นเวลา 3 วินาที
3. กด ▲ จนกว่าจะแสดง "SCA" แล้วกด ✓
จอภาพจะแสดงค่าการปรับการสอบเทียบมาตรฐาน

4. หากใช้มาตรฐานอื่นซึ่งเป็นที่รู้จัก ให้ป้อนค่ามาตรฐาน:

a. กด ▲ จนกว่าจะแสดง "Edit" แล้วกด ✓

b. ป้อนค่าของมาตรฐาน

กด ▲ หรือ ✱ เพื่อเปลี่ยนหมายเลขที่กะพริบ กด ✓ เพื่อไปยังหลักต่อไป กด □ เพื่อไปยังหลักก่อนหน้า

5. กด ✓ เพื่อเพิ่มค่าการปรับการสอบเทียบมาตรฐานไปยังโค้งสอบเทียบของโรงงาน

8.1.2 ปรับการสอบเทียบมาตรฐานเป็นปิด

ใช้การสอบเทียบเริ่มต้นจากโรงงานอีกครั้ง ตั้งการสอบเทียบมาตรฐาน (SCA) เป็นปิด

1. กด ▲ ค้างไว้เป็นเวลา 3 วินาทีเพื่อเข้าสู่โหมดเมนู

2. กด ▲ จนกว่าจะแสดง "SCA" แล้วกด ✓

3. กด ▲ จนกว่าจะแสดง "OFF" แล้วกด ✓

บันทึก: ในการตั้งฟังก์ชัน SCA ให้เป็นเปิดอีกครั้ง ให้ทำการปรับการสอบเทียบมาตรฐาน

8.2 โคน์สอบเทียบที่ผู้ใช้ป้อน




เครื่องนี้สามารถรับ โคน์สอบเทียบที่เตรียม โดยผู้ใช้ โคน์สอบเทียบสามารถเป็นการคูณได้ตั้งแต่ 0 ถึง 2.5 ตรวจสอบให้แน่ใจว่าโคน์สอบเทียบรวมค่ามาตรฐานที่ต่ำกว่าและสูงกว่าช่วงความสนใจ ช่วงของเครื่องจะเหมือนกันกับช่วงการปรับเทียบ ตัวอย่าง เช่น เมื่อค่ามาตรฐานที่ใช้คือ 1.00, 2.00 และ 4.00 ช่วงของเครื่องคือ 1.00 และ 4.00

มี 2 ตัวเลือกในการป้อน โคน์สอบเทียบของผู้ใช้:

- **ป้อนโคน์สอบเทียบพร้อมมาตรฐาน**—ป้อนค่าสารละลายมาตรฐานด้วยเป็นกดจะค่าการคูณจะถูกต้อง
- **ป้อนโคน์สอบเทียบด้วยเป็นกด**—ป้อนค่าสารละลายมาตรฐานและค่าการคูณด้วยเป็นกด

บันทึก: หากตั้งเครื่องเป็นปิด หรือถอดเครื่องออกจากแหล่งจ่ายไฟก่อนการป้อนโคน์สอบเทียบโดยผู้ใช้ โคน์สอบเทียบจะไม่ถูกบันทึก เครื่องจะปิดโดยอัตโนมัติในโหมดการป้อนการสอบเทียบโดยผู้ใช้เมื่อไม่ดำเนินการใดๆ นานกว่า 60 นาที การสอบเทียบโดยผู้ใช้จะเสร็จสิ้นเมื่อผู้ใช้ออกจากโหมดการสอบเทียบ หรือโหมดการแก้ไข

8.2.1 ป้อนเส้นโค้งการปรับเทียบกับมาตรฐาน

| ⚠ คำเตือน | |
|--|---|
|   | อาจได้รับอันตรายจากการสัมผัสสารเคมี ปฏิบัติตามขั้นตอนเพื่อความปลอดภัยในห้องปฏิบัติการ และสวมใส่อุปกรณ์ป้องกันทั้งหมด ให้เหมาะสมในการดำเนินงานกับสารเคมีนั้นๆ โปรดดูกฎระเบียบด้านความปลอดภัยได้ที่เอกสารข้อมูลด้านความปลอดภัยฉบับปัจจุบัน (MSDS/SDS) |
| ⚠ ข้อควรระวัง | |
|  | อาจได้รับอันตรายจากการสัมผัสสารเคมี การกำจัดสารเคมีและของเสียตามกฎหมายข้อบังคับของท้องถิ่น ภูมิภาค และประเทศ |

บันทึก: เป็นทางเลือกที่น้ำ *deionized* สามารถใช้สำหรับการเว้นว่างเปล่าวันแต่ตัวอย่างเป็นอย่างมากชุ่มหรือมีสีมากกว่าน้ำ *deionized*

1. กด **▲** เพื่อตั้งเครื่องให้อยู่ในช่วงการสอบเทียบ (เช่น LR หรือ HR)
2. เตรียมค่าว่างเปล่า อ้างถึงกระบวนการทดสอบ
3. ทำความสะอาดเซลล์ตัวอย่างด้วยผ้าที่ปราศจากขุย
4. ตั้งเครื่องไปที่ศูนย์
 - a. ใส่เซลล์ตัวอย่างที่ว่างไว้ในที่วางขั้วเซลล์
 - b. ปิดฝาเครื่องไว้เหนือที่ขีดเซลล์
 - c. กด **□** จอแสดงผลจะแสดง "----" แล้ว "0.00"
5. กด **▲** ค้างไว้เป็นเวลา 3 วินาทีเพื่อเข้าสู่โหมดเมนู
6. กด **▲** จนกว่าจะแสดง "USER" แล้วกด **✓**
7. กด **▲** จนกระทั่ง "CAL" แสดงขึ้นจากนั้นกด **✓**
8. เมื่อจอภาพแสดง "S0" ให้กด **✓**
9. ป้อน 00.00 (หรือ 000.0) สำหรับค่าว่าง
กด **▲** หรือ **☼** เพื่อเปลี่ยนหมายเลขที่กะพริบ กด **✓** เพื่อไปยังหลักต่อไป กด **□** เพื่อไปยังหลักก่อนหน้า
10. เมื่อ "A0" แสดงบนจอแสดงผลให้กด **✓** เพื่อวัดการดูดกลืนแสงของช่องว่าง
จอแสดงผลจะแสดงค่าการดูดกลืนแสงสำหรับ "S0"

11. นำตัวอย่างเซลล์ออกจากที่ชีดเซลล์
12. เตรียมตัวอย่าง อ้างอิงกระบวนการทดสอบ สำหรับตัวอย่างนี้ ให้ใช้ความเข้มข้นของสารละลายมาตรฐานที่ระบุไว้ในเอกสารขั้นตอนการทดสอบ
13. ทำความสะอาดเซลล์ตัวอย่างด้วยผ้าที่ปราศจากขุย
14. กด ☼ เพื่อแสดง "S1" (หรือ "เพิ่ม") แล้วกด ✓
15. ป้อนค่าความเข้มข้นของมาตรฐานการสอบเทียบครั้งแรกแล้วกด ✓
16. เมื่อ "A1" ปรากฏบนหน้าจอให้ทำตามขั้นตอนต่อไปเพื่อวัดการดูดกลืนแสง:
 - a. ใส่เซลล์ตัวอย่างมาตรฐานที่ทำปฏิกิริยาไว้ในที่ชีดเซลล์
 - b. ปิดฝาเครื่องไว้เหนือที่ชีดเซลล์
 - c. กด ✓ หน้าจอแสดงค่าการดูดกลืนแสงสำหรับ "S1"
17. การสอบเทียบเสร็จสมบูรณ์โดยมีจุดสอบเทียบสองจุด หากจำเป็นต้องมีมาตรฐานเพิ่มเติมสำหรับการสอบเทียบ:

Do steps 11-16 again to measure more calibration standards.

18. นำตัวอย่างเซลล์ออกจากที่ชีดเซลล์
19. ให้เทและล้างเซลล์ตัวอย่างในทันที ล้างเซลล์ตัวอย่างและฝา 3 ครั้งด้วยน้ำปราศจากไอออน (หรือน้ำกลั่น)

บันทึก: อีกทางเลือกหนึ่งคือสามารถใช้น้ำประปาเพื่อล้างเซลล์ตัวอย่างได้หากความเข้มข้นของพารามิเตอร์ในน้ำประปาน้อยกว่าตัวอย่างที่วัดได้
20. กด ▲ ค้างไว้เป็นเวลา 3 วินาทีเพื่อกลับสู่โหมดการวัด

8.2.2 ป้อนโค้งสอบเทียบด้วยเป็นกด

ต้องมีคู่มืออย่างน้อย 2 คู่ในการป้อนโค้งสอบเทียบที่เตรียมโดยผู้ใช้ จำเป็นต้องใช้ค่าความเข้มข้นและค่าการดูดซึมสำหรับค่าความเข้มข้นหนึ่งๆ สำหรับแต่ละคู่ข้อมูล สามารถใส่คู่มือได้สูงสุด

10 รายการ

1. กด ▲ เพื่อตั้งเครื่องให้อยู่ในช่วงการสอบเทียบ (เช่น LR หรือ HR)
2. กด ▲ ค้างไว้เป็นเวลา 3 วินาทีเพื่อเข้าสู่โหมดเมนู
3. กด ▲ จนกว่าจะแสดง "USER" แล้วกด ✓
4. กด ▲ จนกว่าจะแสดง "Edit" แล้วกด ✓
5. เมื่อจอภาพแสดง "S0" ให้กด ✓
6. ป้อนคู่มือแรก

คู่มือแรกคือ S0 (ค่าความเข้มข้น) และ A0 (ค่าการดูดซึม)

 - กด ▲ หรือ ☼ เพื่อเปลี่ยนหมายเลขที่กะพริบ

- กด เพื่อไปยังหลักต่อไป
- กด เพื่อไปยังหลักก่อนหน้า

- ทำขั้นตอนที่ 5 และ 6 อีกครั้งเพื่อป้อนข้อมูลที่ 2 (S1 และ A1)
- การสอบเทียบเสร็จสิ้นด้วย 2 คู่ข้อมูล หากต้องการคู่ข้อมูลเพิ่มเติมสำหรับการสอบเทียบ:
 - เมื่อแสดง "เพิ่ม" ให้กด
 - ทำตาม 5 และ 6 อีกครั้งเพื่อป้อนคู่ข้อมูลเพิ่ม
- กด ค้างไว้เป็นเวลา 3 วินาทีเพื่อกลับสู่โหมดการวัด

8.2.3 ตั้งเป็นการสอบเทียบเริ่มต้นจากโรงงาน

ในการลบเครื่องสอบเทียบที่ผู้ใช้ป้อนออกจากเครื่อง และใช้การสอบเทียบจากโรงงาน ให้ทำตามขั้นตอนต่อไปนี้:

- กด ค้างไว้เป็นเวลา 3 วินาทีเพื่อเข้าสู่โหมดเมนู
- กด จนกว่าจะแสดง "USER" แล้วกด
- กด จนกว่าจะแสดง "dFL" (เริ่มต้น) แล้วกด

หัวข้อที่ 9 การบำรุงรักษา

⚠️ ข้อควรระวัง



อันตรายหลายประการ บุคลากรผู้เชี่ยวชาญเท่านั้นที่ควรดำเนินการตามขั้นตอนที่ระบุในเอกสารส่วนนี้




หมายเหตุ

ห้ามถอดแยกชิ้นส่วนอุปกรณ์ในการบำรุงรักษา หากจำเป็นต้องทำความสะอาดหรือซ่อมแซมส่วนประกอบภายใน ให้ทำการติดต่อผู้ผลิต

9.1 การทำความสะอาดอุปกรณ์

ทำความสะอาดภายนอกอุปกรณ์ด้วยผ้าชุบน้ำหมาดๆ และสบู่อ่อนๆ แล้วจึงเช็ดอุปกรณ์ให้แห้งตามสมควร

9.2 ทำความสะอาดเซลล์ตัวอย่าง

| ⚠️ ข้อควรระวัง | |
|--|---|
|   | อาจได้รับอันตรายจากการสัมผัสสารเคมี ปฏิบัติตามขั้นตอนเพื่อความปลอดภัยในห้องปฏิบัติการ และสวมใส่อุปกรณ์ป้องกันทั้งหมด ให้เหมาะสมในการดำเนินงานกับสารเคมีนั้นๆ โปรดดูกฎระเบียบด้านความปลอดภัยได้ที่เอกสารข้อมูลด้านความปลอดภัยฉบับปัจจุบัน (MSDS/SDS) |
| ⚠️ ข้อควรระวัง | |
|  | อาจได้รับอันตรายจากการสัมผัสสารเคมี การกำจัดสารเคมีและของเสียตามกฎหมายข้อบังคับของท้องถิ่น ภูมิภาค และประเทศ |

ใช้ผงซักฟอกสำหรับห้องปฏิบัติการส่วนใหญ่ด้วยความเข้มข้นที่กำหนด เมื่อต้องทำความสะอาดบ่อยๆ การใช้ผงซักฟอกที่มีค่าเป็นกลาง เช่น Liquinox จะปลอดภัยกว่า เพื่อประหยัดเวลาในการทำความสะอาด ให้เพิ่มอุณหภูมิหรือใช้การอาบอัลตราโซนิก เมื่อทำความสะอาดเสร็จ ให้ล้างด้วยน้ำปราศจากไอออนสองสามครั้งแล้วตากลมเซลล์ตัวอย่างให้แห้ง

สามารถใช้กรดทำความสะอาดเซลล์ตัวอย่างแล้วล้างด้วยน้ำปราศจากไอออนให้สะอาดได้ด้วย

บันทึก: ใช้กรดทำความสะอาดเซลล์ตัวอย่างเสมอเมื่อใช้กับการทดสอบโลหะระดับต่ำ

กระบวนการต่างๆ จะต้องมีวิธีการทำความสะอาดที่เหมาะสมของตัวเอง เมื่อใช้แปร่งเพื่อทำความสะอาดเซลล์ตัวอย่าง ให้ใช้ความระมัดระวังเป็นพิเศษเพื่อหลีกเลี่ยงรอยขีดข่วนด้านในเซลล์ตัวอย่าง

9.3 การเปลี่ยนแบตเตอรี่

เปลี่ยนแบตเตอรี่เมื่อระดับพลังงานของแบตเตอรี่เหลือน้อย ดูรายละเอียดใน [การใส่แบตเตอรี่](#) ในหน้า 184

หัวข้อที่ 10 การแก้ไขปัญหา

| ข้อผิดพลาด | คำอธิบาย | แนวทางแก้ไขปัญหา |
|-------------------------|---|---|
| E-00 | ไม่มีศูนย์ | ในโหมดการสอบเทียบผู้ใช้ สารละลายมาตรฐานถูกวัดก่อนตั้งค่าศูนย์ เครื่องมือ วัดน้ำหนักศูนย์เพื่อตั้งเครื่องให้เป็นศูนย์ |
| E-01 | ข้อผิดพลาดแสง แวดล้อม ⁷ | มีแสงแวดล้อมในที่ช็อคเซลล์ ตรวจสอบให้แน่ใจว่าได้ติดตั้งฝาของเครื่องอย่างถูกต้องบนที่ช็อคเซลล์ ดูรายละเอียดใน ทำการทดสอบ ในหน้า 188 |
| E-02 | ข้อผิดพลาด LED ⁷ | LED (แหล่งกำเนิดแสง) ออกนอกการควบคุม เปลี่ยนแบตเตอรี่ ตรวจสอบให้แน่ใจว่าหลอดไฟ LED ในที่ช็อคเซลล์จะสว่างขึ้นเมื่อ กด <input checked="" type="checkbox"/> หรือ <input type="checkbox"/> |
| E-03 | ข้อผิดพลาดการปรับมาตรฐาน | <ul style="list-style-type: none"> ค่าที่วัดได้ของสารละลายมาตรฐานนั้นมากกว่าขีดจำกัดการปรับเตรียมการเริ่มต้นใหม่ สารละลายมาตรฐานไม่อยู่ในช่วงความเข้มข้นที่สามารถใช้สำหรับการปรับการสอบเทียบมาตรฐาน เตรียมมาตรฐานที่มีค่าที่ หรือใกล้เคียงกับความเข้มข้นที่แนะนำเพื่อให้ไว้ในกระบวนการ ตรวจสอบให้แน่ใจว่าป้อนความหนาแน่นของสารละลายมาตรฐานอย่างถูกต้อง |
| ค่าจะกะพริบตามด้วย E-04 | ค่าจะมากกว่าหรือน้อยกว่าช่วงการตรวจวัดของอุปกรณ์ ⁸ | <p>หากค่าน้อยกว่าช่วงอุปกรณ์ ตรวจสอบให้แน่ใจว่าได้ติดตั้งฝาของเครื่องอย่างถูกต้องบนที่ช็อคเซลล์ วัดค้ำว้าง หากค่าง่างไม่เป็นศูนย์ ให้ตั้งเครื่องเป็นศูนย์อีกครั้ง</p> <p>หากค่าที่วัดได้มากกว่าช่วงอุปกรณ์ ให้หาว่ามีการบดบังแสงในที่ช็อคเซลล์หรือไม่ เจือจางตัวอย่าง ทำการทดสอบอีกครั้ง</p> |
| E-06 | ข้อผิดพลาดการดูดซึม | ค่าการดูดซึม ไม่ถูกต้อง หรือโค้งสอบเทียบที่ผู้ใช้ป้อนมีน้อยกว่า 2 จุด ป้อนหรือวัดค่าการดูดซึมอีกครั้ง |
| E-07 | ข้อผิดพลาดการคำนวณมาตรฐาน | ความเข้มข้นสารละลายมาตรฐานต่ำกว่าความเข้มข้นของสารละลายมาตรฐานอื่นที่ได้ป้อนไว้ในโค้งสอบเทียบที่ผู้ใช้ป้อน ป้อนความเข้มข้นมาตรฐานที่ถูกต้อง |

⁷ เมื่อเกิดข้อผิดพลาด E-01 หรือ E-02 ในการวัด จอภาพจะแสดง " " ตำแหน่งทศนิยมขึ้นอยู่กับสารเคมี หากเกิดข้อผิดพลาด E-01 หรือ E-02 ขณะที่ตั้งเครื่องให้เป็นศูนย์ ให้ตั้งเครื่องให้เป็นศูนย์อีกครั้ง

⁸ ค่าที่กะพริบจะสูงกว่าขีดจำกัดช่วงการทดสอบสูงสุด 10%

| ข้อผิดพลาด | คำอธิบาย | แนวทางแก้ไขปัญหา |
|---|-------------------------------------|---|
| E-09 | ข้อผิดพลาดการเฟลช | เครื่องไม่สามารถบันทึกข้อมูลได้ กดปุ่มค้างไว้เป็นเวลา 5 วินาทีเพื่อรีเซ็ตเครื่อง |
| E-10 | อุณหภูมิสภาพแวดล้อมสูงหรือต่ำเกินไป | อุณหภูมิที่แวดล้อมอยู่ภายนอกช่วง ใช้เครื่องในสภาพการดำเนินการที่ระบุเท่านั้น ดูรายละเอียดใน รายละเอียดทางเทคนิค ในหน้า 180 |
| E-12 | พลังงานแบตเตอรี่ต่ำ | พลังงานแบตเตอรี่ต่ำเกินไป เปลี่ยนแบตเตอรี่ ดูรายละเอียดใน การใช้แบตเตอรี่ ในหน้า 184 |
| E-13 | โพลดพารามิเตอร์ล้มเหลว | หน่วยความจำของอุปกรณ์มีความบกพร่อง ติดต่อฝ่ายให้บริการทางเทคนิค |
| E-14 ตามด้วย "___" หรือ "0" หากไม่มีศูนย์ | การวัดศูนย์ผิดพลาด | การวัดศูนย์ผิดพลาดต่ำเกินไป ใช้เซลล์ตัวอย่างที่เดิมด้วยน้ำแล้วลองอีกครั้ง หากข้อผิดพลาดยังคงเกิดขึ้นอยู่ โปรดติดต่อฝ่ายให้บริการทางเทคนิค |
| E-15 ตามด้วย "___" | การดูซึมสูงเกินไป | ตรวจสอบว่ามีการบดบังแสงในที่ซีดเซลล์หรือไม่ ทำความสะอาดที่ซีดเซลล์ เจ็องตัวอย่าง ทำการทดสอบอีกครั้ง บันทึก: เครื่องไม่สามารถอ่านค่าการดูซึมสูงกว่า 3.5 Abs |
| E-20 | การวัดสัญญาณออกนอกช่วง | มีแสงบนตัวตรวจจับแสงมากเกินไป ตรวจสอบให้แน่ใจว่าได้ติดตั้งฝาของเครื่องอย่างถูกต้องบนที่ซีดเซลล์ ทำการทดสอบอีกครั้ง หากข้อผิดพลาดยังเกิดขึ้นอยู่ โปรดติดต่อฝ่ายให้บริการทางเทคนิค |
| E-21 | การวัดสัญญาณไม่เสถียร | มีสัญญาณไม่เสถียรบนตัวตรวจจับแสงมากเกินไป มีแสงแวดล้อมที่มากเกินไป หรือไม่เสถียร ตรวจสอบให้แน่ใจว่าได้ติดตั้งฝาของเครื่องอย่างถูกต้องบนที่ซีดเซลล์ ทำการทดสอบอีกครั้ง หากข้อผิดพลาดยังเกิดขึ้นอยู่ โปรดติดต่อฝ่ายให้บริการทางเทคนิค |
| E-22 | ข้อผิดพลาดของฮาร์ดแวร์ | ระบบอิเล็กทรอนิกส์ทบกพร่อง ติดต่อฝ่ายให้บริการทางเทคนิค |

อาจเกิดข้อผิดพลาดต่อไปนี้ในทันทีหลังการอัปเดตเครื่อง

| ข้อผิดพลาด | คำอธิบาย | แนวทางแก้ไขปัญหา |
|------------|------------------------------|---|
| E-30 | ไม่มีแอปพลิเคชัน | เกิดข้อผิดพลาดระหว่างการอัปเดตแอปพลิเคชัน ไม่พบแอปพลิเคชันที่ใช้ด้านบนเครื่อง อัปเดตเครื่องอีกครั้ง |
| E31 | การอัปเดต Bootloader ล้มเหลว | เกิดข้อผิดพลาดระหว่างการส่งอัปเดต Bootloader อัปเดต Bootloader อีกครั้ง |
| E-32 | การอัปเดตแอปพลิเคชันล้มเหลว | เกิดข้อผิดพลาดระหว่างการส่งอัปเดตแอปพลิเคชัน อัปเดตเครื่องอีกครั้ง |
| E-66 | อัปเดตล้มเหลว | อุปกรณ์มีความบกพร่อง ติดต่อฝ่ายให้บริการทางเทคนิค |

หัวข้อที่ 11 ชิ้นส่วนอะไหล่และอุปกรณ์เสริม

⚠ คำเตือน



อันตรายต่อการบาดเจ็บของบุคคล การใช้ชิ้นส่วนที่ไม่ได้รับการอนุญาตอาจทำให้เกิดการบาดเจ็บของบุคคล ความเสียหายของเครื่องมือ หรือการทำงานผิดพลาดของอุปกรณ์ ชิ้นส่วนทดแทนในส่วนนี้ได้รับการรับรองโดยผู้ผลิต

บันทึก: หมายเลขผลิตภัณฑ์และส่วนประกอบอาจแตกต่างกันไปตามภูมิภาคที่จัดจำหน่าย ติดต่อตัวแทนจำหน่ายหรือไปที่เว็บไซต์ของบริษัทเพื่อข้อมูลการติดต่อ

ชิ้นส่วนอะไหล่

| คำอธิบาย | จำนวน | หมายเลขสินค้า |
|---------------------------------------|-----------|-----------------|
| แบตเตอรี่อัลคาไลน์ขนาด AAA | 4/แพ็คเกจ | 4674300 |
| ฝาปิดเครื่องมือ | 1 | LPZ445.99.00006 |
| ฝารอบแบตเตอรี่ | 1 | LPZ445.99.00007 |
| เซลล์ตัวอย่าง, 25 มม. (10 มล.) แก้ว | 6/แพ็คเกจ | 2427606 |
| เซลล์ตัวอย่าง, 1 ซม. (10 มล.) พลาสติก | 2/แพ็คเกจ | 4864302 |

อุปกรณ์เสริม

| คำอธิบาย | จำนวน | หมายเลขสินค้า |
|---------------------------|-------|-----------------|
| Hach Communication Dongle | 1 | LPV446.99.00012 |
| กระเป๋า/ซองแบบค้ำข้างอ่อน | 1 | 5953100 |

**HACH COMPANY World Headquarters**

P.O. Box 389, Loveland, CO 80539-0389
U.S.A.

Tel. (970) 669-3050

(800) 227-4224 (U.S.A. only)

Fax (970) 669-2932

orders@hach.com

www.hach.com

HACH LANGE GMBH

Willstätterstraße 11
D-40549 Düsseldorf, Germany

Tel. +49 (0) 2 11 52 88-320

Fax +49 (0) 2 11 52 88-210

info-de@hach.com

www.de.hach.com

HACH LANGE Sàrl

6, route de Compois
1222 Vézenaz

SWITZERLAND

Tel. +41 22 594 6400

Fax +41 22 594 6499

