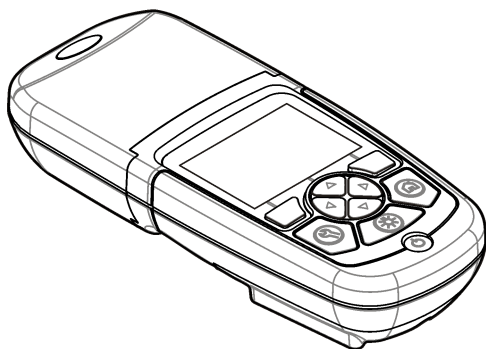




DOC022.97.80344

DR 900

07/2013, Edition 2



User Manual
Manuel d'utilisation
Manual del usuario
Manual do Usuário
用户手册
取扱説明書
사용 설명서
ရွံ့ဝဲးၵ်း

English.....	3
Français.....	18
Español.....	34
Português.....	49
中文.....	65
日本語.....	78
한글.....	93
ไทย.....	107

Table of contents

Specifications on page 3	Standard operation on page 10
General information on page 3	Advanced operation on page 12
Installation on page 6	Maintenance on page 15
User interface and navigation on page 8	Troubleshooting on page 16
Startup on page 9	Replacement parts and accessories on page 16

Specifications

Specifications are subject to change without notice.

Specification	Details
Measurement mode	Transmittance (%), Absorbance (Abs) and Concentration (Conc)
Dimensions (W x D x H)	23.6 x 8.7 x 4.7 cm (9.3 x 3.4 x 1.9 in.)
Enclosure rating	IP67
Weight	0.6 kg (1.3 lb)
Power requirements (internal)	AA Alkaline batteries (4x)
Battery life	6 months (typical) at 5 readings a day/5 day week without the backlight
Interface	USB mini
Operating temperature	0 to 50 °C (32 to 122 °F), maximum 90% relative humidity non-condensing
Storage temperature	-30 to 60 °C (-22 to 140 °F), maximum 90% relative humidity non-condensing
Lamp source	Light emitting diode (LED)
Detector	Silicon photodiode

Specification	Details
Wavelength range	420, 520, 560, 610 nm
Photometric measuring range	0–2 Abs
Wavelength accuracy	±1 nm
Photometric accuracy	±0.005 Abs at 1.0 Abs nominal
Photometric linearity	±0.002 Abs (0–1 Abs)
Wavelength selection	Automatic, based on the method selection
Photometric repeatability	±0.002 Abs (0–1 Abs)
Data readout	Graphical display, 240 x 160 pixel (backlit)
Sample cells	16 mm, 1 cm/10 mL, 1-inch (25 mm) round
Protection class	Class III
Certifications	CE certified
Warranty	1 year

General information

In no event will the manufacturer be liable for direct, indirect, special, incidental or consequential damages resulting from any defect or omission in this manual. The manufacturer reserves the right to make changes in this manual and the products it describes at any time, without notice or obligation. Revised editions are found on the manufacturer's website.

Safety information

NOTICE

The manufacturer is not responsible for any damages due to misapplication or misuse of this product including, without limitation, direct, incidental and consequential damages, and disclaims such damages to the full extent permitted under applicable law. The user is solely responsible to identify critical application risks and install appropriate mechanisms to protect processes during a possible equipment malfunction.

Please read this entire manual before unpacking, setting up or operating this equipment. Pay attention to all danger and caution statements. Failure to do so could result in serious injury to the operator or damage to the equipment.

Make sure that the protection provided by this equipment is not impaired. Do not use or install this equipment in any manner other than that specified in this manual.

Use of hazard information

⚠ DANGER
Indicates a potentially or imminently hazardous situation which, if not avoided, will result in death or serious injury.



⚠ WARNING
Indicates a potentially or imminently hazardous situation which, if not avoided, could result in death or serious injury.





⚠ CAUTION
Indicates a potentially hazardous situation that may result in minor or moderate injury.

NOTICE
Indicates a situation which, if not avoided, may cause damage to the instrument. Information that requires special emphasis.

Precautionary labels

Read all labels and tags attached to the instrument. Personal injury or damage to the instrument could occur if not observed. A symbol on the instrument is referenced in the manual with a precautionary statement.

	This symbol, if noted on the instrument, references the instruction manual for operation and/or safety information.
	This symbol indicates that a risk of explosion is present.

	This symbol indicates that a risk of fire is present.
	This symbol identifies a risk of chemical harm and indicates that only individuals qualified and trained to work with chemicals should handle chemicals or perform maintenance on chemical delivery systems associated with the equipment.
	This symbol indicates the need for protective eye wear.
	Electrical equipment marked with this symbol may not be disposed of in European public disposal systems after 12 August of 2005. In conformity with European local and national regulations (EU Directive 2002/96/EC), European electrical equipment users must now return old or end-of-life equipment to the Producer for disposal at no charge to the user. <i>Note: For return for recycling, please contact the equipment producer or supplier for instructions on how to return end-of-life equipment, producer-supplied electrical accessories, and all auxiliary items for proper disposal.</i>

Certification

Canadian Radio Interference-Causing Equipment Regulation, IECS-003, Class A:

Supporting test records reside with the manufacturer.

This Class A digital apparatus meets all requirements of the Canadian Interference-Causing Equipment Regulations.

Cet appareil numérique de classe A répond à toutes les exigences de la réglementation canadienne sur les équipements provoquant des interférences.

FCC Part 15, Class "A" Limits

Supporting test records reside with the manufacturer. The device complies with Part 15 of the FCC Rules. Operation is subject to the following conditions:

1. The equipment may not cause harmful interference.
2. The equipment must accept any interference received, including interference that may cause undesired operation.

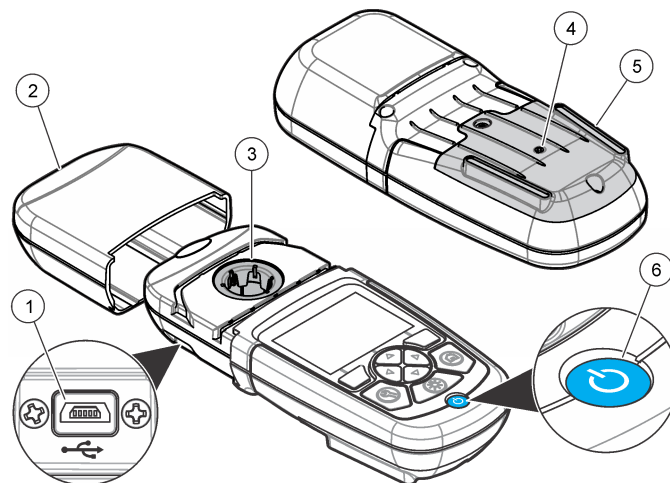
Changes or modifications to this equipment not expressly approved by the party responsible for compliance could void the user's authority to operate the equipment. This equipment has been tested and found to comply with the limits for a Class A digital device, pursuant to Part 15 of the FCC rules. These limits are designed to provide reasonable protection against harmful interference when the equipment is operated in a commercial environment. This equipment generates, uses and can radiate radio frequency energy and, if not installed and used in accordance with the instruction manual, may cause harmful interference to radio communications. Operation of this equipment in a residential area is likely to cause harmful interference, in which case the user will be required to correct the interference at their expense. The following techniques can be used to reduce interference problems:

1. Disconnect the equipment from its power source to verify that it is or is not the source of the interference.
2. If the equipment is connected to the same outlet as the device experiencing interference, connect the equipment to a different outlet.
3. Move the equipment away from the device receiving the interference.
4. Reposition the receiving antenna for the device receiving the interference.
5. Try combinations of the above.

Product overview

The DR 900 is a portable, LED-sourced colorimeter that measures at wavelengths of 420, 520, 560 and 610 nm. The instrument is used to measure various parameters in drinking water, wastewater and industrial applications. The instrument comes with a complete set of stored programs (pre-installed methods) and the availability of user program storage and favorite program selection. Refer to [Figure 1](#).

Figure 1 Instrument overview

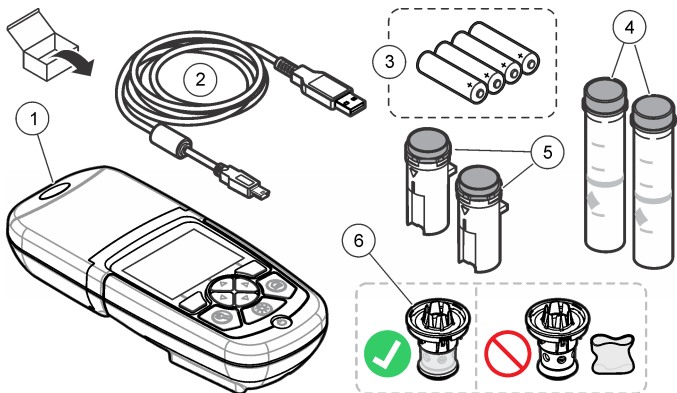


1 USB port	4 Vent
2 Instrument cap	5 Battery compartment
3 Cell compartment	6 Power key

Product components

Make sure that all components have been received. Refer to [Figure 2](#). If any items are missing or damaged, contact the instrument supplier or a sales representative immediately.

Figure 2 Product components



1 DR 900	4 Glass sample cell, 1-inch (25 mm) round, 10, 20, 25-mL marks (2x)
2 USB cable with mini-USB connector	5 Sample cell, 1 cm/10 mL (2x)
3 AA alkaline batteries (4x)	6 Sample cell adapter

Installation

⚠ WARNING



Multiple hazards. Only qualified personnel must conduct the tasks described in this section of the document.

NOTICE

Make sure not to cause a blockage of the instrument battery vent during use or storage.

Install the batteries

⚠ WARNING



Explosion hazard. Incorrect battery installation can cause the release of explosive gases. Be sure that the batteries are of the same approved chemical type and are inserted in the correct orientation. Do not mix new and used batteries.

⚠ WARNING



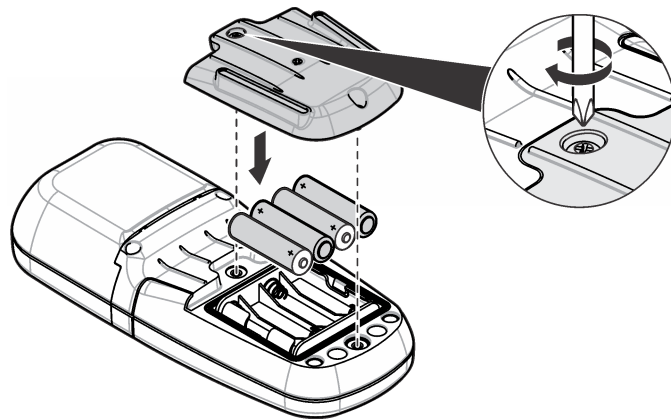
Fire hazard. Battery substitution is not permitted. Use only alkaline batteries.

NOTICE

Make sure to tighten the screws to 1–1.4 N·m (9–12 in.·lb) for a correct seal fit and to maintain the enclosure environmental rating.

The instrument is powered with four AA alkaline batteries. Make sure that the batteries are installed in the correct orientation. Refer to [Figure 3](#) for the battery installation.

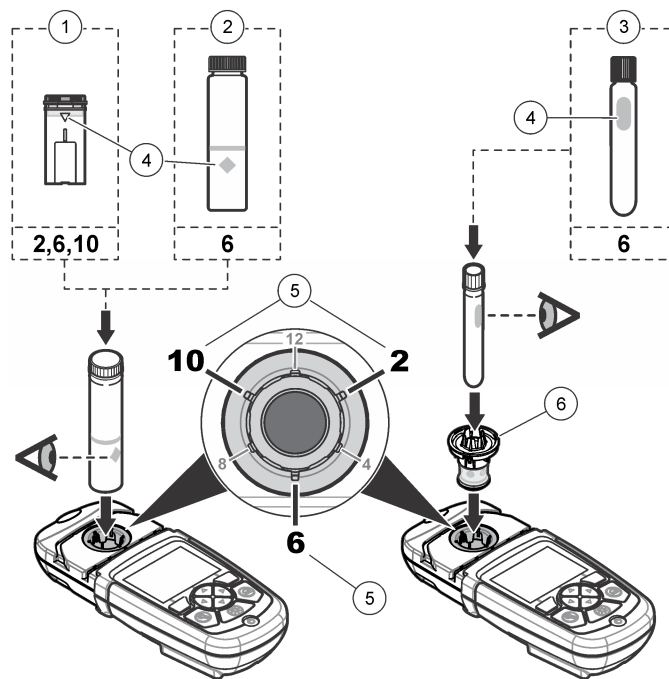
Figure 3 Battery installation



Install the sample cell and cell adapter

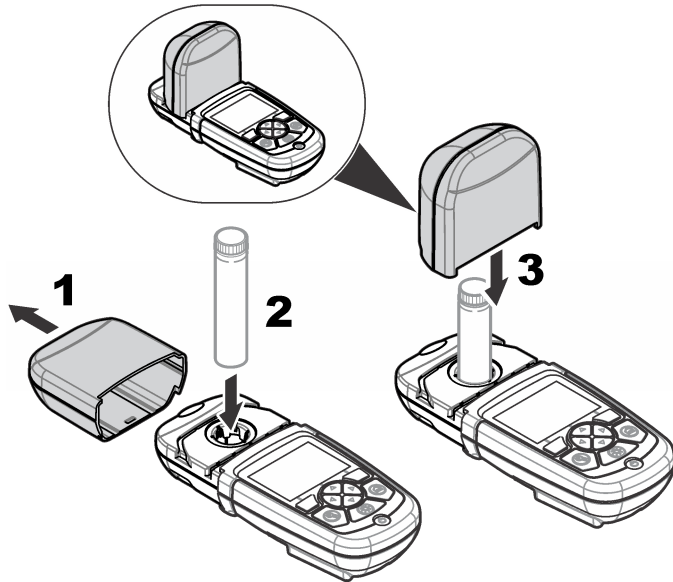
The instrument has one cell compartment which can use one adapter for different sample cell types. Make sure to install the sample cell in the correct orientation and in a consistent orientation so that the results are more repeatable and precise. Refer to [Figure 4](#). Close the instrument cap before the instrument zero is set or a measurement is made to prevent light interferences. Refer to [Figure 5](#).

Figure 4 Sample cell orientation



1 1-cm/10-mL plastic sample cell	4 Orientation mark
2 1-inch (25 mm) glass sample cell	5 Orientation position (clockwise)
3 16-mm glass test vial	6 Sample cell adapter

Figure 5 Sample cell and instrument cap installation

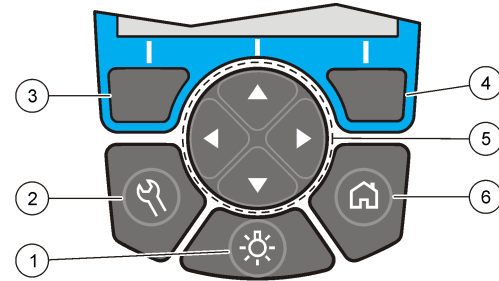


User interface and navigation

Keypad description

Refer to [Figure 6](#) for the keypad description and navigation information.

Figure 6 Keypad description



1 BACKLIGHT: set the display illumination to on or off	4 RIGHT selection key (contextual): read sample, selects or confirms options, opens sub-menus
2 SETTINGS: setup options ¹	5 Navigation keys UP, DOWN, RIGHT, LEFT: scroll through menus, enter numbers and letters ²
3 LEFT selection key (contextual): access for options, cancels or exits the current menu screen to the previous one	6 HOME/Options: go to the main reading screen ¹ , select program, data management

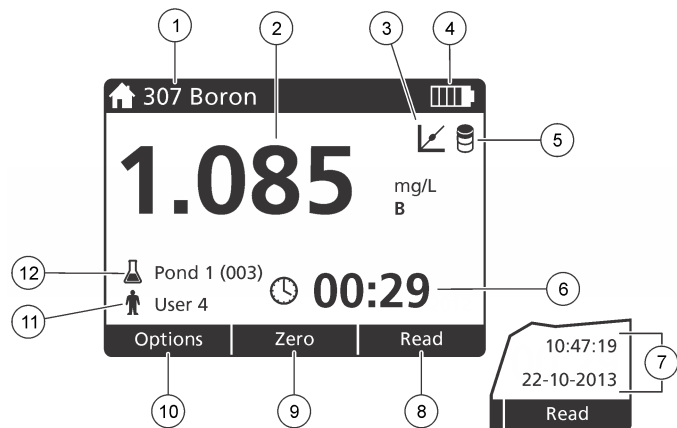
¹ While in an edit mode, the key does not operate.

² When an UP or DOWN key is held, it scrolls fast. When a LEFT or RIGHT key is pushed, it scrolls by page.

Display description

The reading screen shows the selected mode, unit, date and time, operator ID and sample ID. Refer to [Figure 7](#).

Figure 7 Single screen display



1 Program name and number	7 Time and date
2 Reading value, unit, chemical form, under "---" or over measuring range "+++"	8 Read (contextual: done, select, start, ok)
3 Standard adjust icon	9 Zero (contextual: navigation key UP arrow)
4 Battery status	10 Options (contextual: back, cancel)
5 Reagent blank icon	11 Operator identification
6 Timer	12 Sample identification

Navigation

The instrument contains menus to change various options. Use the navigation keys (**UP**, **DOWN**, **RIGHT** and **LEFT** arrows) to highlight different options. Push the **RIGHT** selection key to select an option. Enter an option value with the navigation keys. Push the navigation keys (**UP**, **DOWN**, **RIGHT** and **LEFT** arrows) to enter or change a value. Push the **RIGHT** arrow to advance to the next space. Push the **RIGHT**

selection key under **Done** to accept the value. Push the **LEFT** selection key to exit the current menu screen to the previous one.

Startup

Set the instrument to on or off

Push the **POWER** key to set the instrument to on or off. If the instrument does not power on, make sure that the batteries are correctly installed.

Set the language

There are two options to set the language:

- Set the display language when the instrument is set to on for the first time.
- Set the language from the SETTINGS menu.

1. Push **SETTINGS>Setup>Language**.
2. Select a language from the list.

Set the date and time

There are two options to set the date and time:

- Set the date and time when the instrument is set to on for the first time.
- Set the date and time from the Date & Time menu.

1. Push **SETTINGS>Setup>Date & Time**.
2. Push **Date Format** and select a format for the date and time.
3. Push **Date & Time**.
4. Use the navigation keys to enter the current date and time, then push **Done**.

Standard operation

Program list

The instrument is delivered with a complete series of application programs. Refer to [Table 1](#) for the program descriptions.

Table 1 Program options

Program option	Description
Stored programs	Stored programs are factory-installed, pre-programmed methods. Refer to Select a stored program on page 10.
User programs	Methods can be developed and can be saved as a user program. ¹ Refer to User programs on page 12.
Favorites	Methods which are often used can be saved in the favorite list. ¹

¹ A maximum of ten methods (user programs and/or favorites) can be saved.

Select a stored program

1. Push **HOME>Options>All Programs**.
2. Select the applicable method and push **Start**.
3. Select **Options>Add to Favorites** to add the selected method to favorites for faster access.

Select basic program options

When a program is selected, additional parameter options are available.

1. Push **Options** to access the option menu.

2. Select the applicable options.

Option	Description
Start Timer	Select a pre-set timer or set a manual timer to make sure that the steps of an analysis are correctly timed (e.g., reaction times or wait times can be exactly specified). When the timer is on, the timer icon is shown on the display. The instrument makes an audible sound when the time is over. Pre-set timer —Select the applicable pre-set timer for one or more stored procedure steps and push Start. Timer Manual —Enter the applicable time with the navigation keys and push Done . Default = 00:00
Favorites/User Programs	Select from the stored favorites or user programs list. Refer to Select a favorite or a user program on page 12 for more information.
All Programs	Select a pre-programmed method from the list.
Data Log	Show all saved readings. Refer to Data log on page 12 for more information.
Add to Favorites	Save stored programs and user programs methods which are often used in the favorites list. Refer to Add a program to favorites on page 12.
%T/Abs/Conc	Switch to % transmittance, absorbance or concentration readings. Transmittance reading (%) —Reads the percent of the original light that passes through the sample and reaches the detector. Absorbance readings —The light absorbed by the sample is read in absorbance units. Concentration readings —The measured absorbance values are converted into concentration values with the program-specific stored equation.
Advanced Options	Use the advanced options to specify more parameters. Refer to Select advanced program options on page 11.
Save	Save the last reading manually when the auto save option is set to Off.

Select advanced program options

Every program has various additional advanced options from which to select.

1. Push **Options** to access **Options>Advanced Options**.
2. Use the advanced options to specify more parameters.

Option	Description
Auto Save	Toggle between On and Off. Every reading is automatically saved when the option is set to On. The reading can be saved manually when the option is set to Off.
Chemical Form	Select the alternate chemical form and the associated measuring range on some factory-installed methods.
Reagent Blank	The Reagent Blank correction can be used with some of the factory-installed methods. Enter the result of a completed test using deionized water as the sample. The blank value is subtracted from every result to correct for any background color due to reagents. Enter the blank correction before the Standard Adjust option is used. Complete this correction for each new lot of test reagents.
Standard Adjust	Change stored calibration. Complete a test on a known standard at a concentration near the top of the test range. Use this function to adjust the result to align the standard concentration.
Sort Program	Select an alphabetical or numerical program order for the stored program list.

Use an operator ID

The operator ID tag associates readings with an individual operator. All stored data will include this ID.

1. Push **SETTINGS>Operator ID** in the reading screen.
2. Select, create or delete an operator ID:

Option	Description
Current ID	Select an ID from a list. The current ID will be associated with the sample data until a different ID is selected.

Option	Description
Create New ID	Enter a name for a new operator ID. A maximum of 10 names can be entered.
Delete ID	Erase an existing operator ID.

Use a sample ID

The sample ID tag is used to associate readings with a particular sample or with a location. If assigned, stored data will include this ID.

1. Push **SETTINGS>Sample ID** in the reading screen.
2. Select, create or delete an operator ID:

Option	Description
Current ID	Select an ID from a list. The current ID will be associated with the sample data until a different ID is selected.
Create New ID	Enter a name for a new sample ID. A maximum of 10 names can be entered. The samples are numbered in sequence for each measurement until a different ID is selected (e.g., Pond 1, Pond 2).
Delete ID	Erase an existing sample ID.

How to do a measurement

Basic measurement steps are necessary to complete a measurement. Every method has a step-by-step procedure. Refer to the applicable method to run a specific test. The example that follows is a basic procedure to complete a measurement.

1. Select the applicable program from the programs menu (e.g., Stored Programs, User Programs, Favorites).
2. Install the cell adapter, if necessary.
3. Push **Start** to start the program.
4. Prepare the blank according to the method document. Close the sample cell and clean the optical faces of the sample cell with a lint-free cloth.

5. Insert the blank sample cell into the cell compartment. Make sure to install the blank sample cell in the correct and in a consistent orientation so that the results are more repeatable and precise. Refer to [Figure 4](#) on page 7.
6. Close the instrument cap to prevent light interferences. Refer to [Figure 5](#) on page 8.
7. Push **Zero**. The display shows a concentration of zero (e.g., mg/L, ABS, µg/L).
8. Prepare the sample. Add reagents as specified by the method document.
9. Select **Options>Start Timer** to use the stored timers within the program.
10. Close the sample cell and clean the optical surfaces of the cell with a lint-free cloth
11. Insert the sample into the cell compartment. Make sure to install the sample cell in the correct and in a consistent orientation so that the results are more repeatable and precise. Refer to [Figure 4](#) on page 7.
12. Close the instrument cap to prevent light interferences. Refer to [Figure 5](#) on page 8.
13. Push **Read**. The display shows the results in the selected units.
Note: The display shows "+++" or "---" if the measured absorbance is less or more than the calibration range of the test.

Data log

The data log shows all saved readings. Push **HOME>Options>Data Log** to see the readings. Refer to [Export the data log](#) on page 15 for information about the data log export.

Advanced operation

Select a favorite or a user program

The favorite and user programs database is empty when the instrument is started for the first time. A method can be saved in the favorites for faster access. A user program can be programmed for specific needs.

1. Push **HOME>Options>Favorites/User Programs>Select**.
2. Push **New Program** to make a new user program. Refer to [User programs](#) on page 12.

Add a program to favorites

Stored programs and user programs methods which are often used can be saved in the favorites list.

1. Select **HOME>Options>All Programs**.
2. Select the applicable method and push **Start**.
3. Select **Options>Add to Favorites** to add the selected method to favorites.

User programs

The user programs database is empty when the instrument is started for the first time. Use **New Program** to make new programs for specific needs. To make a new user program, do the steps that follow.

1. Push **HOME>Options>Favorites/User Programs>Select>New Program**.
2. Select an available program number from 1001 to 1010.
Note: A maximum of ten programs (user programs and/or favorites) can be saved.
3. Enter a method name (up to 12 characters).
4. Select the wavelength: 420, 520, 560 or 610 nm.
5. Select the unit: None, µg/L, mg/L or g/L.

6. Select the resolution: 0000, 000.0, 00.00 or 0.000.
7. Add the calibration points: a minimum of 2 and a maximum of 12 calibration points.* Select Edit Std 1 and enter the first standard concentration value. Push **Done**.
Note: A beep means that the concentration is a duplicate of a previously entered standard or the concentration is too high for the selected resolution. Enter a different value and continue.
8. Enter the absorbance value:

Option	Description
Edit ABS Manual	Use the navigation keys to enter the absorbance value manually.
Edit ABS Auto	<ol style="list-style-type: none"> 1. Put the blank into the cell holder and push Zero. 2. Put the prepared sample into the cell holder and push Read. 3. Push Done.

Note: A beep means that the absorbance is a duplicate of a previously entered standard or that it falls between two previous standards. Enter a different value and continue.

9. Push **Done**.
10. Select Add Cal Point.
11. Enter additional calibration points as described in steps 7–9.
12. Select **Save User Program**.

Edit a user program

To edit a stored user program:

1. Select **HOME>Favorites/User Programs**.
2. Select the applicable program and push **Options**.
3. Push **Edit**.
4. Obey the screen prompts to edit the procedure.

Delete a user or a favorite program

Delete a stored user or favorite program if the program is not used anymore.

1. Select **HOME>Options>Favorites/User Programs**.
2. Highlight the applicable program and push **Options>Delete** and obey the screen prompts.

Instrument information

The instrument information menu shows specific information such as the instrument name, serial number, software version, database version, memory used and program availability. Push **SETTINGS>Setup>Instrument Information**.

Set the password

The password settings options are used to prevent access to restricted menus.

Note: If the specified password is forgotten and Security Options is set to on, the operator is locked out of the restricted menus. Contact technical support if the password is forgotten.

1. Push **SETTINGS>Setup>Password Settings**.
2. Select an option.

Option	Description
Password Settings	Select On or Off to set the password protection to on or off.
Protected Items	Shows the list of protected items: edit operator ID, edit sample ID, edit user programs, date & time, upgrade firmware, upgrade methods, language and edit favorites list.

* If the curve is known to be linear, only two concentration data points (e.g., a standard with zero absorbance and another known standard) are necessary. Use additional data points to confirm linearity or define a nonlinear curve.

Set the display and sound

Use the display options to change the display contrast, the battery auto-shutoff options or the backlight option. Use the sound options for an audible sound when a key is pushed or a reading is complete.

1. Push **SETTINGS>Setup>Display & Sound>Display Options**.
2. Select an option.

Option	Description
Contrast	Adjust the display contrast. The lightest setting is 0 and the darkest setting is 9. Default: 5
Auto-Shutoff	To maximize battery life, set a time period after which the instrument will automatically set the power to off if no key is pushed (5, 10, 15, 20, 30 minutes, 1 hour, 2 hours or Disable). Default: 10 minutes
Backlight	The display backlight is set to on when BACKLIGHT is pushed. Set a time period after which the backlight will automatically power off if no key is pushed (10, 20, 30 seconds, 1, 2, 5, 10 minutes or Disable). Default: 1 minute

3. Push **SETTINGS>Setup>Display & Sound>Sounds**.
4. Select an option.

Option	Description
Keystroke	The instrument will make an audible sound whenever a key is pushed. Default: off
Reading Complete	The instrument will make an audible sound whenever a reading is complete. Default: on

USB main menu

When the instrument is connected with a USB cable to a computer, the USB Main Menu opens. Update the software, export or import programs or export the data log and event log from the USB Main Menu.

Update the firmware

Find the firmware upgrade file on the product website or contact the instrument supplier. Save the file from the website to the computer.

1. Set the instrument to on and connect the USB cable to the instrument and to the computer.
The USB Main Menu prompts.
2. Select **Update DR900**.
The instrument shows as a USB drive on the computer. Open the folder.
3. Copy the file DR900.bin to the open folder.
4. Push **Ok**.
5. When the update is done, push **Ok**.
6. Select **Disconnect USB**, push **Ok** and disconnect the USB cable.
7. Push **Ok**.
8. Restart the instrument.

Manage programs

With the Manage Programs function, user programs can be exported and/or imported and new factory programs can be imported.

1. Set the instrument to on and connect the USB cable to the instrument and to the computer.
The USB Main Menu prompts.
2. Select **Manage Programs** and select an option:

Option	Description
Export User Programs	Export all user programs to the computer for storage or to move the user programs to another DR 900.
Import User Programs	Replace all user programs with the user programs from another DR 900 via computer.
Import Factory Programs	Import new factory programs from the manufacturer website.

The instrument shows as a USB drive on the computer. Open the folder.

3. Copy the export file from drive to the computer or copy the import file from the computer to the drive.
4. Push **Ok**.


- When the transfer is done, select **Disconnect USB** and disconnect the USB cable.
- Push **Ok**.

Export the data log

The event log and the data log can be exported to the computer. The event log contains the date, time, event number, parameter and the description of a configuration related action. Sample measurements are stored manually or automatically in the data log. Refer to [Select advanced program options](#) on page 11.

- Set the instrument to on and connect the USB cable to the instrument and to the computer.
The USB Main Menu prompts.
- Select **Export Datalog**.
The instrument shows as a USB drive on the computer. Open the folder.
- Copy and save the export files (DR900_DataLog.csv and DR900_EventLog.csv) to the computer.
- Push **Ok**.
- When the files are copied to the computer, select **Disconnect USB** and disconnect the USB cable.
- Push **Ok**.



Maintenance


⚠ WARNING	
	Multiple hazards. Only qualified personnel must conduct the tasks described in this section of the document.

Clean the instrument

Clean the exterior of the instrument with a moist cloth and a mild soap solution and then wipe the instrument dry.

Clean the sample cells

⚠ CAUTION	
	Chemical exposure hazard. Obey laboratory safety procedures and wear all of the personal protective equipment appropriate to the chemicals that are handled. Refer to the current safety data sheets (MSDS/SDS) for safety protocols.
	


⚠ CAUTION	
	Chemical exposure hazard. Dispose of chemicals and wastes in accordance with local, regional and national regulations.

Most laboratory detergents are used at recommended concentrations. Neutral detergents, such as Liquinox, are safer to use when regular cleaning is necessary. To decrease the cleaning times, increase the temperature or use an ultrasonic bath. To complete the cleaning, rinse a few times with deionized water and then let the sample cell air dry. Sample cells may also be cleaned with acid, followed by a thorough rinse with deionized water.

Note: Always use acid to clean sample cells that were used for low-level metal tests.

Special cleaning methods are necessary for individual procedures. When a brush is used to clean sample cells, take extra care to avoid scratches on the interior surfaces of the sample cells.

Replace the batteries

⚠ WARNING	
	Explosion hazard. Expired batteries can cause hydrogen gas buildup inside the instrument. Replace the batteries before they expire and do not store the instrument for long periods with the batteries installed.

⚠ WARNING



Fire hazard. Battery substitution is not permitted. Use only alkaline batteries.

NOTICE

Make sure to tighten the screws to 1–1.4 N·m (9–12 in.·lb) for a correct seal fit and to maintain the enclosure environmental rating.

Refer to [Install the batteries](#) on page 6 for battery replacement.

Troubleshooting

Error code	Possible cause	Solution
1	Instrument is not configured.	Contact technical support.
2	Could not read program data	
3	Could not write program data	
4	Battery error	Replace the batteries.
5	A/D error during a measurement	Contact technical support.
6	Offset error during a measurement	Make sure that the instrument cap is correctly installed.

Error code	Possible cause	Solution
7	Low light error during a measurement	<ul style="list-style-type: none">• Make sure that there is no light path blockage.• Zero is out of instrument range• Contact technical support.
8	Over range error during a measurement, a potential light blockage or the concentration is too high	<ul style="list-style-type: none">• Make sure that there is no light path blockage and that the concentration is not too high for the program.• Make sure that the instrument cap is correctly installed.• Contact technical support.

Replacement parts and accessories

⚠ WARNING



Personal injury hazard. Use of non-approved parts may cause personal injury, damage to the instrument or equipment malfunction. The replacement parts in this section are approved by the manufacturer.

Note: Product and Article numbers may vary for some selling regions. Contact the appropriate distributor or refer to the company website for contact information.

Replacement parts

Description	Item no.
Adapter assembly, COD	4846400
Battery set, AA alkaline batteries (4x)	1938004
Sample cell with cap, 25 x 95 mm, 10-20-25 mL (6x)	2401906
Sample cell with cap, 1 cm/10 mL (2x)	4864302
USB cable	LZV818

Accessories

Description	Item no.
Cap, sample cell, for 25 x 95 mL cell	2401812
Carrying case, hard-sided	4942500
Carrying case, soft-sided with shoulder strap	2722000
Carrying case, portable laboratory	4943000
DR/Check™ absorbance standards	2763900
Instrument cap, DR 900	9390500

Table des matières

Caractéristiques à la page 18

Généralités à la page 18

Installation à la page 21

Interface utilisateur et navigation
à la page 23

Mise en marche à la page 25

Fonctionnement standard
à la page 25

Utilisation avancée à la page 28

Maintenance à la page 31

Dépannage à la page 32

Pièces de rechange et accessoires
à la page 32

Caractéristiques

Les caractéristiques techniques peuvent être modifiées sans préavis.

Caractéristique	Détails
Mode de mesure	Transmittance (%), Absorbance (Abs) et Concentration (Conc)
Dimensions (l x P x H)	23,6 x 8,7 x 4,7 cm (9,3 x 3,4 x 1,9 pouces)
Indice de protection	IP67
Poids	0,6 kg (1,3 livre)
Alimentation (interne)	Piles alcalines AA (4x)
Autonomie sur piles	6 mois (couramment) avec 5 lectures par jour/5 jours par semaine sans rétroéclairage
Interface	Mini-USB
Température de fonctionnement	0° à 50°C (32 à 122°F), maximum 90% d'humidité relative sans condensation
Température de stockage	-30° à 60°C (-22 à 140°F), maximum 90% d'humidité relative sans condensation
Lampe source	Diode électroluminescente (DEL)
Détecteur	Photodiode au silicium

Caractéristique	Détails
Gamme de longueurs d'onde	420, 520, 560, 610 nm
Plage de mesure photométrique	0–2 Abs
Exactitude de la longueur d'onde	±1 nm
Exactitude photométrique	±0,005 Abs à 1,0 Abs nominal
Linéarité photométrique	±0,002 Abs (0–1 Abs)
Sélection de la longueur d'onde	Automatique, en fonction du choix de méthode
Répétabilité photométrique	±0,002 Abs (0–1 Abs)
Lecture de données	Écran graphique, 240 x 160 pixels (rétroéclairé)
Cuves d'échantillon	16 mm, 1 cm/10 mL, 1 pouce (25 mm) ronde
Classe de protection	Classe III
Certifications	Certifié CE
Garantie	1 an

Généralités

En aucun cas le constructeur ne saurait être responsable des dommages directs, indirects, spéciaux, accessoires ou consécutifs résultant d'un défaut ou d'une omission dans ce manuel. Le constructeur se réserve le droit d'apporter des modifications à ce manuel et aux produits décrits à tout moment, sans avertissement ni obligation. Les éditions révisées se trouvent sur le site Internet du fabricant.

Consignes de sécurité

AVIS

Le fabricant décline toute responsabilité quant aux dégâts liés à une application ou un usage inappropriés de ce produit, y compris, sans toutefois s'y limiter, des dommages directs ou indirects, ainsi que des dommages consécutifs, et rejette toute responsabilité quant à ces dommages dans la mesure où la loi applicable le permet. L'utilisateur est seul responsable de la vérification des risques d'application critiques et de la mise en place de mécanismes de protection des processus en cas de défaillance de l'équipement.

Veillez lire l'ensemble du manuel avant le déballage, la configuration ou la mise en fonctionnement de cet appareil. Respectez toutes les déclarations de prudence et d'attention. Le non-respect de cette procédure peut conduire à des blessures graves de l'opérateur ou à des dégâts sur le matériel.

Assurez-vous que la protection fournie avec cet appareil n'est pas défaillante. N'utilisez ni n'installez cet appareil d'une façon différente de celle décrite dans ce manuel.

Interprétation des indications de risques

▲ DANGER

Indique une situation de danger potentiel ou imminent qui, si elle n'est pas évitée, entraîne des blessures graves, voire mortelles.

▲ AVERTISSEMENT

Indique une situation de danger potentiel ou imminent qui, si elle n'est pas évitée, peut entraîner des blessures graves, voire mortelles.

▲ ATTENTION







Indique une situation de danger potentiel qui peut entraîner des blessures mineures ou légères.

AVIS

Indique une situation qui, si elle n'est pas évitée, peut occasionner l'endommagement du matériel. Informations nécessitant une attention particulière.

Étiquettes de mise en garde

Lisez toutes les étiquettes et tous les repères apposés sur l'instrument. Des personnes peuvent se blesser et le matériel peut être endommagé si ces instructions ne sont pas respectées. Un symbole sur l'appareil est désigné dans le manuel avec une instruction de mise en garde.

	Si l'appareil comporte ce symbole, reportez-vous au manuel d'utilisation pour consulter les informations de fonctionnement et de sécurité.
	Ce symbole signale un risque d'explosion.
	Ce symbole indique un risque d'incendie.
	Ce symbole identifie un risque chimique et indique que seules les personnes qualifiées et formées pour travailler avec des produits chimiques sont autorisées à les manipuler ou à réaliser des opérations de maintenance sur les systèmes associés à l'équipement et utilisant des produits chimiques.
	Ce symbole indique la nécessité de porter des lunettes de protection.
	En Europe, depuis le 12 août 2005, les appareils électriques comportant ce symbole ne doivent pas être jetés avec les autres déchets. Conformément à la réglementation nationale et européenne (Directive 2002/96/CE), les appareils électriques doivent désormais être, à la fin de leur service, renvoyés par les utilisateurs au fabricant, qui se chargera de les éliminer à ses frais. Remarque : Pour le retour à des fins de recyclage, veuillez contacter le fabricant ou le fournisseur d'équipement pour obtenir les instructions sur la façon de renvoyer l'équipement usagé, les accessoires électriques fournis par le fabricant, et tous les articles auxiliaires pour une mise au rebut appropriée.

Certification

Règlement canadien sur les équipements causant des interférences radio, IECIS-003, Classe A:

Les données d'essai correspondantes sont conservées chez le constructeur.

Cet appareil numérique de classe A respecte toutes les exigences du Règlement sur le matériel brouilleur du Canada.

Cet appareil numérique de classe A répond à toutes les exigences de la réglementation canadienne sur les équipements provoquant des interférences.

FCC part 15, limites de classe A :

Les données d'essai correspondantes sont conservées chez le constructeur. L'appareil est conforme à la partie 15 de la réglementation FCC. Le fonctionnement est soumis aux conditions suivantes :

1. Cet équipement ne peut pas causer d'interférence nuisible.
2. Cet équipement doit accepter toutes les interférences reçues, y compris celles qui pourraient entraîner un fonctionnement inattendu.

Les modifications de cet équipement qui n'ont pas été expressément approuvées par le responsable de la conformité aux limites pourraient annuler l'autorité dont l'utilisateur dispose pour utiliser cet équipement. Cet équipement a été testé et déclaré conforme aux limites définies pour les appareils numériques de classe A, conformément à la section 15 de la réglementation FCC. Ces limites ont pour but de fournir une protection raisonnable contre les interférences néfastes lorsque l'équipement fonctionne dans un environnement commercial. Cet équipement génère, utilise et peut irradier l'énergie des fréquences radio et, s'il n'est pas installé ou utilisé conformément au mode d'emploi, il peut entraîner des interférences dangereuses pour les communications radio. Le fonctionnement de cet équipement dans une zone résidentielle risque de causer des interférences nuisibles, dans ce cas l'utilisateur doit corriger les interférences à ses frais Les techniques ci-dessous peuvent permettre de réduire les problèmes d'interférences :

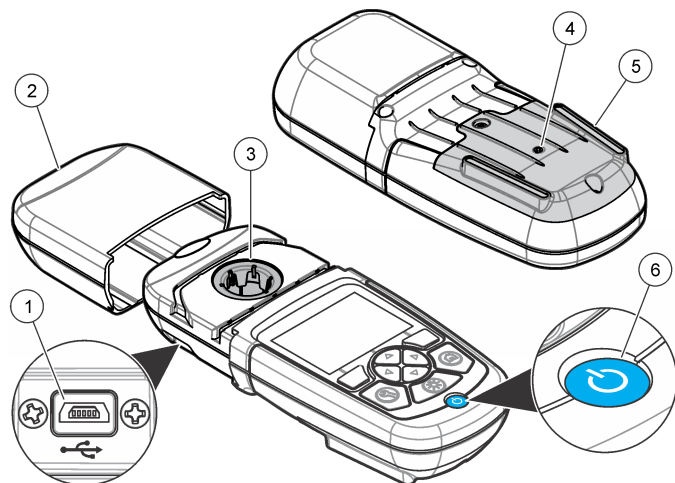
1. Débrancher l'équipement de la prise de courant pour vérifier s'il est ou non la source des perturbations

2. Si l'équipement est branché sur le même circuit de prises que l'appareil qui subit des interférences, branchez l'équipement sur un circuit différent.
3. Éloigner l'équipement du dispositif qui reçoit l'interférence.
4. Repositionner l'antenne de réception du périphérique qui reçoit les interférences.
5. Essayer plusieurs des techniques ci-dessus à la fois.

Présentation du produit

Le DR 900 est un colorimètre portable à source de lumière LED capable de mesurer des longueurs d'onde de 420, 520, 560 et 610 nm. L'instrument permet de mesurer divers paramètres dans les applications d'eau potables, d'eaux usées et industrielles. L'instrument est livré avec un ensemble complet de programmes enregistrés (méthodes préinstallées) et la possibilité de stockage de programmes utilisateur et de sélection de programme favori. Voir [Figure 1](#).

Figure 1 Instrument

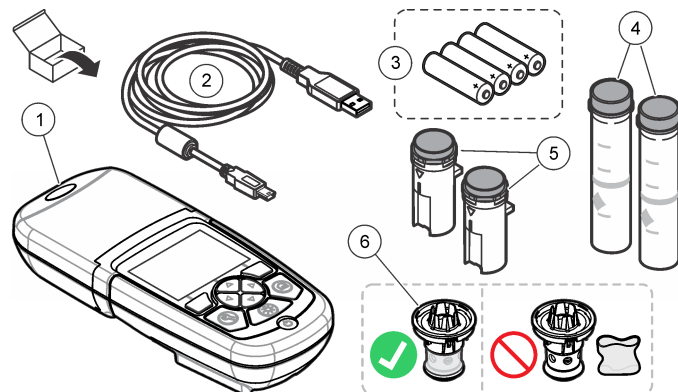


1 Port USB	4 Mise à l'air libre
2 Capuchon de l'instrument	5 Compartiment à piles
3 Compartiment de la cuve	6 Touche d'alimentation

Composants du produit

Assurez-vous d'avoir bien reçu tous les composants. Voir [Figure 2](#). Si des articles sont manquants ou endommagés, contactez immédiatement le fournisseur de l'instrument ou un commercial.

Figure 2 Composants du produit



1 DR 900	4 Cuve d'échantillon en verre, 1 pouce (25 mm) ronde, graduations 10, 20, 25 mL (2x)
2 Câble USB avec connecteur mini-USB	5 Cuve à échantillon, 1 cm/10 mL (2x)
3 Piles alcalines AA (4x)	6 Adaptateur de cuve à échantillon

Installation

⚠ AVERTISSEMENT



Dangers multiples. Seul le personnel qualifié doit effectuer les tâches détaillées dans cette section du document.

AVIS

Veillez à ne pas gêner la connexion des piles de l'instrument lors de son utilisation ou du stockage

Installation des piles

⚠ AVERTISSEMENT



Risque d'explosion Une installation incorrecte des piles peut libérer des gaz explosifs. Veillez à ce que les piles soient du même type chimique homologué et qu'elles soient insérées dans le bon sens. Ne mélangez pas des piles neuves et des piles usagées.

⚠ AVERTISSEMENT



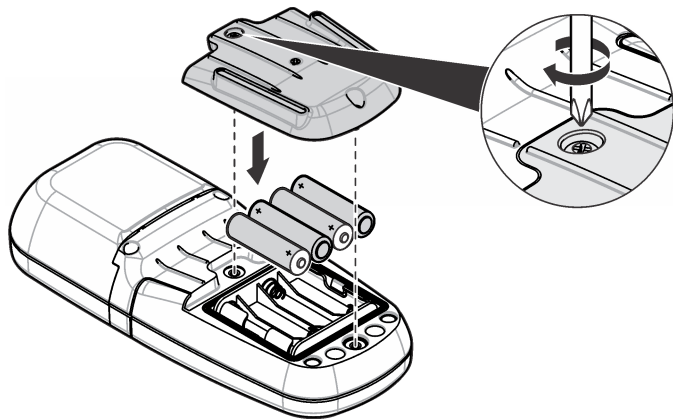
Risque d'incendie. La substitution du type de pile n'est pas autorisée. Utilisez uniquement des piles alcalines.

AVIS

Assurez-vous de bien serrer les vis de 1 à 1,4 Nm (de 9 à 12 po lb) afin de garantir un bon maintien et de préserver l'indice de protection.

L'instrument est alimenté par quatre piles alcalines AA. Vérifier que les piles sont installées dans le bon sens. Consultez [Figure 3](#) pour la mise en place des piles.

Figure 3 Installation des piles



Installation de la cuve à échantillon et de l'adaptateur de cuve

L'instrument comporte un compartiment de cuve pouvant recevoir un adaptateur pour différents types de cuve à échantillon. Assurez-vous d'installer la cuve à échantillon correctement et dans une orientation fixe pour des résultats plus répétables et précis. Voir [Figure 4](#). Fermez le capuchon de l'instrument avant de régler le zéro ou d'effectuer une mesure pour éviter les interférences lumineuses. Voir [Figure 5](#).

Figure 4 Orientation de la cuve à échantillon

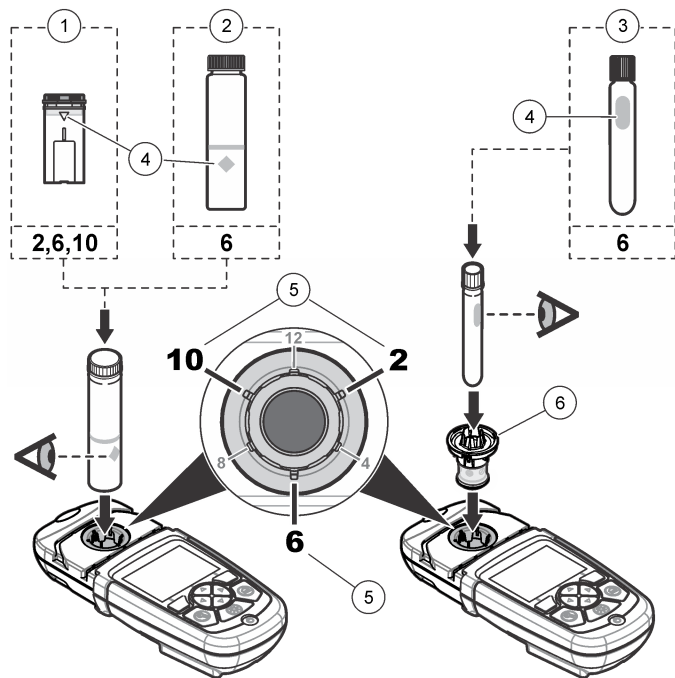
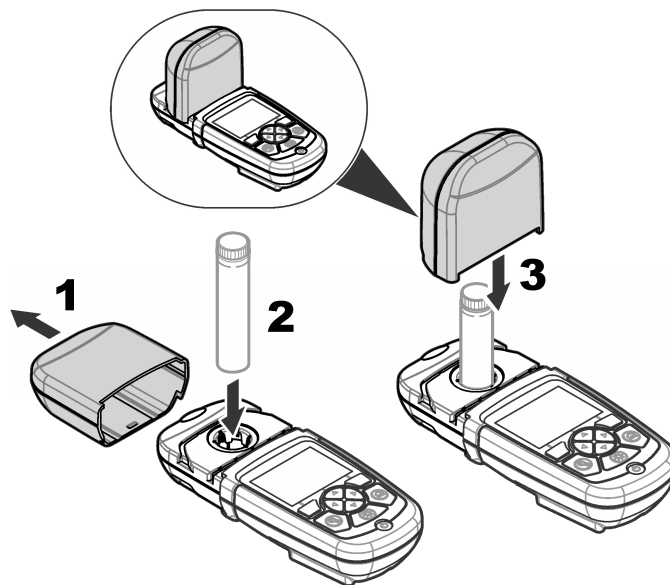


Figure 5 Installation de la cuve à échantillon et du capuchon d'instrument



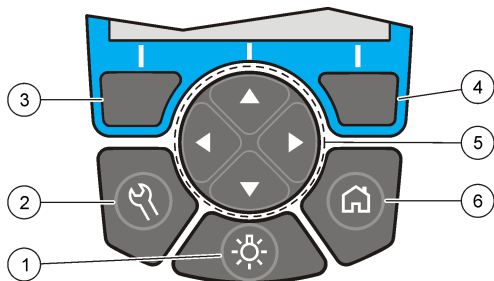
Interface utilisateur et navigation

Description du clavier

Consultez [Figure 6](#) pour une description du clavier et des informations de parcours des menus.

1 Cuve à échantillon en plastique 1 cm/10 mL	4 Repère d'orientation
2 Cuve à échantillon en verre 1 pouce (25 mm)	5 Position d'orientation (horaire)
3 Flaçon d'essai en verre 16 mm	6 Adaptateur de cuve à échantillon

Figure 6 Description du clavier



1 RÉTROÉCLAIRAGE : allume ou éteint l'éclairage de l'écran	4 Touche de sélection DROITE (contextuelle) : Lire d'échantillon, sélections ou confirmations d'options, ouverture de sous-menus
2 PARAMÈTRES : options de configuration ¹	5 Touches de navigation HAUT, BAS, DROITE, GAUCHE : parcours des menus, saisie de chiffres et de lettres ²
3 Touche de sélection GAUCHE (contextuelle) : accès aux options, annulations ou sorties de l'écran de menu pour revenir au précédent	6 ACCUEIL/Options : pour revenir à l'écran principal de lecture ¹ , sélectionner un programme, gérer les données

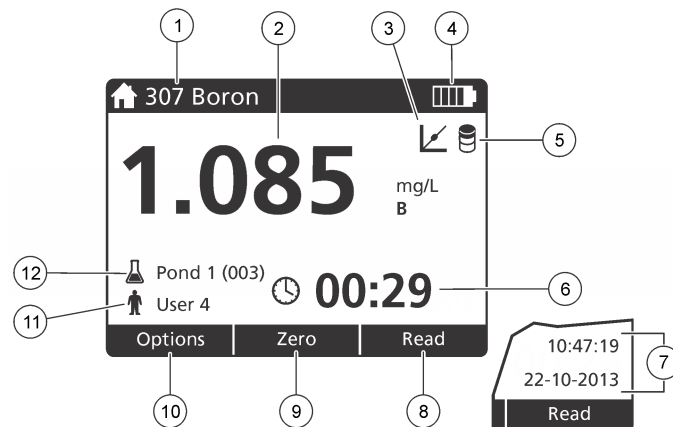
¹ En mode de modification, la touche n'est plus active.

² Le maintien de la touche HAUT ou BAS actionne un défilement rapide. L'appui sur la touche GAUCHE ou DROITE fait défiler par page.

Description de l'affichage

L'écran de lecture affiche le mode sélectionné, l'unité, la date et l'heure, l'identifiant de l'opérateur et l'identifiant de l'échantillon. Voir [Figure 7](#).

Figure 7 Affichage sur écran unique



1 Nom et numéro du programme	7 Heure et date
2 Valeur, unité et formule chimique affichées inférieures « --- » ou supérieures à la plage de mesure « +++ »	8 Lire (contextuel : Terminer, Sélect., Départ, OK)
3 Icône de réglage standard	9 Zéro (contextuel : touche de navigation flèche haut)
4 Etat des piles	10 Options (contextuel : Préc., Annuler)
5 Icône de blanc de réactif	11 Identification d'opérateur
6 Minuterie	12 Identification d'échantillon

Navigation

L'instrument contient des menus permettant de modifier diverses options. Utilisez les touches de navigation (**HAUT, BAS, DROITE** et **GAUCHE**) pour mettre en évidence les différentes options. Appuyer sur la touche de sélection **DROITE** pour sélectionner une option. Saisissez

une valeur d'option avec les touches de navigation. Appuyez sur les touches de navigation (**HAUT**, **BAS**, **DROITE** et **GAUCHE**) pour saisir ou modifier une valeur. Appuyez sur la touche **DROITE** pour passer à l'espace suivant. Appuyez sur la touche de sélection **DROITE** sous **Terminer** pour accepter la valeur. Appuyez sur la touche de sélection **GAUCHE** pour quitter l'écran de menu en cours et revenir au précédent.

Mise en marche

Allumage et extinction de l'instrument

Appuyez sur la touche **ALIMENTATION** pour allumer ou éteindre l'instrument. Si l'instrument ne s'allume pas, vérifiez que les piles sont installées correctement.

Choix de la langue

Il existe deux possibilités de choix de la langue :

- Régler la langue d'affichage au premier allumage de l'instrument.
- Régler la langue depuis le menu PARAMÈTRES.

1. Appuyez sur **PARAMÈTRES>Setup>Langue**.
2. Sélectionnez une langue dans la liste.

Réglage de la date et de l'heure

Il existe deux possibilités de réglage de la date et de l'heure :

- Régler la date et l'heure au premier allumage de l'instrument.
- Régler la date et l'heure à partir du menu Date et heure.

1. Appuyez sur **PARAMÈTRES>Setup>Date et heure**.
2. Appuyez sur **Format de date** et sélectionnez un format de date et d'heure.
3. Appuyez sur **Date et heure**.
4. Utilisez les touches de navigation pour saisir la date et l'heure en cours, puis appuyez sur **Terminer**.

Fonctionnement standard

Liste des programmes

L'instrument est livré avec une série complète de programmes d'application. Consultez [Tableau 1](#) pour la description des programmes.

Tableau 1 Options du programme

Option de programme	Description
Programmes enregistrés	Les programmes enregistrés sont des méthodes préprogrammées installées en usine. Voir Sélection d'un programme enregistré à la page 25.
Programmes utilisateur	Il est possible de concevoir des méthodes pour les enregistrer en tant que programme utilisateur. ¹ Voir Programmes utilisateur à la page 28.
Favoris	Les méthodes utilisées le plus souvent peuvent être enregistrées dans la liste de favoris. ¹

¹ Dix méthodes au maximum (programme utilisateur ou favoris) peuvent être enregistrées.

Sélection d'un programme enregistré

1. Appuyez sur **ACCUEIL>Options>All Programs**.
2. Sélectionnez la méthode correspondante et appuyez sur **Départ**.
3. Sélectionnez **Options>Ajouter aux favoris** pour ajouter la méthode sélectionnée aux favoris pour y accéder plus rapidement.

Sélection des options de programme de base

Quand un programme est sélectionné, des options supplémentaires des paramètres deviennent disponibles.

1. Appuyez sur **Options** pour accéder au menu d'option.
2. Sélectionnez les options applicables.

Option	Description
Démarrer le chrono	Sélectionnez une temporisation prédéfinie ou définissez une temporisation manuelle pour vous assurer que les étapes d'une analyse sont programmées correctement (par exemple il est possible de spécifier exactement les temps de réaction ou les temps d'attente). Quand le temporisateur est actif, l'icône de temporisateur apparaît à l'écran. L'instrument émet un signal sonore quand le temps est écoulé. Tempo prédéf. —Sélectionnez la temporisation prédéfinie pour une ou plusieurs étapes de procédure enregistrées et appuyez sur Départ. Tempo manuelle —Entrez le temps applicable avec les touches de navigation et appuyez sur Terminer . Par défaut = 00:00
Favorites/User Programs	Sélectionnez parmi les listes de favoris ou de programmes utilisateur enregistrés. Pour en savoir plus, reportez-vous à la section Sélection d'un favori ou d'un programme utilisateur à la page 28.
All Programs	Sélectionnez une méthode préprogrammée dans la liste.
Journal des données	Affiche toutes les valeurs lues enregistrées. Pour en savoir plus, reportez-vous à la section Journal de données à la page 28.
Ajout aux favoris	Enregistrez les programmes et méthodes de programme utilisateur utilisés le plus souvent dans la liste de favoris. Voir Ajout d'un programme aux favoris à la page 28.
%T/Abs/Conc	Commutation des lectures en % transmittance, absorbance ou concentration. Lire transmittance (%) —Lit le pourcentage de lumière incidente qui traverse l'échantillon et atteint le détecteur. Lecture absorbance —La lumière absorbée par l'échantillon est mesurée en termes d'unités d'absorption. Lecture concentration —Les valeurs d'absorbance mesurées sont converties en valeurs de concentration par l'équation enregistrée dans le programme.

Option	Description
Options avancées	Utilisez les options avancées pour préciser des paramètres supplémentaires. Voir Sélection des options de programme avancées à la page 26.
Enr.	Enregistre manuellement la dernière valeur lue quand l'option Enreg. auto est sur Désactivé.

Sélection des options de programme avancées

Chaque programme dispose de diverses options avancées au choix.

1. Appuyez sur **Options** pour accéder à **Options>Options avancées**.
2. Utilisez les options avancées pour préciser des paramètres supplémentaires.

Option	Description
Enreg auto	Bascule entre activé et Désactivé. Chaque lecture est enregistrée automatiquement quand l'option est sur On. La lecture peut être enregistrée manuellement quand l'option est sur Désactivé.
Formule chimique	Sélectionnez l'autre forme chimique et la plage de mesure correspondante sur certaines méthodes installées en usine.
Blanc réactif	La correction de blanc de réactif peut s'utiliser avec certaines méthodes installées en usine. Saisissez le résultat de l'essai terminé avec de l'eau déionisée comme échantillon. La valeur du blanc est soustraite de chaque résultat pour corriger la couleur d'arrière-plan due aux réactifs. Saisissez la correction de blanc avant d'utiliser l'option Ajuster l'étalon. Effectuez cette correction pour chaque nouveau lot de réactifs de test.
Ajuster l'étalon	Modifiez l'étalonnage enregistré. Effectuez un essai sur un standard connu à une concentration proche du haut de la plage de test. Utilisez cette fonction pour ajuster le résultat en fonction de la concentration du standard.
Tri des programmes	Sélectionnez l'ordre alphabétique ou numérique pour la liste des programmes enregistrés.

Utiliser un ID d'opérateur

L'étiquette d'ID d'opérateur associe les mesures à un opérateur particulier. Toutes les données enregistrées incluent cet ID.

1. Appuyez sur **PARAMÈTRES>ID opérateur** sur l'écran de mesure.
2. Sélection, création ou suppression d'un ID d'opérateur :

Option	Description
ID en cours	Sélectionne un ID dans une liste. L'identifiant en cours sera alors associé aux données d'échantillon jusqu'à la sélection d'un autre identifiant.
Créer un ID	Entre un nom pour un nouvel ID d'opérateur. Il est possible de créer 10 noms au maximum.
Supprimer ID	Efface un identifiant d'opérateur existant.

Utiliser un ID d'échantillon

L'étiquette d'ID d'échantillon permet d'associer les mesures à un échantillon ou à un emplacement d'échantillon spécifique. Les données enregistrées incluent cette identification si elle est attribuée.

1. Appuyez sur **PARAMÈTRES>ID d'échantillon** sur l'écran de mesure.
2. Sélection, création ou suppression d'un ID d'opérateur :

Option	Description
ID en cours	Sélectionne un ID dans une liste. L'identifiant en cours sera alors associé aux données d'échantillon jusqu'à la sélection d'un autre identifiant.
Créer un ID	Entre un nom pour un nouvel ID d'échantillon. Il est possible de créer 10 noms au maximum. Les échantillons sont numérotés dans l'ordre pour chaque mesure jusqu'à sélection d'un identifiant différent (par exemple Mare 1, Mare 2).
Supprimer ID	Efface un identifiant d'échantillon existant.

Comment effectuer une mesure

Des étapes de mesure de base sont nécessaires pour effectuer une mesure. Chaque méthode est détaillée par une procédure pas à pas. Consultez la méthode correspondante pour exécuter un essai particulier. L'exemple qui suit est une procédure de base pour effectuer une mesure.

1. Sélectionnez le programme correspondant dans le menu des programmes (par exemple Stored Programs, User Programs, Favorites).
2. Installez l'adaptateur de cuve, si nécessaire.
3. Appuyez sur **Start** pour démarrer le programme.
4. Préparez le blanc selon le document descriptif de la méthode. Fermez la cuve à échantillon et nettoyez les faces optiques de la cuve avec un chiffon non pelucheux.
5. Insérez la cuve d'échantillon blanc dans le compartiment de cuves. Assurez-vous d'installer la cuve d'échantillon blanc correctement et dans une orientation toujours identique pour obtenir des résultats plus répétables et précis. Voir [Figure 4](#) à la page 23.
6. Fermez le capuchon de l'échantillon pour éviter les interférences lumineuses. Voir [Figure 5](#) à la page 23.
7. Appuyez sur **Zéro**. L'écran affiche une concentration égale à zéro (par exemple mg/L, ABS, µg/L).
8. Préparation de l'échantillon. Ajoutez les réactifs selon les indications du document de méthode.
9. Sélectionnez **Options>Démarrer le chrono** pour utiliser les temporisations enregistrées dans le programme.
10. Fermez la cuve à échantillon et nettoyez les surfaces optiques de la cuve avec un chiffon non pelucheux.
11. Insérez l'échantillon dans le compartiment de cuves. Assurez-vous d'installer la cuve d'échantillon correctement et dans une orientation toujours identique pour obtenir des résultats plus répétables et précis. Voir [Figure 4](#) à la page 23.
12. Fermez le capuchon de l'échantillon pour éviter les interférences lumineuses. Voir [Figure 5](#) à la page 23.

13. Appuyez sur **Mesure**. L'affichage indique les résultats dans les unités sélectionnées.

Remarque : L'écran indique « +++ » ou « --- » si la valeur d'absorbance est inférieure ou supérieure à la plage d'étalonnage de l'essai.

Journal de données

Le journal des données affiche l'enregistrement de toutes les valeurs. Appuyez sur **ACCUEIL>Options>Journal des données** pour afficher les valeurs lues. Consultez [Exportation du journal des données](#) à la page 31 pour plus de détails sur l'exportation du journal des données.

Utilisation avancée

Sélection d'un favori ou d'un programme utilisateur

La base de données de favoris et de programmes utilisateur est vide au premier démarrage de l'instrument. Il est possible d'enregistrer une méthode dans la liste de favoris pour y accéder plus rapidement. Il est possible de programmer un programme utilisateur pour des besoins spécifiques.

1. Appuyez sur **ACCUEIL>Options>Favoris/Programmes utilisateur>Sélectionner**.
2. Appuyez sur **Nouveau programme** pour créer un programme utilisateur. Voir [Programmes utilisateur](#) à la page 28.

Ajout d'un programme aux favoris

Les programmes enregistrés et méthodes de programme utilisateur couramment utilisés peuvent être enregistrés dans la liste de favoris.

1. Sélectionnez **ACCUEIL>Options>Tous les programmes**.
2. Sélectionnez la méthode correspondante et appuyez sur **Départ**.
3. Sélectionnez **Options>Ajouter aux favoris** pour ajouter la méthode sélectionnée aux favoris.

Programmes utilisateur

La base de données de programmes utilisateur est vide au premier démarrage de l'instrument. Utilisez **Nouveau programme** pour créer des programmes correspondant à vos besoins spécifiques. Pour créer un programme utilisateur, procédez comme suit.

1. Appuyez sur **ACCUEIL>Options>Favoris/Programmes utilisateur>Sélectionner>Nouveau programme**.
2. Sélectionnez un numéro de programme disponible entre 1001 et 1010.
Remarque : Il est possible d'enregistrer au maximum dix programmes (programmes utilisateur ou favoris).
3. Entrez un nom de méthode (jusqu'à 12 caractères).
4. Sélectionnez la longueur d'onde : 420, 520, 560 ou 610 nm.
5. Sélectionnez l'unité : None, µg/L, mg/L ou g/L.
6. Sélectionnez la résolution : 0000, 000,0, 00,00 ou 0,000.
7. Ajoutez les points d'étalonnage : au minimum 2 et au maximum 12 points d'étalonnage.* Sélectionnez Modif Std 1 et entrez la valeur de concentration du premier standard. Appuyez sur **Terminer**.
Remarque : Un bip signale que la concentration est en double d'un standard précédemment saisi ou que la concentration est trop élevée pour la résolution sélectionnée. Entrez une valeur différente et continuez.

* Si la courbe est linéaire, seuls deux points de données de concentration (par exemple un standard d'absorbance zéro et un autre standard connu) sont nécessaires. Utilisez les points de données supplémentaires pour confirmer la linéarité ou pour définir une courbe non linéaire.

8. Entrez la valeur d'absorbance :

Option	Description
Modif ABS manuel	Utilisez les touche de navigation pour saisir manuellement la valeur d'absorbance.
Modif ABS auto	<ol style="list-style-type: none">1. Placez le blanc dans le porte-cuve et appuyez sur Zéro.2. Placez l'échantillon préparé dans le porte-cuve et appuyez sur Lire.3. Appuyez sur Terminer.

Remarque : Un bip signale que l'absorbance est en double d'un standard précédemment saisi ou se trouve entre deux standards précédents. Entrez une valeur différente et continuez.

9. Appuyez sur **Terminer**.

10. Sélectionnez Ajout pt étal..

11. Entrez les points d'étalonnage supplémentaires comme indiqué dans les étapes 7–9.

12. Sélectionnez **Enreg. prog. util.**

Modification d'un programme utilisateur

Pour modifier un programme utilisateur enregistré :

1. Sélectionnez **ACCUEIL>Favorites/User Programs**.
2. Sélectionnez le programme correspondant et appuyez sur **Options**.
3. Appuyez sur **Modif.**
4. Suivez les invites à l'écran pour modifier la procédure.

Supprimer un programme utilisateur ou favori

Supprimer un programme utilisateur ou favori enregistré, s'il n'est plus utilisé.

1. Sélectionnez **ACCUEIL>Options>Favorites/User Programs**.
2. Mettez en évidence le programme correspondant et appuyez sur **Options>Supprimer**, puis suivez les invites à l'écran.

Données d'instrument

Le menu d'informations instrument affiche des données spécifiques telles que le nom de l'instrument, le numéro de série, la version du logiciel, la version de la base de données, la mémoire utilisée et la disponibilité des programmes. Appuyez sur **PARAMÈTRES>Setup>Données d'instrument**.

Définition du mot de passe

Les options de définition de mot de passe permettent d'éviter l'accès aux menus restreints.

Remarque : En cas d'oubli du mot de passe spécifié si Options de sécurité est sur activé, l'opérateur ne peut plus accéder aux menus restreints. Contactez le support technique en cas d'oubli du mot de passe.

1. Appuyez sur **PARAMÈTRES>Setup>Param. mots de passe**.
2. Sélectionnez une option.

Option	Description
Param. mots de passe	Sélectionnez activé ou Désactivé pour respectivement activer ou désactiver la protection par mot de passe.
Éléments protégés	Affiche la liste des éléments protégés : modif ID opérateur, modif ID d'échantillon, modif prog. util., Date et heure, mise à jour log., mettre à jour méthodes, langue et modif liste favoris.

Réglage de l'écran et des sons

Utilisez les options d'affichage pour modifier le contraste de l'écran, les options d'arrêt automatique sur piles ou l'option de rétroéclairage. Utilisez les options sonores pour obtenir un signal sonore lors de l'appui sur une touche ou de l'achèvement d'une mesure.

1. Appuyez sur **PARAMÈTRES>Setup>Affichage et son>Options d'affichage**.
2. Sélectionnez une option.

Option	Description
Contraste	Règle le contraste de l'écran. Le réglage le plus clair est 0 et le plus sombre est 9. Par défaut : 5
Arrêt auto	Pour optimiser la durée de vie des piles, réglez une durée après laquelle l'instrument s'éteindra automatiquement si aucune touche n'est actionnée (5, 10, 15, 20, 30 minutes, 1 heure, 2 heures ou Désactivé). Par défaut : 10 minutes
Rétroéclairage	Le rétroéclairage de l'écran s'allume en appuyant sur la touche RÉTROÉCLAIRAGE . Réglez une durée après laquelle le rétroéclairage s'éteint automatiquement quand aucune touche n'est actionnée (10, 20, 30 secondes, 1, 2, 5, 10 minutes ou Désactivé). Par défaut : 1 minute

3. Appuyez sur **PARAMÈTRES>Setup>Affichage et son>Sons**.
4. Sélectionnez une option.

Option	Description
Touche	L'instrument émet un signal sonore à chaque pression sur une touche. Par défaut : Désactivé
Lecture terminée	L'instrument émet un signal sonore à chaque achèvement d'une lecture. Par défaut : activé

Menu principal USB

Quand l'instrument est connecté à un ordinateur par un câble USB, le menu principal USB s'ouvre. Le menu principal USB permet de mettre à jour le logiciel, d'exporter ou d'importer des programmes ou d'exporter le journal d'événement et le journal des données.

Mise à niveau du micrologiciel

Trouvez le fichier de mise à jour de micrologiciel sur le site web du produit ou contactez le fournisseur de l'instrument. Enregistrez le fichier du site web sur l'ordinateur.

1. Allumez l'instrument et connectez le câble USB à l'instrument et à l'ordinateur.
Les invites du menu principal USB.
2. Sélectionnez **Update DR900 (Mettre à jour DR900)**.
L'instrument apparaît comme lecteur USB sur l'ordinateur. Ouvrez le dossier.
3. Copiez le fichier DR900.bin dans le dossier ouvert.
4. Appuyez sur **OK**.
5. Quand la mise à jour est terminée, appuyez sur **Ok**.
6. Sélectionnez **Déconnecter USB**, appuyez sur **Ok** et déconnectez le câble USB.
7. Appuyez sur **OK**.
8. Redémarrez l'instrument.

Gérer les programmes

La fonction Gérer les programmes permet d'exporter ou d'importer des programmes utilisateur ou de nouveaux programmes d'usine.

1. Allumez l'instrument et connectez le câble USB à l'instrument et à l'ordinateur.
Les invites du menu principal USB.
2. Sélectionnez **Gérer les programmes** et sélectionnez une option :

Option	Description
Exporter prog. util.	Exporte tous les programmes utilisateur vers l'ordinateur pour stockage ou pour faire passer les programmes utilisateur vers un autre appareil DR 900.
Importer prog. util.	Remplace tous les programmes utilisateur par ceux provenant d'un autre appareil DR 900 depuis l'ordinateur.
Importer prog. usine	Importe de nouveaux programmes d'usine depuis le site web du fabricant.

L'instrument apparaît comme lecteur USB sur l'ordinateur. Ouvrez le dossier.


3. Copiez le fichier d'exportation depuis le lecteur vers l'ordinateur ou copiez le fichier d'importation depuis l'ordinateur vers le lecteur.
4. Appuyez sur **OK**.
5. À l'achèvement du transfert, sélectionnez **Déconnecter USB** et déconnectez le câble USB.
6. Appuyez sur **OK**.

Exportation du journal des données



Le journal d'événements et le journal des données peuvent être exportés vers l'ordinateur. Le journal d'événements contient la date, l'heure, le numéro d'événement, le paramètre et la description d'une action associée à la configuration. Les mesures d'échantillon sont stockées manuellement ou automatiquement dans le journal des données. Voir [Sélection des options de programme avancées](#) à la page 26.


1. Allumez l'instrument et connectez le câble USB à l'instrument et à l'ordinateur.
Les invites du menu principal USB.
2. Sélectionnez **Exporter journal**.
L'instrument apparaît comme lecteur USB sur l'ordinateur. Ouvrez le dossier.
3. Copiez et enregistrez les fichiers d'exportation (DR900_DataLog.csv et DR900_EventLog.csv) sur l'ordinateur.
4. Appuyez sur **OK**.
5. Après copie des fichiers sur l'ordinateur, sélectionnez **Déconnecter USB** et déconnectez le câble USB.
6. Appuyez sur **OK**.

Maintenance

⚠ AVERTISSEMENT	
	Dangers multiples. Seul le personnel qualifié doit effectuer les tâches détaillées dans cette section du document.

Nettoyage des cuves d'échantillon

⚠ ATTENTION	
	Risque d'exposition chimique. Respectez les procédures de sécurité du laboratoire et portez tous les équipements de protection personnelle adaptés aux produits chimiques que vous manipulez. Consultez les fiches de données de sécurité (MSDS/SDS) à jour pour connaître les protocoles de sécurité applicables.
	

⚠ ATTENTION	
	Risque d'exposition chimique. Mettez au rebut les substances chimiques et les déchets conformément aux réglementations locales, régionales et nationales.

La plupart des détergents de la laboratoires s'utilisent aux concentrations recommandées. Les détergents neutres, par exemple le Liquinox, sont plus sûrs quand un nettoyage régulier est nécessaire. Pour réduire le temps de nettoyage, augmentez la température ou utilisez un bain à ultrasons. Pour terminer le nettoyage, rincez plusieurs fois à l'eau déionisée, puis laissez sécher la cuve à échantillon à l'air. Les cuves à échantillon peuvent également être nettoyées à l'acide, avant d'être rincées soigneusement à l'eau déionisée.

Remarque : *Toujours utiliser de l'acide pour nettoyer les cuves à échantillon destinées aux essais de basse teneur en métaux.*

Des méthodes de nettoyage spécifiques sont nécessaires pour certaines procédures. En cas d'utilisation d'une brosse pour nettoyer les cuves à échantillon, veillez à ne pas rayer la surface intérieure des cuves.

Remplacement des piles

⚠ AVERTISSEMENT	
	Risque d'explosion Les piles vides peuvent entraîner l'accumulation d'hydrogène dans l'appareil. Remplacez les piles avant qu'elles ne soient vides et ne stockez pas l'appareil de façon prolongée sans retirer les piles.

⚠ AVERTISSEMENT



Risque d'incendie. La substitution du type de pile n'est pas autorisée. Utilisez uniquement des piles alcalines.

AVIS

Assurez-vous de bien serrer les vis de 1 à 1,4 Nm (de 9 à 12 po lb) afin de garantir un bon maintien et de préserver l'indice de protection.

Consultez [Installation des piles](#) à la page 22 pour le remplacement de la pile.

Dépannage

Code d'erreur	Cause possible	Solution
1	L'instrument n'est pas configuré.	Contactez le support technique.
2	Impossible de lire les données de programme	
3	Impossible d'écrire les données de programme	
4	Erreur de piles	Remplacement des piles.
5	Erreur A/N pendant une mesure	Contactez le support technique.
6	Erreur de décalage pendant une mesure	Assurez-vous que le capuchon de l'instrument est installé correctement.

Code d'erreur	Cause possible	Solution
7	Erreur de manque de lumière pendant une mesure	<ul style="list-style-type: none">Assurez-vous qu'il n'y a pas d'obstacle sur le trajet optique.Zéro hors de la gamme de l'instrumentContactez le support technique.
8	Erreur de dépassement de gamme pendant une mesure, obstacle potentiel sur le chemin optique ou concentration trop élevée.	<ul style="list-style-type: none">Vérifiez l'absence d'obstacle sur le chemin optique et vérifiez que la concentration n'est pas trop élevée pour le programme.Assurez-vous que le capuchon de l'instrument est installé correctement.Contactez le support technique.

Pièces de rechange et accessoires

⚠ AVERTISSEMENT



Risque de blessures corporelles. L'utilisation de pièces non approuvées comporte un risque de blessure, d'endommagement de l'appareil ou de panne d'équipement. Les pièces de rechange de cette section sont approuvées par le fabricant.

Remarque : Les numéros de référence de produit et d'article peuvent dépendre des régions de commercialisation. Prenez contact avec le distributeur approprié ou consultez le site web de la société pour connaître les personnes à contacter.

Pièces de rechange

Description	Article n°
Assemblage d'adaptateur, COD	4846400
Jeu de piles, piles alcalines AA (4x)	1938004
Cuve à échantillon avec capuchon, 25 x 95 mm, 10-20-25 mL (6x)	2401906

Pièces de rechange (suite)

Description	Article n°
Cuve à échantillon avec capuchon, 1 cm/10 mL (2x)	4864302
Câble USB	LZV818

Accessoires

Description	Article n°
Capuchon, cuve à échantillon, pour cuve 25 x 95 mL	2401812
Sacoche de transport, côtés rigides	4942500
Sacoche de transport, côtés souples avec sangle d'épaule	2722000
Sacoche de transport, laboratoire portable	4943000
Normes d'absorbance DR/Check™	2763900
Capuchon de l'instrument, DR 900	9390500

Índice de contenidos

[Especificaciones](#) en la página 34

[Información general](#) en la página 34

[Instalación](#) en la página 37

[Interfaz del usuario y navegación](#)
en la página 39

[Puesta en marcha](#) en la página 40

[Funcionamiento estándar](#)
en la página 41

[Funcionamiento avanzado](#)
en la página 43

[Mantenimiento](#) en la página 47

[Solución de problemas](#)
en la página 47

[Piezas de repuesto y accesorios](#)
en la página 48

Especificaciones

Las especificaciones están sujetas a cambios sin previo aviso.

Especificación	Detalles
Configurar el modo medición	Transmitancia (%), absorbancia (Abs) y concentración (Conc)
Dimensiones (An x Pr x Al)	23,6 x 8,7 x 4,7 cm (9,3 x 3,4 x 1,9 pulg.)
Grado de protección	IP67
Peso	0,6 kg (1,3 lb)
Requisitos de alimentación (interna)	Pilas alcalinas AA (4)
Duración de la batería	6 meses (normal) a 5 mediciones por día por 5 días a la semana sin retroiluminación
Interfaz	Mini USB
Temperatura de funcionamiento	0° a 50 °C (32° a 122 °F), a 90% de humedad relativa, sin condensación
Temperatura de almacenamiento	-30° a 60 °C (-22° a 140 °F), a 90% de humedad relativa, sin condensación
Fuente de luz	Diodo de emisión de luz (LED)

Especificación	Detalles
Detector	Fotodiodo de silicona
Rango de longitud de onda	420, 520, 560, 610 nm
Rango de meda fotométrico	0–2 Abs
Precisión de longitud de onda	±1 nm
Precisión fotométrica	±0,005 Abs a 1,0 Abs nominal
Linealidad fotométrica	±0,002 Abs (0–1 Abs)
Selección de longitud de onda	Automática, basada en el método de selección
Repetibilidad fotométrica	±0,002 Abs (0–1 Abs)
Lectura de datos	Descripción de la pantalla, 240 x 160 píxel (retroiluminada)
Cubetas de muestras	16 mm, 1 cm/10 mL, 1 pulgada (25 mm) de circunferencia
Clase de protección	Clase III
Certificaciones	Certificación CE
Garantía	1 año

Información general

En ningún caso el fabricante será responsable de ningún daño directo, indirecto, especial, accidental o resultante de un defecto u omisión en este manual. El fabricante se reserva el derecho a modificar este manual y los productos que describen en cualquier momento, sin aviso ni obligación. Las ediciones revisadas se encuentran en la página web del fabricante.

Información de seguridad

AVISO

El fabricante no es responsable de ningún daño debido a un mal uso de este producto incluyendo, sin limitación, daños directos, fortuitos o circunstanciales y reclamos sobre los daños que no estén recogidos en la legislación vigente. El usuario es el responsable de la identificación de los riesgos críticos y de tener los mecanismos adecuados de protección de los procesos en caso de un posible mal funcionamiento del equipo.

Lea todo el manual antes de desembalar, instalar o trabajar con este equipo. Ponga atención a todas las advertencias y avisos de peligro. El no hacerlo puede provocar heridas graves al usuario o daños al equipo.

Asegúrese de que la protección proporcionada por el equipo no está dañada. No utilice ni instale este equipo de manera distinta a lo especificado en este manual.

Uso de la información sobre riesgos

▲ PELIGRO

Indica una situación potencial o de riesgo inminente que, de no evitarse, provocará la muerte o lesiones graves.

▲ ADVERTENCIA

Indica una situación potencial o inminentemente peligrosa que, de no evitarse, podría provocar la muerte o lesiones graves.

▲ PRECAUCIÓN

Indica una situación potencialmente peligrosa que podría provocar una lesión menor o moderada.







AVISO

Indica una situación que, si no se evita, puede provocar daños en el instrumento. Información que requiere especial énfasis.

Etiquetas de precaución

Lea todas las etiquetas y rótulos adheridos al instrumento. En caso contrario, podrían producirse heridas personales o daños en el

instrumento. Cada símbolo que aparezca en el instrumento se comentará en el manual con una indicación de precaución.

	Este símbolo (en caso de estar colocado en el equipo) hace referencia a las instrucciones de uso o a la información de seguridad del manual.
	Este símbolo indica que existe riesgo de explosión.
	Este símbolo indica que hay riesgo de incendio.
	Este símbolo identifica un peligro químico e indica que el trabajo se debe ejecutar exclusivamente por personal cualificado y entrenados en el manejo de productos químicos, el cual debe realizar también los trabajos de mantenimiento en el sistema de alimentación de productos químicos asociado con este equipo.
	Este símbolo indica la necesidad de usar protectores para ojos.
	El equipo eléctrico marcado con este símbolo no se podrá desechar por medio de los sistemas europeos públicos de eliminación después del 12 de agosto de 2005. De acuerdo con las regulaciones locales y nacionales europeas (Directiva UE 2002/96/EC), ahora los usuarios de equipos eléctricos en Europa deben devolver los equipos viejos o que hayan alcanzado el término de su vida útil al fabricante para su eliminación sin cargo para el usuario. <i>Nota:</i> Para devolver equipos para su reciclaje, póngase en contacto con el fabricante o distribuidor para así obtener instrucciones acerca de cómo devolverlos y desecharlos correctamente. Esto es aplicable a equipos que hayan alcanzado el término de su vida útil, accesorios eléctricos suministrados por el fabricante o distribuidor y todo elemento auxiliar.

Certificación

Reglamentación canadiense sobre equipos que provocan interferencia, IECS-003, Clase A

Registros de pruebas de control del fabricante.

Este aparato digital de clase A cumple con todos los requerimientos de las reglamentaciones canadienses para equipos que producen interferencias.

Cet appareil numérique de classe A répond à toutes les exigences de la réglementation canadienne sur les équipements provoquant des interférences.

FCC Parte 15, Límites Clase "A"

Registros de pruebas de control del fabricante. Este dispositivo cumple con la Parte 15 de las normas de la FCC estadounidense. Su operación está sujeta a las siguientes dos condiciones:

1. El equipo no puede causar interferencias perjudiciales.
2. Este equipo debe aceptar cualquier interferencia recibida, incluyendo las interferencias que pueden causar un funcionamiento no deseado.

Los cambios o modificaciones a este equipo que no hayan sido aprobados por la parte responsable podrían anular el permiso del usuario para operar el equipo. Este equipo ha sido probado y encontrado que cumple con los límites para un dispositivo digital Clase A, de acuerdo con la Parte 15 de las Reglas FCC. Estos límites están diseñados para proporcionar una protección razonable contra las interferencias perjudiciales cuando el equipo está operando en un entorno comercial. Este equipo genera, utiliza y puede irradiar energía de radio frecuencia, y si no es instalado y utilizado de acuerdo con el manual de instrucciones, puede causar una interferencia dañina a las radio comunicaciones. La operación de este equipo en un área residencial es probable que produzca interferencia dañina, en cuyo caso el usuario será requerido para corregir la interferencia bajo su propio cargo. Pueden utilizarse las siguientes técnicas para reducir los problemas de interferencia:

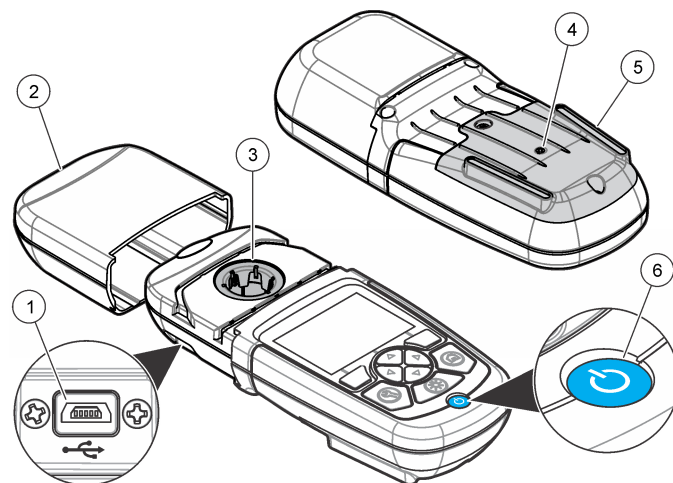
1. Desconecte el equipo de su fuente de alimentación para verificar si éste es o no la fuente de la interferencia.
2. Si el equipo está conectado a la misma toma eléctrica que el dispositivo que experimenta la interferencia, conecte el equipo a otra toma eléctrica.
3. Aleje el equipo del dispositivo que está recibiendo la interferencia.

4. Cambie la posición de la antena del dispositivo que recibe la interferencia.
5. Trate combinaciones de las opciones descritas.

Generalidades del producto

El DR 900 es un colorímetro portátil con fuente LED que mide a longitudes de onda de 420, 520, 560 y 610 nm. El instrumento se usa para medir varios parámetros del agua potable, el agua residual y las aplicaciones industriales. El instrumento viene con un conjunto completo de programas almacenados (métodos pre-instalados) y disponibilidad del programa de usuario y selección de programa favorito. Consulte la [Figura 1](#).

Figura 1 Instrumento

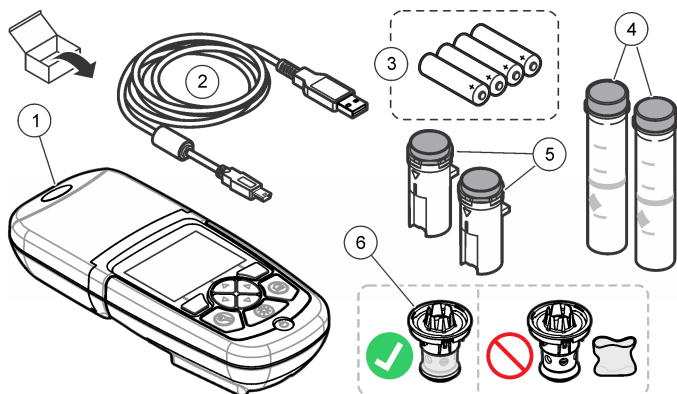


1 Puerto USB	4 Ventilación
2 Tapa del instrumento	5 Compartimento de las baterías
3 Compartimento de cubetas	6 Tecla de encendido

Componentes del producto

Asegúrese de haber recibido todos los componentes. Consulte la [Figura 2](#). Si faltan artículos o están dañados, póngase en contacto con el proveedor o el representante de ventas inmediatamente.

Figura 2 Componentes del producto



1 DR 900	4 Cubeta de muestra de vidrio con 1 pulgada (25 mm) de circunferencia y marcas de 10, 20, 25-mL (2)
2 Cable USB con mini conector USB	5 Cubeta de muestra de 1 cm/10 mL (2)
3 Pilas alcalinas AA (4)	6 Adaptador de cubeta de muestra

Instalación

⚠ ADVERTENCIA



Peligros diversos. Sólo el personal cualificado debe realizar las tareas descritas en esta sección del documento.

AVISO

Asegúrese de no provocar un bloqueo de la ventilación de la batería del instrumento durante el uso o almacenamiento.

Instalar las baterías

⚠ ADVERTENCIA



Peligro de explosión. Si las pilas no están colocadas correctamente, se puede producir la liberación de gases explosivos. Asegúrese de que las pilas son del mismo tipo y material químico aprobado y están insertadas en el sentido correcto. No mezcle pilas nuevas y usadas.

⚠ ADVERTENCIA



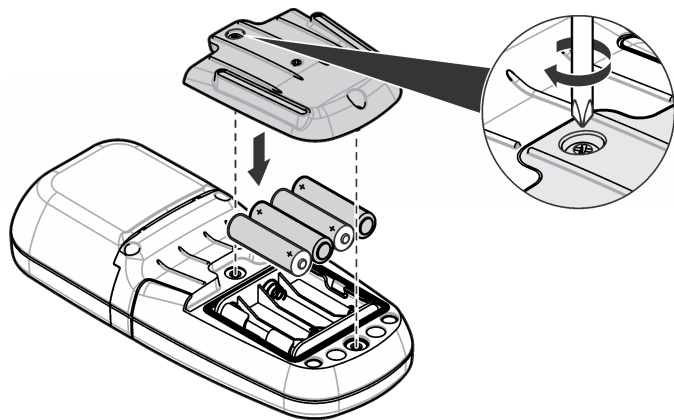
Peligro de incendio. No se permite la sustitución de la batería. Utilice solamente baterías alcalinas.

AVISO

Asegúrese de apretar los tornillos a 1–1,4 N·m (9–12 in.·lb) para obtener un correcto ajuste de sellado y mantener la clasificación ambiental de la carcasa.

El instrumento utiliza cuatro pilas alcalinas AA. Asegúrese de que las pilas se coloquen con la orientación correcta. Consulte la [Figura 3](#) para ver la instalación de las pilas.

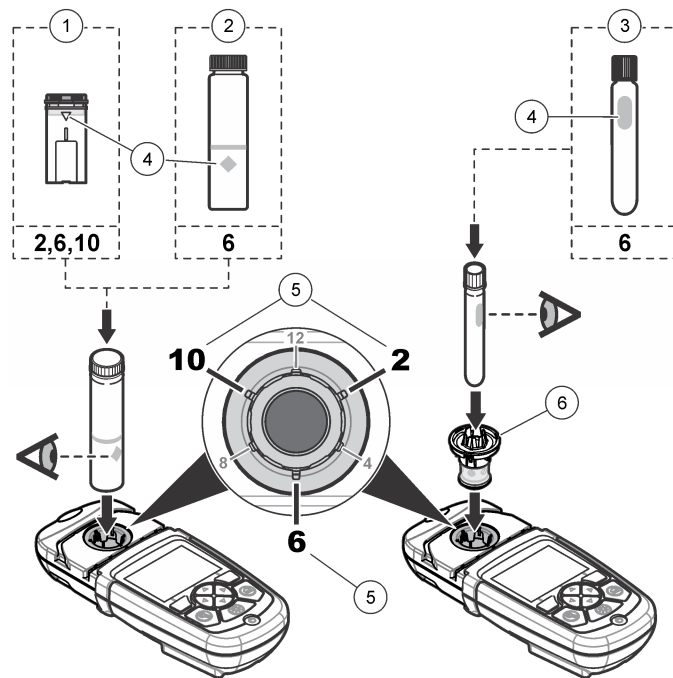
Figura 3 Instalación de las pilas



Instalar la cubeta de la muestra y el adaptador de cubeta

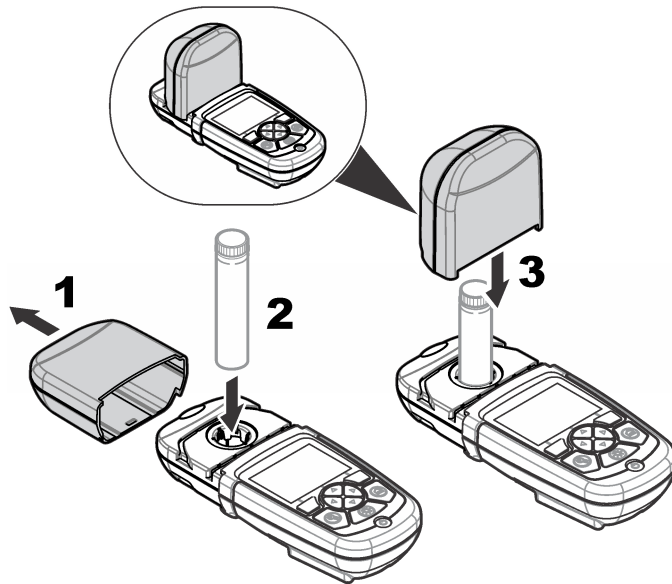
El instrumento tiene un compartimento de cubeta que puede usar un adaptador para diferentes tipos de cubeta de muestra. Asegúrese de colocar la cubeta de muestra en la orientación correcta y consistente para que los resultados sean aceptables y precisos. Consulte la [Figura 4](#). Cierre la tapa del instrumento antes de configurar el instrumento a cero o de realizar una medición para evitar interferencias de luz. Consulte la [Figura 5](#).

Figura 4 Orientación de la cubeta de muestra



1 Cubeta de muestra de plástico de 1-cm/10-mL	4 Marca de orientación
2 Cubeta de muestra de vidrio de 1 pulgada (25 mm)	5 Posición de orientación (sentido de las agujas del reloj)
3 Vial de prueba de vidrio de 16-mm	6 Adaptador de cubeta de muestra

Figura 5 Instalación de la cubeta de muestra y la tapa del instrumento

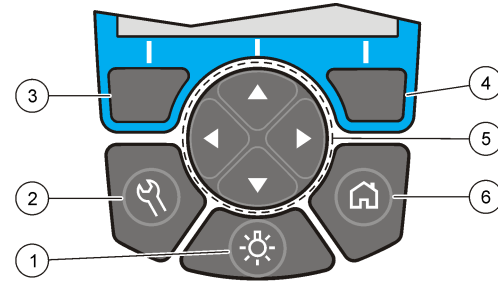


Interfaz del usuario y navegación

Descripción del teclado

Consulte la [Figura 6](#) para ver una descripción y del teclado e información de navegación.

Figura 6 Descripción del teclado



1 RETROILUMINACIÓN: configurar la iluminación de pantalla para que se encienda y se apague	4 Tecla de selección DERECHA (contextual): lee muestras, selecciona o confirma opciones, abre sub-menús
2 CONFIGURACIÓN: opciones de configuración ¹	5 Teclas de navegación hacia ARRIBA, ABAJO, IZQUIERDA, DERECHA: se desplaza en los menús, ingresa números y letras ²
3 Tecla de selección IZQUIERDA (contextual): accede a opciones, cancela o sale de la pantalla del menú actual para ir al anterior	6 INICIO/Opciones: se dirige a la pantalla de meda principal ¹ , programa de selección, administración de datos

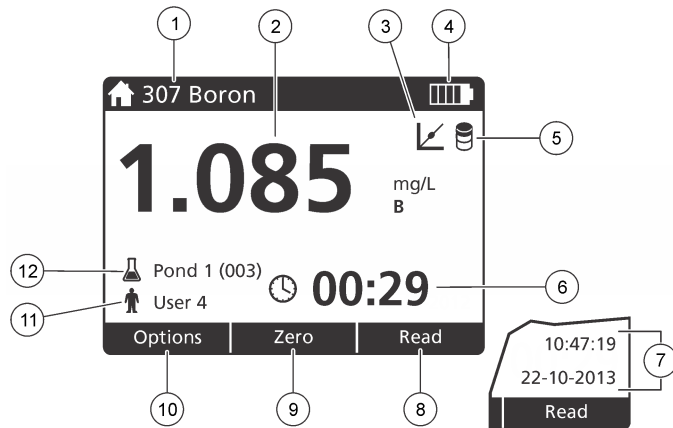
¹ Mientras está en el modo edición, la tecla no funciona.

² Cuando se presiona una tecla hacia ARRIBA o ABAJO, se desplaza más rápido. Cuando se presiona una tecla IZQUIERDA o DERECHA, se desplaza por página.

Descripción de la pantalla

La pantalla de meda muestra el modo seleccionado, la unidad, la fecha y la hora, ID de operador y ID de muestra. Consulte la [Figura 7](#).

Figura 7 Pantalla única



1 Nombre y número del programa	7 Hora y fecha
2 Valor de lectura, unidad, forma química, rango de medición inferior "----" o superior "+++"	8 Medición (contextual: hecha, seleccionar, comenzar, aceptar)
3 Ícono de ajuste estándar	9 Cero (contextual: la tecla de navegación es la flecha hacia arriba)
4 Estado de la batería	10 Opciones (contextual: volver, cancelar)
5 Ícono del blanco reactivo	11 Identificación del usuario
6 Temporizador	12 Identificación de la muestra

Navegación

El instrumento contiene menús para cambiar varias opciones. Use las teclas de navegación (flechas hacia **ARRIBA**, **ABAJO**, **DERECHA** e **IZQUIERDA**) para resaltar diferentes opciones. Pulse la tecla de selección **DERECHA** para seleccionar una opción. Ingrese un valor con

las teclas de navegación. Pulse las teclas de navegación (flechas hacia **ARRIBA**, **ABAJO**, **DERECHA** e **IZQUIERDA**) para ingresar o cambiar un valor. Pulse la flecha **DERECHA** para avanzar al siguiente espacio. Pulse la tecla de selección **DERECHA** en **Listo** para aceptar el valor. Pulse la tecla de selección **IZQUIERDA** para salir de la pantalla del menú actual y volver al anterior.

Puesta en marcha

Configure el instrumento en encendido o apagado

Pulse la tecla de **ENCENDIDO** para configurar el instrumento en encendido o apagado. Si el instrumento no se enciende, asegúrese de que las pilas se han instalado correctamente.

Configurar el lenguaje

Existen tres opciones para establecer el lenguaje:

- Configurar el lenguaje de la pantalla cuando el instrumento se enciende por primera vez.
- Configurar el lenguaje desde el menú CONFIGURACIÓN.

1. Pulsar **CONFIGURACIÓN**>**Configuración**>**Lenguaje**.
2. Seleccione un lenguaje de la lista.

Ajuste la fecha y la hora

Hay dos opciones para configurar fecha y hora:

- Configurar fecha y hora cuando el instrumento se enciende por primera vez.
 - Configurar fecha y hora desde el menú Fecha y Hora.
1. Pulse **CONFIGURACIÓN**>**Configuración**>**Fecha y Hora**.
 2. Pulse **Formato de fecha** y seleccione el formato para fecha y hora.
 3. Pulse **Fecha y Hora**.
 4. Use las teclas de navegación para ingresar fecha y hora actual, luego pulse **Listo**.

Funcionamiento estándar

Lista de programas

El instrumento se envía con una serie completa de programas de aplicación. Consulte [Tabla 1](#) para obtener descripciones de los programas.

Tabla 1 Opciones de programa

Opción de programa	Descripción
Programas guardados	Los programas guardados son métodos pre-programados instalados de fábrica. Consulte la Seleccione un programa guardado en la página 41.
Programas de usuario	Los métodos se pueden desarrollar y almacenar como programa de usuario. ¹ Consulte la Programas de usuario en la página 44.
Favoritos	Los métodos que se usan con frecuencia se pueden almacenar en la lista de favoritos. ¹

¹ Se puede guardar un máximo de diez métodos (programas de usuario y/o favoritos).

Seleccione un programa guardado.

1. Pulse **INICIO>Opciones>Todos los programas**.
2. Seleccione el método aplicable y pulse **Iniciar**.
3. Seleccione **Opciones>Añadir a favoritos** para agregar el método seleccionado a favoritos para acceder más fácilmente.

Seleccionar opciones básicas de programa

Cuando se selecciona un programa, habrá disponible opciones de parámetro adicionales.

1. Pulse **Opciones** para acceder al menú de opción.

2. Seleccione las opciones aplicables.

Opción	Descripción
Iniciar temporizador	Seleccione un temporizador pre-configurado o configure un temporizador manual para asegurarse de que los pasos del análisis están correctamente temporizados (por ejemplo, los tiempos de reacción o de espera se puede especificar exactamente). Cuando el temporizador está encendido, el ícono del temporizador se muestra en la pantalla. El instrumento hace un sonido cuando el tiempo se acaba. Temporizador pre-configurado —Seleccione el temporizador pre-establecido aplicable para ver uno o más pasos de procedimiento almacenados y pulse Iniciar . Temporizador manual —Ingrese el tiempo aplicable con las teclas de navegación y pulse Listo . Predeterminado = 00:00
Programas favoritos/de usuario	Seleccione de la lista de programas favoritos o de usuario guardados. Consulte Seleccione un programa favorito o de usuario en la página 43 para obtener más información.
Todos los programas	Seleccione un método pre-programado de la lista.
Registro de datos	Muestra todas las medas guardadas. Consulte Registro de datos en la página 43 para obtener más información.
Añadir a favoritos	Guarde los programas almacenados y de usuario que se usan con frecuencia en la lista de favoritos. Consulte la Agregar un programa a favoritos en la página 44.
%T/Abs/Conc	Cambia a medas de % de transmitancia, absorción o concentración. Medas de transmitancia (%) —Me el porcentaje de luz original que atraviesa la muestra y alcanza el detector. Medas de absorbancia — La luz absorba por la muestra se me en unidades de absorbancia. Medas de concentración —Los valores de absorbancia medos se convierten en valores de concentración con ecuación almacenada específica del programa.

Opción	Descripción
Opciones avanzadas	Utilice opciones avanzadas para especificar más parámetros. Consulte la Selección de las opciones de programa en la página 42.
Guardar	Almacena la última medición manual cuando la opción de almacenamiento automático está configurada en apagado.

Selección de las opciones de programa.

Cada programa tiene diversas opciones avanzadas adicionales de las cuales se puede elegir.

1. Pulse **Opciones** para acceder a **Opciones>Opciones avanzadas**.
2. Utilice opciones avanzadas para especificar más parámetros.

Opción	Descripción
Guardar automáticamente	Alternar entre encendido y apagado. Cada meda se guarda automáticamente cuando la opción se configura en encendido. La meda se puede guardar manualmente cuando la opción se configura en apagado.
Forma química	Seleccione la forma química alternativa y el rango de medición asociado en algún método instalado de fábrica.
Blanco reactivo	Blanco reactivo Ingrese el resultado de una prueba finalizada usando agua desionizada como muestra. El valor del blanco se sustrae de cada resultado para corregir cualquier el color de fondo de los reactivos. Ingrese la corrección del blanco antes de usar la opción Ajuste estándar. Finalice esta corrección en cada lote nuevo de reactivos de prueba.

Opción	Descripción
Ajuste estándar	Cambiar la calibración guardada. Finalizar una prueba con un estándar conocido a una concentración cerca del rango de prueba superior. Use esta función para ajustar el resultado y alinear la concentración estándar.
Clasificar programa	Seleccione un orden alfabético o numérico para la lista de almacenamiento de programas.

Usar una ID de operador

La etiqueta de ID de operador asocia mediciones con un usuario individual. Todos los datos almacenados incluirán esta ID.

1. Pulse **CONFIGURACIÓN>ID de operador** en la pantalla de medición.
2. Seleccione, cree o borre una ID de operador:

Opción	Descripción
actual	Seleccione una de una lista. La ID actual se asociará con los datos de la muestra hasta que se seleccione una ID diferente.
Crear ID nueva	Introducir un nombre para una ID de operador nueva. Se puede usar un máximo de 10 nombres.
Eliminar ID	Eliminar ID de operador existente.

Usar una de muestra

La etiqueta de muestra se usa para asociar mediciones con muestras o ubicaciones en particular. Si se asocian, los datos guardados incluirán esta .

1. Pulse **CONFIGURACIÓN>ID de muestra** en la pantalla de medición.
2. Seleccione, cree o borre una ID de operador:

Opción	Descripción
actual	Seleccione una de una lista. La actual se asociará con los datos de la muestra hasta que se seleccione una diferente.
Crear nueva	Introducir un nombre para una de muestra nueva Se puede usar un máximo de 10 nombres. Las muestras están enumeradas en secuencia para cada medición hasta que se selecciona una diferente (como Pond 1, Pond 2).
Eliminar ID	Eliminar ID de muestra existente.

Cómo hacer una medición

Los pasos de medición básicos son necesarios para completar una medición. Cada método tiene un procedimiento paso a paso. Consulte el método aplicable para llevar a cabo una prueba específica. El ejemplo a continuación es un procedimiento básico para completar una medición.

1. Seleccione el programa aplicable del menú de programas (como programas guardados, programas de usuario, programas favoritos).
2. Instale el adaptador de cubeta, si es necesario.
3. Pulse **Inicio** para iniciar el programa.
4. Prepare el blanco según el documento del método. Cierre la cubeta de la muestra y limpie las ópticas con un paño libre de pelusas.
5. Coloque la cubeta del blanco de muestra dentro del compartimento de cubetas. Asegúrese de colocar la cubeta del blanco de muestra en la orientación correcta y consistente para que los resultados sean aceptables y precisos. Consulte la [Figura 4](#) en la página 38.
6. Cierre la tapa del instrumento para evitar interferencias de luz. Consulte la [Figura 5](#) en la página 39.
7. Pulse **Cero**. La pantalla muestra una concentración de cero (como mg/L, ABS, µg/L).
8. Prepare la muestra. Agregue los reactivos como se especifica en el documento del método.

9. Seleccione **Opciones>Iniciar temporizador** para usar los temporizadores almacenados dentro del programa.
10. Cierre la cubeta de la muestra y limpie las superficies de las ópticas con un paño libre de pelusas.
11. Coloque la muestra dentro del compartimento de cubetas. Asegúrese de colocar la cubeta de la muestra en la orientación correcta y consistente para que los resultados sean aceptables y precisos. Consulte la [Figura 4](#) en la página 38.
12. Cierre la tapa del instrumento para evitar interferencias de luz. Consulte la [Figura 5](#) en la página 39.
13. Pulse **Leer**. La pantalla muestra los resultados en las unidades seleccionadas.
Nota: En la pantalla se muestra "+++" o "---" si la medición de absorbencia es inferior o superior al rango de calibración de la prueba.

Registro de datos

El registro de datos muestra todas las medidas guardadas. Pulse **INICIO>Opciones>Registro de datos** para ver las medidas. Consulte [Exportar el registro de datos](#) en la página 46 para obtener información acerca de la exportación de registro de datos.

Funcionamiento avanzado

Seleccione un programa favorito o de usuario

La base de datos del programa favorito o de usuario está vacía cuando se inicia por primera vez el instrumento. Se puede almacenar un método en los favoritos para acceder más fácilmente. Se puede programar un programa de usuario para necesidades específicas.

1. Pulse **INICIO>Opciones>Fav./Prog. de usuario>Seleccionar**.
2. Pulse **Programa nuevo** para hacer un programa nuevo. Consulte la [Programas de usuario](#) en la página 44.

Agregar un programa a favoritos

Los métodos de programas almacenados y de programas de usuario, que se usan con frecuencia, se pueden guardar en la lista de favoritos.

1. Seleccione **INICIO>Opciones>Todos los programas**.
2. Seleccione el método aplicable y pulse **Iniciar**.
3. Seleccione **Opciones>Añadir a favoritos** para agregar el método seleccionado a favoritos.

Programas de usuario

La base de datos de los programas de usuario está vacía cuando se inicia por primera vez el instrumento. Use **Programa nuevo** para hacer programas nuevos según sus necesidades. Para hacer un programa de usuario nuevo, siga los siguientes pasos.

1. Pulse **INICIO>Opciones>Fav./Prog. de usuario>Seleccionar>Programa nuevo**.
2. Seleccione un número de programa disponible del 1001 al 1010.
Nota: Se puede guardar un máximo de diez programas (programas de usuario y/o favoritos).
3. Ingrese un nombre de método (hasta 12 caracteres).
4. Seleccione la longitud de onda: 420, 520, 560 o 610 nm.
5. Seleccione la unidad: ninguna, $\mu\text{g/L}$, mg/L o g/L .
6. Seleccione la resolución: 0000, 000.0, 00.00 ó 0.000.
7. Agregue los puntos de calibración: un mínimo de 2 y un máximo de 12 puntos de calibración.* Seleccione **Editar estándar 1** e ingrese el primer valor de concentración estándar. Pulse **Listo**.
Nota: Un pip significa que la concentración es una duplicación de una estándar ingresada previamente o la concentración es muy alta para la resolución seleccionada. Ingresar un valor diferente y continuar.

8. Ingresar el valor de absorbancia:

Opción	Descripción
Editar ABS manual	Usar las teclas de navegación para ingresar el valor de absorbancia manualmente.
Editar ABS automático	<ol style="list-style-type: none">1. Coloque el blanco en el compartimiento de cubetas y pulse Cero.2. Coloque la muestra preparada en el compartimiento de cubetas y pulse Leer.3. Pulse Listo.

Nota: Un pip significa que la absorbancia es un duplicado de una estándar ingresada anteriormente o que está dentro de dos estándar anteriores. Ingresar un valor diferente y continuar.

9. Pulse **Listo**.
10. Seleccione **Agregar punto de cal**.
11. Ingrese puntos de calibración adicionales como se describe en los pasos del 7 al 9.
12. Seleccione **Guardar programa de usuario**.

Editar programa del usuario

Para editar un programa almacenado:

1. Seleccione **INICIO>Fav./Prog. de usuario**.
2. Seleccione el programa aplicable y pulse **Opciones**.
3. Pulse **Editar**.
4. Siga los mensajes en pantalla para editar el procedimiento.

* Si la curva es lineal, se necesitan sólo dos puntos de dato de concentración (por ejemplo, un estándar con absorbancia cero y otra estándar conocido). Use puntos de dato adicionales para confirmar la linealidad o definir una curva no lineal.

Eliminar un programa favorito o de usuario

Puede eliminar un programa favorito o de usuario almacenado si ya no se utiliza.

1. Seleccione **INICIO>Opciones>Fav./Prog. de usuario**.
2. Marque el programa aplicable y pulse **Opciones>Eliminar** y siga los mensajes de la pantalla.

Inf. del instrumento

El menú de inf. del instrumento muestra información específica como nombre del instrumento, número de serie, versión del software, versión de la base de datos, memoria usada y disponibilidad del programa. Pulse **CONFIGURACIÓN>Configuración>Inf. del instrumento**.

Configurar contraseña

Las opciones de conf. de contraseña se usan para evitar acceso restringido a los menús.

Nota: Si olvida la contraseña especificada y están activadas las Opciones de seguridad, el usuario tendrá bloqueados los menús restringidos. Si pierde la contraseña, póngase en contacto con la asistencia técnica.

1. Pulse **CONFIGURACIÓN>Configuración>Conf. de contraseña**.
2. Seleccione una opción.

Opción	Descripción
Conf. de contraseña	Seleccione encender o apagar para configurar la protección de contraseñas.
Elementos protegidos	Muestra la lista de elementos protegidos: editar ID de operador, editar ID de muestra, editar programas de usuario, fecha y hora, actualizar firmware, actualizar métodos, lenguaje y editar lista de favoritos.

Configurar la pantalla y el sonido

Use las op. de presentación para cambiar el contraste, las opciones de apagado automático de la batería o la opción de retroiluminación. Use las opciones de sonido para escuchar las teclas al ser pulsadas o cuando la medición ha finalizado.

1. Pulse **CONFIGURACIÓN>Configuración>Pantalla y sonido>Op. de presentación**.
2. Seleccione una opción.

Opción	Descripción
Contraste	Ajustar el contraste de la pantalla. La configuración más clara es 0 y la más oscura 9. Predeterminado: 5
Apagado automático	Para maximizar la duración de la batería, configure el período de tiempo después del cual el instrumento se apagará automáticamente si no se está pulsando ninguna tecla (5, 10, 15, 20, 30 minutos, 1 hora, 2 horas o deshabilitar). Predeterminado: 10 minutos
Retroiluminación	La retroiluminación de la pantalla se enciende cuando se pulsa RETROILUMINACIÓN . Configure un período de tiempo después del cual la retroiluminación se apagará automáticamente si no se está pulsando ninguna tecla (10, 20, 30 segundos, 1, 2, 5, 10 minutos o deshabilitar). Predeterminado: 1 minuto

3. Pulse **CONFIGURACIÓN>Configuración>Pantalla y sonido>Sonidos**.
4. Seleccione una opción.

Opción	Descripción
Teclado	El instrumento emitirá un sonido cuando se pulse una tecla. Predeterminado: apagado
Medición completa	El instrumento emitirá un sonido cuando la medición haya finalizado. Predeterminado: encendido

Menú principal del USB

Cuando el instrumento está conectado con un cable USB a un ordenador, el menú principal del USB se abre. Actualizar el software, exportar o importar programas o exportar el registro de datos y el registro de casos del menú principal del USB.

Actualizar el firmware

Encontrará el archivo de actualización del firmware en el sitio Web del producto o comunicándose con el proveedor del instrumento. Guarde el archivo del sitio Web en el ordenador.

1. Configure el instrumento para activar y conectar el cable USB al instrumento y al ordenador.
Aparecerá el menú principal del USB.
2. Seleccione **Actualizar DR900**.
En el ordenador, el se instrumento se muestra como una unidad USB. Abra la carpeta.
3. Copie el archivo DR900.bin en la carpeta abierta.
4. Pulse **Aceptar**.
5. Cuando la actualización esté hecha, pulse **Aceptar**.
6. Seleccione **Desconectar USB**, pulse **Aceptar** y desconecte el cable USB.
7. Pulse **Aceptar**.
8. Reinicie el instrumento.

Manejar programas

Con la función de Manejar programas, los programas de usuario pueden exportarse y/o importarse y se pueden importar programas de fábrica nuevos.

1. Configure el instrumento para activar y conectar el cable USB al instrumento y al ordenador.
Aparecerá el menú principal del USB.
2. Seleccione **Manejar programas** y seleccione una opción:

Opción	Descripción
Exportar programas de usuario	Exportar todos los programas de usuario al ordenador para almacenar o mover los programas de usuario a otro DR 900.

Opción	Descripción
Importar programas de usuario	Reemplace todos los programas de usuario con los programas de usuario de otro DR 900 por medio del ordenador.
Importar los programas de fábrica	Importar programas de fábrica nuevos de los sitios Web del fabricante.

En el ordenador, el instrumento se muestra como una unidad USB. Abra la carpeta.

3. Copie el archivo exportado de la unidad al ordenador o copie el archivo importado del ordenador a la unidad.
4. Pulse **Aceptar**.
5. Cuando la transferencia está hecha, seleccione **Desconectar USB** y desconecte el cable USB.
6. Pulse **Aceptar**.

Exportar el registro de datos

El registro de casos y el registro de datos pueden exportarse al ordenador. El registro de casos contiene la fecha, la hora, el número de caso, el parámetro y la descripción de una acción de configuración relacionada. Las mediciones de la muestra se almacenan manualmente o automáticamente en el registro de datos. Consulte la [Seleccione las opciones de programa](#) en la página 42.

1. Configure el instrumento para activar y conectar el cable USB al instrumento y al ordenador.
Aparecerá el menú principal del USB.
2. Seleccione **Exp. registro de datos**.
En el ordenador, el instrumento se muestra como una unidad USB. Abra la carpeta.
3. Copie y guarde los archivos exportados (DR900_DataLog.csv y DR900_EventLog.csv) al ordenador.
4. Pulse **Aceptar**.
5. Cuando copia los archivos al ordenador, seleccione **Desconectar USB** y desconecte el cable USB.
6. Pulse **Aceptar**.

Mantenimiento

⚠ ADVERTENCIA



Peligros diversos. Sólo el personal cualificado debe realizar las tareas descritas en esta sección del documento.

Limpeza del instrumento

Limpe el exterior del instrumento con un paño húmedo y una solución jabonosa suave y, a continuación, seque el instrumento.

Limpiar las cubetas de muestra

⚠ PRECAUCIÓN



Peligro por exposición a productos químicos. Respete los procedimientos de seguridad del laboratorio y utilice el equipo de protección personal adecuado para las sustancias químicas que vaya a manipular. Consulte los protocolos de seguridad en las hojas de datos de seguridad actuales (MSDS/SDS).



⚠ PRECAUCIÓN



Peligro por exposición a productos químicos. Deshágase de los productos químicos y los residuos de acuerdo con las normativas locales, regionales y nacionales.

La mayoría de los detergentes de laboratorio se usan en concentraciones recomendadas. El uso de los detergentes neutros, como el Liquinox, es más seguro cuando se necesita limpiar regularmente. Para disminuir el tiempo de limpieza, aumente la temperatura o use un baño ultrasónico. Para completar la limpieza, enjuague varias veces con agua desionizada y deje que la cubeta de muestra se seque.

Las cubetas de muestras también se pueden limpiar con ácido después de enjuagar bien con agua desionizada.

Nota: Siempre utilice ácido para limpiar las cubetas de muestras que se hayan utilizado para pruebas de metal de bajo nivel.

Los métodos de limpieza especial son necesarios para procedimientos individuales. Al utilizar un cepillo para limpiar las cubetas de muestras, tenga especial cuidado de no rayar la superficie interior de las mismas.

Cambio de las pilas

⚠ ADVERTENCIA



Peligro de explosión. Las pilas caducadas pueden provocar la acumulación de gas hidrógeno en el interior del instrumento. Sustituya las pilas antes de que caduquen y no guarde el instrumento durante un período prolongado de tiempo con las pilas colocadas.

⚠ ADVERTENCIA



Peligro de incendio. No se permite la sustitución de la batería. Utilice solamente baterías alcalinas.

AVISO

Asegúrese de apretar los tornillos a 1–1,4 N·m (9–12 in.·lb) para obtener un correcto ajuste de sellado y mantener la clasificación ambiental de la carcasa.

Consulte la [Instalar las baterías](#) en la página 37 para ver la sustitución de las pilas.

Solución de problemas

Código de error	Posible causa	Solución
1	El instrumento no está configurado.	Póngase en contacto con la asistencia técnica.
2	No se pueden leer los datos del programa	
3	No se pueden grabar los datos del programa	
4	Error de las pilas	Cambio de las pilas.
5	Error de A/D durante una medición	Póngase en contacto con la asistencia técnica.

Código de error	Posible causa	Solución
6	Error de compensación durante una medición	Asegúrese de que la tapa del instrumento esté colocada correctamente.
7	Error de luz baja durante una medición	<ul style="list-style-type: none"> Asegúrese de que no haya bloqueo de la luz. Cero está fuera del rango del instrumento Póngase en contacto con la asistencia técnica.
8	Fuera de rango durante una medición, potencial bloqueo de iluminación o concentración muy alta	<ul style="list-style-type: none"> Asegúrese de que no hay un bloqueo de iluminación y que la concentración no sea demasiado alta para el programa. Asegúrese de que la tapa del instrumento esté colocada correctamente. Póngase en contacto con la asistencia técnica.

Piezas de repuesto y accesorios

▲ ADVERTENCIA



Peligro de lesión personal. El uso de piezas no aprobadas puede causar lesiones personales, daños al instrumento o un mal funcionamiento del equipo. Las piezas de repuesto que aparecen en esta sección están aprobadas por el fabricante.

Nota: Los números de producto y artículo pueden variar para algunas regiones de venta. Comuníquese con el distribuidor correspondiente o visite el sitio Web de la compañía para obtener la información de contacto.

Piezas de repuesto

Descripción	Referencia
Ensamblaje del adaptador, COD	4846400
Juego de pilas AA alcalinas (4)	1938004
Cubeta de muestra con tapa, 25 x 95 mm, 10-20-25 mL (6)	2401906
Cubeta de muestra con tapa, 1 cm/10 mL (2)	4864302
Cable USB	LZV 818

Accesorios

Descripción	Referencia
Tapa, cubeta de muestra, para cubeta de 25 x 95 mL	2401812
Estuche de transporte con laterales rígidos	4942500
Estuche de transporte con laterales blandos y correa	2722000
Estuche de transporte, portátil de laboratorio	4943000
Estándares de absorbencia DR/Check™	2763900
Tapa del instrumento, DR 900	9390500

Índice

Especificações na página 49	Operação padrão na página 56
Informações gerais na página 49	Operação avançada na página 59
Instalação na página 52	Manutenção na página 62
Interface do usuário e navegação na página 54	Solução de problemas na página 63
Inicialização na página 56	Peças e acessórios de reposição na página 63

Especificações

As especificações estão sujeitas a alterações sem aviso prévio.

Especificação	Detalhes
Modo de medição	Transmitância (%), Absorvância (Abs) e Concentração (Conc)
Dimensões (L x P x A)	23,6 x 8,7 x 4,7 cm (9,3 x 3,4 x 1,9 pol.)
Classificação do compartimento	IP67
Peso	0,6 kg (1,3 lb)
Requisitos de alimentação (interna)	Baterias AA alcalinas (4x)
Vida útil da bateria	6 meses (típico) a 5 leituras por dia/5 dias por semana sem luz de fundo
Interface	USB mini
Temperatura de operação	0 a 50 °C (32 a 122 °F), máximo de 90% de umidade relativa, sem condensação
Temperatura de armazenamento	-30 a 60 °C (-22 a 140 °F), máximo de 90% de umidade relativa, sem condensação
Fonte de emissão	Diodo emissor de luz (LED)
Detector	Fotocélula

Especificação	Detalhes
Intervalo de comprimento de onda	420, 520, 560, 610 nm
Alcance de medição fotométrico	0–2 Abs
Precisão do comprimento de onda	±1 nm
Precisão de fotometria	±0,005 Abs em 1,0 Abs nominal
Linearidade fotométrica	±0,002 Abs (0–1 Abs)
Seleção de comprimento de onda	Automático, baseado na seleção de método
Repetibilidade fotométrica	±0,002 Abs (0–1 Abs)
Leitura de dados	Visor gráfico, 240 x 160 pixels (com luz de fundo)
Cubetas de amostra	16 mm, 1 cm/10 ml, redonda de 1 polegada (25 mm)
Classe de proteção	Classe III
Certificações	Certificação CE
Garantia	1 ano

Informações gerais

Em hipótese alguma o fabricante será responsável por danos diretos, indiretos, especiais, incidentais ou consequenciais resultantes de qualquer defeito ou omissão neste manual. O fabricante reserva-se o direito de fazer alterações neste manual e nos produtos aqui descritos a qualquer momento, sem aviso ou obrigação. As edições revisadas podem ser encontradas no site do fabricante.

Informações de segurança

AVISO

O fabricante não é responsável por quaisquer danos devido ao uso ou aplicação incorreta deste produto, incluindo, sem limitação, danos diretos, acidentais ou consequenciais, e se isenta desses danos à extensão total permitida pela lei aplicável. O usuário é unicamente responsável por identificar riscos críticos de aplicação e por instalar os mecanismos apropriados para proteger os processos durante um possível mau funcionamento do equipamento.

Leia todo o manual antes de tirar da embalagem, montar ou operar esse equipamento. Preste atenção a todas as declarações de perigo e cuidado. Caso contrário, o operador poderá sofrer ferimentos graves ou o equipamento poderá ser danificado.

Certifique-se de que a proteção oferecida por este equipamento não seja afetada. Não use nem instale este equipamento de nenhuma outra forma além da especificada neste manual.

Uso de informações de risco

⚠ PERIGO

Indica uma situação potencial ou iminente perigosa que, se não for evitada, resultará em morte ou lesão grave.

⚠ ADVERTÊNCIA

Indica uma situação potencialmente perigosa que, se não for evitada, pode resultar em morte ou ferimento grave.

⚠ CUIDADO

Indica uma situação potencialmente perigosa que pode resultar em ferimento leve a moderado.






AVISO

Indica uma situação que, se não evitada, pode causar danos ao instrumento. Informações que necessitam de uma ênfase especial.

Avisos de precaução

Leia todas as etiquetas e rótulos fixados no instrumento. Caso não sejam observadas, podem ocorrer lesões pessoais ou danos ao

instrumento. Um símbolo no instrumento tem sua referência no manual com uma medida preventiva.

	Este símbolo, se observado no instrumento, diz respeito ao manual de instruções para operação e/ou informações de segurança.
	Este símbolo indica a presença de risco de explosão.
	Este símbolo indica a presença de risco de incêndio.
	Este símbolo identifica risco de dano químico e indica que somente pessoas qualificadas e treinadas para trabalhar com produtos químicos devem manipular tais produtos ou fazer a manutenção de sistemas de distribuição química associados ao equipamento.
	Este símbolo indica a necessidade de uso de óculos de proteção.
	Os equipamentos elétricos marcados com este símbolo não podem ser descartados em sistemas de descarte (lixo) públicos europeus após 12 de agosto de 2005. Em conformidade com as regulamentações nacionais e locais europeias (Diretiva UE 2002/96/EC), os usuários de equipamentos elétricos devem devolver seus equipamentos usados para o fabricante para descarte, sem ônus para o usuário. Observação: Para o envio de equipamento para reciclagem, entre em contato com o fabricante ou fornecedor do equipamento para obter instruções sobre o envio de sucata de equipamento, acessórios elétricos fornecidos pelo fabricante e todos os itens auxiliares para um descarte adequado.

Certificação

Canadian Radio Interference-Causing Equipment Regulation (Regulamentação para equipamentos de rádio causadores de interferência do Canadá), IECs-003, Classe A:

Os registros de testes de comprovação encontram-se com o fabricante. Este aparelho digital Classe A atende a todos os requisitos de regulamentações canadenses sobre equipamentos que causam interferências.

Cet appareil numérique de classe A répond à toutes les exigences de la réglementation canadienne sur les équipements provoquant des interférences.

FCC parte 15, limites Classe "A"

Os registros de testes de comprovação encontram-se com o fabricante. O dispositivo está em conformidade com a Parte 15 das Regras da FCC. A operação está sujeita às seguintes condições:

1. O equipamento não deve causar interferência prejudicial.
2. O equipamento deve aceitar todas as interferências recebidas, inclusive interferências que podem causar funcionamento indesejado.

Alterações ou modificações a este equipamento não aprovadas expressamente pela parte responsável pela conformidade podem anular a autoridade do usuário de operar o equipamento. Este equipamento foi testado e está em conformidade com os limites de dispositivo digital Classe A, de acordo com a Parte 15 das Regras da FCC. Esses limites foram estabelecidos para proporcionar uma razoável proteção contra interferências nocivas quando o equipamento for operado em ambientes comerciais. Este equipamento gera, utiliza e pode irradiar energia de rádiofrequência e, se não instalado e usado de acordo com o manual de instruções, pode causar interferências prejudiciais às comunicações de rádio. É provável que o funcionamento deste equipamento em área residencial possa causar interferência indesejada, caso em que o usuário será solicitado a corrigir a interferência por conta própria. As seguintes técnicas podem ser usadas para reduzir problemas de interferência:

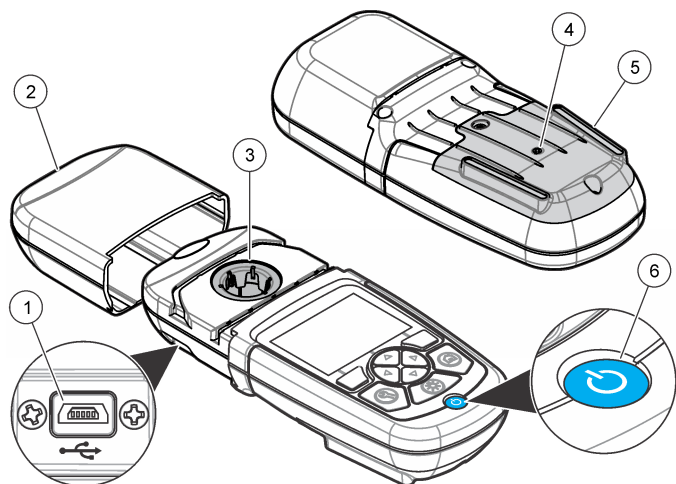
1. Desconecte o equipamento de sua fonte de alimentação para verificar se ele é ou não a origem da interferência.
2. Se o equipamento está conectado à mesma tomada do dispositivo que está sofrendo interferência, conecte o equipamento a uma tomada diferente.

3. Afaste o equipamento do dispositivo que estiver recebendo a interferência.
4. Reposicione a antena de recebimento do dispositivo que está sofrendo interferência.
5. Tente algumas combinações das opções acima.

Visão geral do produto

O DR 900 é um colorímetro portátil, baseado em LEDs que efetua medições em comprimentos de onda de 420, 520, 560 e 610 nm. O instrumento é usado para medir diversos parâmetros em água potável, água residual e aplicações industriais. O instrumento é fornecido com um conjunto completo de programas armazenados (métodos pré-instalados), a disponibilidade de armazenamento de programa de usuário e a seleção de programa favorito. Consulte [Figura 1](#).

Figura 1 Instrumento

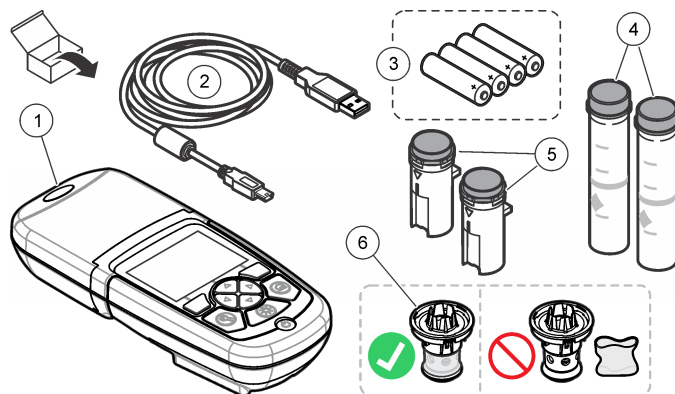


1 Porta USB	4 Abertura de ventilação
2 Tampa do instrumento	5 Compartimento da bateria
3 Compartimento da célula	6 Tecla liga/desliga

Componentes do produto

Certifique-se de que todos os componentes foram recebidos. Consulte [Figura 2](#). Se houver itens ausentes ou danificados, entre em contato imediatamente com o fornecedor do instrumento ou com um representante de vendas.

Figura 2 Componentes do produto



1 DR 900	4 Cubeta de amostra em vidro, redonda de 1 polegada (25 mm), com marcações de 10, 20, 25 ml (2x)
2 Cabo USB com conector mini-USB	5 Cubeta de amostra, 1 cm/10 ml (2x)
3 Baterias AA alcalinas (4x)	6 Adaptador de cubeta de amostra

Instalação

⚠ ADVERTÊNCIA





Vários perigos. Somente pessoal qualificado deve realizar as tarefas descritas nesta seção do manual.

AVISO

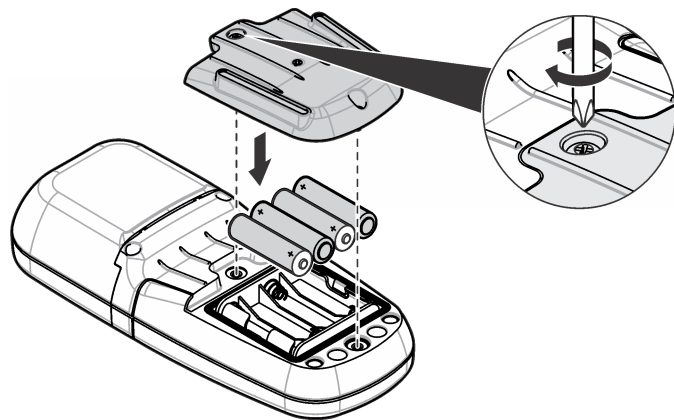
Tome cuidado para não bloquear a ventilação da bateria do instrumento durante o uso ou o armazenamento.

Instalar as baterias

▲ ADVERTÊNCIA	
	Risco de explosão. A instalação incorreta das baterias pode causar liberação de gases explosivos. As baterias devem ser do mesmo tipo químico aprovado e ser inseridas com a orientação correta. Não misture baterias novas com antigas.
▲ ADVERTÊNCIA	
	Perigo de incêndio. Não é permitida a substituição da pilha. Use somente baterias alcalinas.
AVISO	
Aperte os parafusos a um torque de 1–1,4 N·m (9–12 pol.·lb) para uma correta vedação e para manter a classificação ambiental da vedação.	

O instrumento é alimentado por quatro baterias AA alcalinas. Certifique-se de que as baterias estão instaladas na posição correta. Consulte [Figura 3](#) para informações de instalação da bateria.

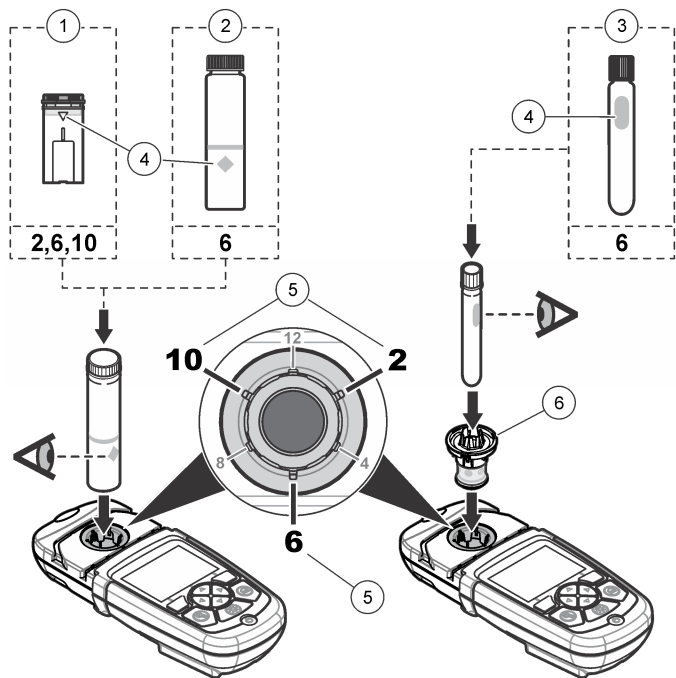
Figura 3 Instalação da pilha



Instalar a cubeta de amostra e o adaptador de cubeta

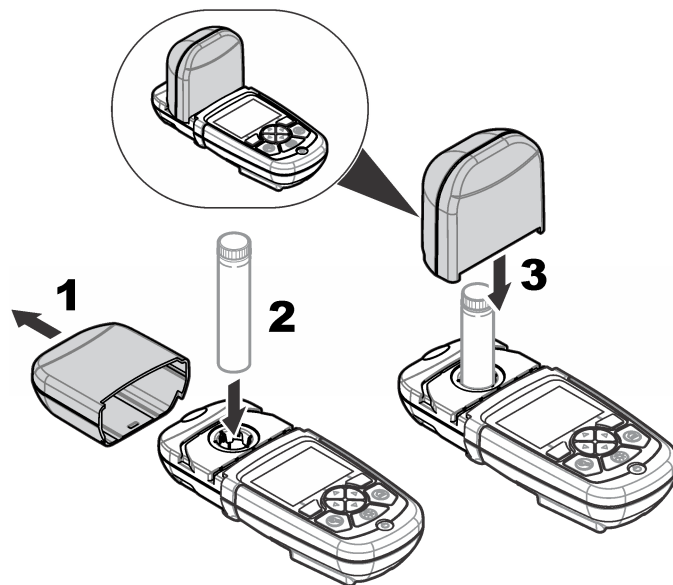
O instrumento tem um compartimento de cubeta que pode usar um adaptador para diferentes tipos de cubetas de amostra. Certifique-se de instalar a cubeta de amostra na orientação correta e consistente de modo que os resultados sejam mais repetíveis e precisos. Consulte [Figura 4](#). Feche a tampa do instrumento antes que o zero do instrumento seja ajustado ou que uma medição seja efetuada para evitar as interferências de luz. Consulte [Figura 5](#).

Figura 4 Orientação da cubeta de amostra



1 Cubeta de amostra plástica de 1 cm/10 ml	4 Marca de orientação
2 Cubeta de amostra em vidro de 1 polegada (25 mm)	5 Posição de orientação (sentido horário)
3 Ampola de teste em vidro de 16 mm	6 Adaptador de cubeta de amostra

Figura 5 Instalação da tampa do instrumento e da cubeta de amostra

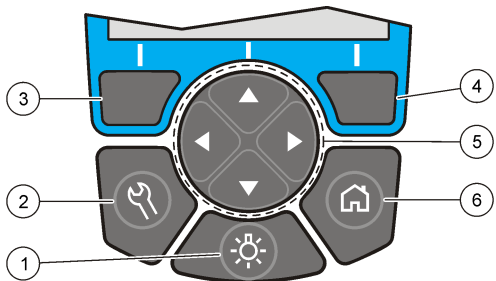


Interface do usuário e navegação

Descrição do teclado numérico

Consulte [Figura 6](#) para obter a descrição do teclado numérico e informações de navegação.

Figura 6 Descrição do teclado numérico



1 LUZ DE FUNDO: liga ou desliga a iluminação do visor	4 Tecla de seleção DIREITA (contextual): leitura da amostra, seleciona ou confirma opções, abre submenus
2 DEFINIÇÕES: opções de configuração ¹	5 Teclas de navegação PARA CIMA, PARA BAIXO, DIREITA, ESQUERDA: rolagem através dos menus, inserção de números e letras ²
3 Tecla de seleção ESQUERDA (contextual): acesso a opções, cancela ou sai da tela de menu atual e retorna à anterior	6 HOME/Opções: ida à tela principal de leitura ¹ , seleção de programa, gerenciamento de dados

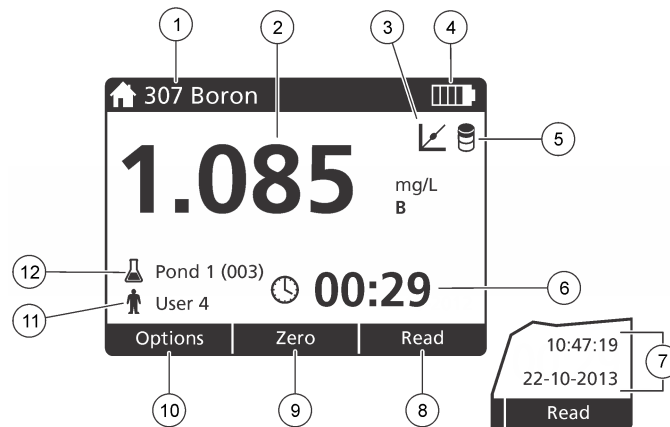
¹ Quando em modo de edição, a tecla não funciona.

² Quando uma tecla PARA CIMA ou PARA BAIXO é mantida pressionada, a rolagem acelera. Quando uma tecla DIREITA ou ESQUERDA é pressionada, ocorre a rolagem por página.

Descrição do visor

A tela de leitura mostra o modo selecionado, unidade, data & hora, ID do operador e ID da amostra. Consulte [Figura 7](#).

Figura 7 Exibição em tela única



1 Nome e número do programa	7 Hora e data
2 Lendo o valor, a unidade, a fórmula química abaixo "---" ou acima da faixa de medição "+++"	8 Leitura (contextual: concluído, selecionar, iniciar, ok)
3 Ícone de ajuste padrão	9 Zero (contextual: tecla de navegação seta para CIMA)
4 Estado das baterias	10 Opções (contextual: voltar, cancelar)
5 Ícone de reagente para ensaio em branco	11 Identificação do operador
6 Cronômetro	12 Identificação da amostra

Navegação

O instrumento contém menus para alterar diversas opções. Use as teclas de navegação (setas **PARA CIMA**, **PARA BAIXO**, **DIREITA** e **ESQUERDA**) para realçar diferentes opções. Pressione a tecla de seleção **DIREITA** para selecionar uma opção. Insira um valor de opção

com as teclas de navegação. Pressione as teclas de navegação (setas **PARA CIMA**, **PARA BAIXO**, **DIREITA** e **ESQUERDA** para inserir ou alterar um valor. Pressione a seta **DIREITA** para avançar até o espaço seguinte. Pressione a tecla de seleção **DIREITA** sob **Concluído** para aceitar o valor. Pressione a tecla de seleção **ESQUERDA** para sair da tela de menu atual e retornar à anterior.

Inicialização

Ligar ou desligar o instrumento

Pressione a tecla **ENERGIA** para ligar ou desligar o instrumento. Caso o instrumento não ligue, certifique-se de que as baterias estão corretamente instaladas.

Definir o idioma

Há duas opções para definir o idioma:

- Defina o idioma do visor quando o instrumento é ligado pela primeira vez.
- Defina o idioma no menu **DEFINIÇÕES**.

1. Pressione **DEFINIÇÕES>Configurar>Idioma**.
2. Selecione um idioma da lista.

Definir data e hora

Há duas opções para definir a data e a hora:

- Defina a data e a hora quando o instrumento for ligado pela primeira vez.
- Defina a data e a hora através do menu **Data & Hora**.

1. Pressione **DEFINIÇÕES>Configurar>Data & Hora**.
2. Pressione **Formato da data** e selecione um formato para a data e a hora.
3. Pressione **Data & Hora**.

4. Use as teclas de navegação para inserir a data e a hora atuais e, em seguida, pressione **Concluído**.

Operação padrão

Lista de programas

O instrumento é entregue com uma série completa de programas aplicativos. Consulte [Tabela 1](#) para obter a descrição dos programas.

Tabela 1 Opções do programa

Opção do programa	Descrição
Programas armazenados	Os programas armazenados são métodos pré-programados, instalados de fábrica. Consulte Selecionar um programa armazenado na página 56.
Programas de usuário	Métodos podem ser desenvolvidos e salvos como um programa de usuário. ¹ Consulte Programas de usuário na página 59.
Favoritos	Métodos que são usados frequentemente podem ser salvos na lista de favoritos. ¹

¹ Um máximo de dez métodos (programas de usuário e/ou favoritos) pode ser salvo.

Selecionar um programa armazenado

1. Pressione **HOME>Opções>Todos os Programas**.
2. Selecione o método aplicável e pressione **Iniciar**.
3. Selecione **Opções>Adicionar a Favoritos** para adicionar o método selecionado aos favoritos de forma a possibilitar um acesso mais rápido.

Selecionar opções de programa básicas

Quando um programa é selecionado, opções de parâmetros adicionais estão disponíveis.

1. Pressione **Opções** para ter acesso ao menu de opções.
2. Selecione as opções aplicáveis.

Opção	Descrição
Iniciar temporizador	Selecione um cronômetro predefinido ou defina um cronômetro manual para certificar-se de que as etapas de uma análise são cronometradas corretamente (por exemplo, tempos de reação ou tempos de espera podem ser especificados exatamente). Quando o cronômetro está ligado, o ícone correspondente é mostrado no visor. O instrumento emite um som audível quando o tempo se esgota. Cronômetro predefinido — Selecione o cronômetro predefinido aplicável para um ou mais etapas de procedimento armazenado e pressione Iniciar . Cronômetro manual — Insira o período aplicável com as teclas de navegação e pressione Concluído . Padrão = 00:00
Favores./Progrs. usuário	Selecione da lista de favoritos ou de programas de usuário armazenados. Consulte a seção Selecionar um favorito ou um programa de usuário na página 59 para obter mais informações.
Todos os Programas	Selecione um método pré-programado da lista.
Registro de dados	Mostre todas as leituras salvas. Consulte a seção Registro de dados na página 59 para obter mais informações.
Adicionar a Favoritos	Salve programas armazenados e métodos de programas de usuário que são usados frequentemente na lista de favoritos. Consulte Adicionar um programa aos favoritos na página 59.
%T/Abs/Conc	Altere para as leituras de % de transmitância, absorvância ou concentração. Leitura de transmitância (%) — Efetua a leitura do percentual da luz original que passa através da amostra e atinge o detector. Leituras de absorvância — A luz absorvida pela amostra é lida em unidades de absorvância. Leituras de concentração — Os valores da absorvância medida são convertidos em valores de concentração com a equação armazenada específica do programa.

Opção	Descrição
Opções Avançadas	Use as opções avançadas para especificar mais parâmetros. Consulte Selecionar opções de programa avançadas na página 57.
Salvar	Salve a última leitura manualmente quando a opção de salvamento automático estiver desativada.

Selecionar opções de programa avançadas

Cada programa tem diversas opções avançadas adicionais que podem ser selecionadas.

1. Pressione **Opções** para ter acesso a **Opções>Opções Avançadas**.
2. Use as opções avançadas para especificar mais parâmetros.

Opção	Descrição
Auto-salvar	Altere entre Ativada e Desativada. Cada leitura é automaticamente salva quando a opção está definida como Ativada. A leitura pode ser salva manualmente quando a opção está definida como Desativada.
Fórmula química	Selecione a fórmula química alternativa e a faixa de medição associada em alguns métodos instalados de fábrica.
Amostra de referência do reagente	A correção do reagente para ensaio em branco pode ser usada com alguns dos métodos instalados de fábrica. Insira o resultado de um teste concluído usando água deionizada como amostra. O valor do ensaio em branco é subtraído de cada resultado para corrigir qualquer cor de fundo devida a reagentes. Insira a correção do ensaio em branco antes de usar a opção Ajuste Padrão. Execute esta correção para cada novo lote de reagentes para ensaio.
Ajuste padrão	Altere a calibração armazenada. Realize um teste em um padrão conhecido a uma concentração próxima do valor máximo da faixa do teste. Use esta função para ajustar o resultado de forma a alinhar a concentração do padrão.
Classificar programas	Selecione uma ordem de programa alfabética ou numérica para a lista de programas armazenados.

Use uma identificação do operador

A etiqueta de identificação do operador é usada para associar leituras a um único operador. Todos os dados armazenados incluirão esta identificação.

1. Pressione **DEFINIÇÕES>ID do operador** na tela de leitura.
2. Selecione, crie ou exclua uma identificação de operador:

Opção	Descrição
ID atual	Selecione uma identificação de uma lista. A identificação atual estará associada aos dados da amostra até que uma identificação diferente seja selecionada.
Criar nova ID	Digite um nome para a nova identificação de operador. Um máximo de 10 nomes pode ser inserido.
Excluir ID	Exclua uma identificação de operador existente.

Uso de uma ID de amostra

A etiqueta de identificação da amostra é usada para associar leituras a uma amostra específica ou a um local. Se especificado, os dados armazenados incluirão esta identificação.

1. Pressione **DEFINIÇÕES>ID da amostra** na tela de leitura.
2. Selecione, crie ou exclua uma identificação de operador:

Opção	Descrição
ID atual	Selecione uma identificação de uma lista. A identificação atual estará associada aos dados da amostra até que uma identificação diferente seja selecionada.
Criar nova ID	Digite um nome para a nova identificação de amostra. Um máximo de 10 nomes pode ser inserido. As amostras são numeradas em sequência para cada medição até que uma identificação diferente seja selecionada (por exemplo, Pond 1, Pond 2).
Excluir ID	Exclua uma identificação de amostra existente.

Como fazer uma medição

São necessárias etapas básicas de medição para concluir uma medição. Cada método tem um procedimento passo a passo. Consulte o método aplicável para executar um teste específico. O exemplo a seguir é um procedimento básico para concluir uma medição.

1. Selecione o programa aplicável no menu de programas (por exemplo, Programas Armazenados, Programas de Usuário, Favoritos).
2. Instale o adaptador de cubeta, se necessário.
3. Pressione **Iniciar** para iniciar o programa.
4. Prepare o ensaio em branco de acordo com o documento do método. Feche a cubeta de amostra e limpe as faces ópticas da cubeta de amostra com um pano sem fiapos.
5. Insira a cubeta de amostra em branco dentro do compartimento da cubeta. Certifique-se de instalar a cubeta de amostra em branco no local correto e em uma orientação consistente de modo que os resultados sejam mais repetíveis e precisos. Consulte [Figura 4](#) na página 54.
6. Feche a tampa do instrumento para evitar interferências da luz. Consulte [Figura 5](#) na página 54.
7. Pressione **Zero**. O visor mostra uma concentração de zero (por exemplo, mg/l, ABS, µg/l).
8. Prepare a amostra. Adicione reagentes conforme especificado pelo documento do método.
9. Selecione **Opções>Iniciar temporizador** para usar os cronômetros armazenados dentro do programa.
10. Feche a cubeta de amostra e limpe as superfícies ópticas da cubeta com um pano sem fiapos.
11. Insira a amostra dentro do compartimento da cubeta. Certifique-se de instalar a cubeta de amostra no local correto e em uma orientação consistente de modo que os resultados sejam mais repetíveis e precisos. Consulte [Figura 4](#) na página 54.
12. Feche a tampa do instrumento para evitar interferências da luz. Consulte [Figura 5](#) na página 54.

13. Pressione Ler. O visor mostra os resultados nas unidades selecionadas.

Observação: O visor mostra "+++" ou "---" se a absorvância medida for menor ou maior que a faixa de calibração do teste.

Registro de dados

O registro de dados mostra todas as leituras salvas. Pressione **HOME>Opções>Registro de dados** para visualizar as leituras. Consulte [Exportar o registro de dados](#) na página 62 para obter informações sobre a exportação do registro de dados.

Operação avançada

Selecionar um favorito ou um programa de usuário

O banco de dados de favoritos e programas de usuário está vazio quando o instrumento é iniciado pela primeira vez. Um método pode ser salvo nos favoritos para possibilitar um acesso mais rápido. Um programa de usuário pode ser desenvolvido para necessidades específicas.

1. Pressione **HOME>Opções>Favoritos/Programas do Usuário>Selecionar**.
2. Pressione **Novo Programa** para criar um novo programa de usuário. Consulte [Programas de usuário](#) na página 59.

Adicionar um programa aos favoritos

Métodos de programas de usuário e programas armazenados que são usados frequentemente podem ser salvos na lista de favoritos.

1. Selecione **INÍCIO>Opções>Todos os Programas**.
2. Selecione o método aplicável e pressione **Iniciar**.
3. Selecione **Opções>Adicionar a Favoritos** para adicionar o método selecionado aos favoritos.

* Caso a curva seja conhecida por ser linear, somente 2 pontos de dados de concentração (por exemplo, um padrão com absorvância igual a zero e um outro padrão conhecido) serão necessários. Use pontos de dados adicionais para confirmar a linearidade ou para definir uma curva não linear.

Programas de usuário

O banco de dados de programas de usuário está vazio quando o instrumento é iniciado pela primeira vez. Use **Novo Programa** para criar novos programas para necessidades específicas. Para criar um novo programa de usuário, execute as etapas a seguir.

1. Pressione **HOME>Opções>Favoritos/Programas do Usuário>Selecionar>Novo Programa**.
2. Selecione um número de programa disponível de 1001 a 1010.
Observação: Um máximo de dez programas (programas de usuário e/ou favoritos) pode ser salvo.
3. Insira um nome de método (até 12 caracteres).
4. Selecione o comprimento de onda: 420, 520, 560 ou 610 nm.
5. Selecione a unidade: nenhuma, µg/l, mg/l ou g/l.
6. Selecione a resolução: 0000, 000.0, 00.00 ou 0.000.
7. Adicione os pontos de calibração: um mínimo de 2 e um máximo de 12 pontos de calibração.* Selecione **Editar Padrão 1** e insira o valor de concentração do primeiro padrão. Pressione **Concluído**.
Observação: Um bipe significa que a concentração é uma duplicata de um padrão inserido anteriormente ou a concentração é muito elevada para a resolução selecionada. Insira um valor diferente e continue.

8. Insira o valor de absorvância:

Opção	Descrição
Editar ABS Manual	Use as teclas de navegação para inserir o valor de absorvância manualmente.
Editar ABS Auto	<ol style="list-style-type: none">1. Coloque a amostra em branco dentro do suporte da cubeta e pressione Zero.2. Coloque a amostra preparada dentro do suporte da cubeta e pressione Ler.3. Pressione Concluído.

Observação: Um bipe significa que a absorvância é uma duplicata de um padrão inserido anteriormente ou que oscila entre dois padrões anteriores. Insira um valor diferente e continue.

9. Pressione **Concluído**.
10. Selecione Adicionar Ponto de Cal.
11. Insira os pontos adicionais de calibração como descrito nas etapas 7–9.
12. Selecione **Salvar Programa de Usuário**.

Editar um programa de usuário

Para editar um programa de usuário armazenado:

1. Selecione **HOME>Favors./Progrs. usuário**.
2. Selecione o programa aplicável e pressione **Opções**.
3. Pressione **Editar**.
4. Siga as instruções na tela para editar o procedimento.

Excluir um usuário ou programa favorito

Exclua um usuário armazenado ou programa favorito caso o programa não seja mais usado.

1. Selecione **HOME>Opções>Favors./Progrs. usuário**.
2. Realce o programa aplicável e pressione **Opções>Excluir** e siga as instruções na tela.

Informações instrumento

O menu de informações instrumento mostra informações específicas como o nome do instrumento, número de série, versão do software, versão do banco de dados, memória utilizada e disponibilidade do programa. Pressione **DEFINIÇÕES>Configurar>Informações instrumento**.

Definir a senha

As opções de definição da senha são usadas para impedir o acesso a menus restritos.

Observação: Caso a senha especificada seja esquecida e as Opções de segurança estejam ativadas, o operador terá acesso bloqueado aos menus restritos. Entre em contato com o suporte técnico se a senha for esquecida.

1. Pressione **DEFINIÇÕES>Configurar>Definições de senha**.
2. Selecione uma opção.

Opção	Descrição
Definições de senha	Selecione Ativada ou Desativada para ativar ou desativar a proteção por senha.
Itens Protegidos	Mostra a lista de itens protegidos: editar ID de operador, editar ID de amostra, editar programas de usuário, data & hora, atualizar firmware, atualizar métodos, idioma e editar lista de favoritos.

Ajustar o visor e o som

Use as opções de exibição para alterar o contraste do visor, as opções de desligamento automático da bateria ou a opção da luz de fundo. Use as opções de som para emitir um som audível quando uma tecla for pressionada ou quando uma leitura estiver concluída.

1. Pressione **DEFINIÇÕES>Configurar>Visor & Som>Opções de exibição**.

2. Selecione uma opção.

Opção	Descrição
Contraste	Como ajustar o contraste do visor. O ajuste mais suave é 0 e o mais escuro é 9. Padrão: 5
Desligamento automático	Para maximizar a vida útil da bateria, defina um período de tempo após o qual o instrumento desligará automaticamente caso nenhuma tecla seja pressionada (5, 10, 15, 20, 30 minutos, 1 hora, 2 horas ou Desativado). Padrão: 10 minutos
Luz de fundo	A luz de fundo do visor é ajustada como ativa quando LUZ DE FUNDO é pressionada. Defina um período de tempo após o qual a luz de fundo será desligada automaticamente caso nenhuma tecla seja pressionada (10, 20, 30 segundos, 1, 2, 5, 10 minutos ou Desativado). Padrão: 1 minuto

3. Pressione **DEFINIÇÕES>Configurar>Visor & Som>Sons**.

4. Selecione uma opção.

Opção	Descrição
Pressionamento de tecla	O instrumento emitirá um som audível sempre que uma tecla for pressionada. Padrão: desligado
Leitura concluída	O instrumento emitirá um som audível sempre que uma leitura for concluída. Padrão: ligado

Menu principal USB

Quando o instrumento é conectado com um cabo USB a um computador, o Menu principal USB é exibido. Atualize o software, exporte ou importe programas ou exporte o registro de dados e de eventos a partir do Menu principal USB.

Atualizar o firmware

Localize o arquivo de atualização do firmware no site na Web do produto ou entre em contato com o fornecedor do instrumento. Salve o arquivo do site na Web no computador.

1. Ligue o instrumento e conecte o cabo USB ao instrumento e ao computador.
O Menu principal USB é exibido.
2. Selecione **Atualizar DR900**.
O instrumento é exibido como uma unidade USB no computador. Abra a pasta.
3. Copie o arquivo DR900.bin para a pasta aberta.
4. Pressione **Ok**.
5. Quando a atualização estiver concluída, pressione **Ok**.
6. Selecione **Desconectar USB**, pressione **Ok** e desconecte o cabo USB.
7. Pressione **Ok**.
8. Reinicie o instrumento.

Gerenciar programas

Com a função de Gerenciar Programas, os programas de usuário podem ser exportados e/ou importados e novos programas do fabricante pode ser importados.

1. Ligue o instrumento e conecte o cabo USB ao instrumento e ao computador.
O Menu principal USB é exibido.
2. Selecione **Gerenciar Programas** e selecione uma opção:

Opção	Descrição
Exportar programas de usuário	Exporte todos os programas de usuário para o computador para armazenamento ou para movê-los para um outro DR 900.

Opção	Descrição
Importar programas de usuário	Substitua todos os programas de usuário com os programas de um outro DR 900 por meio do computador.
Importar programas do fabricante	Importe novos programas diretamente do site do fabricante na Web.

O instrumento é exibido como uma unidade USB no computador. Abra a pasta.


3. Copie o arquivo exportado da unidade para o computador ou copie o arquivo importado do computador para a unidade.
4. Pressione **Ok**.
5. Quando a transferência estiver concluída, selecione **Desconectar USB** e desconecte o cabo USB.
6. Pressione **Ok**.

Exportar o registro de dados



O registro de eventos e o registro de dados podem ser exportados para o computador. O registro de eventos contém a data, a hora, o número do evento, o parâmetro e a descrição de uma ação relacionada à configuração. As medições de amostras são armazenadas manualmente ou automaticamente no registro de dados. Consulte [Selecionar opções de programa avançadas](#) na página 57.


1. Ligue o instrumento e conecte o cabo USB ao instrumento e ao computador.
O Menu principal USB é exibido.
2. Selecione **Exportar registro dados**.
O instrumento é exibido como uma unidade USB no computador. Abra a pasta.
3. Copie e salve os arquivos de exportação (DR900_DataLog.csv e DR900_EventLog.csv) no computador.
4. Pressione **Ok**.
5. Quando os arquivos tiverem sido copiados para o computador, selecione **Desconectar USB** e desconecte o cabo USB.
6. Pressione **Ok**.

Manutenção

▲ ADVERTÊNCIA	
	Vários perigos. Somente pessoal qualificado deve realizar as tarefas descritas nesta seção do manual.

Limpar as cubetas de amostra

▲ CUIDADO	
	Risco de exposição a produtos químicos. Obedeça aos procedimentos de segurança laboratoriais e use todos os equipamentos de proteção individual adequados aos produtos químicos que estão sendo manipulados. Consulte as planilhas de dados de segurança de (MSDS/SDS) atuais para verificar os protocolos de segurança.
	

▲ CUIDADO	
	Risco de exposição a produtos químicos. Descarte produtos químicos e detritos de acordo com as regulamentações locais, regionais e nacionais.

A maioria dos detergentes de laboratório são usados nas concentrações recomendadas. Detergentes neutros, como o Liquinox, são mais seguros quando for necessária uma limpeza habitual. Para diminuir o tempo de limpeza, aumente a temperatura ou utilize um banho ultrassônico. Para finalizar a limpeza, enxágue algumas vezes com água deionizada e deixe a cubeta de amostra secar naturalmente. As cubetas de amostra também podem ser limpas com ácido, seguido de uma lavagem meticulosa com água deionizada.

Observação: Use sempre ácido para limpar cubetas de amostra que foram usadas em testes de metal de baixo nível.

Métodos especiais de limpeza são necessários para procedimentos individuais. Ao utilizar uma escova para limpar cubetas de amostra, tenha cuidado redobrado para evitar arranhões nas superfícies internas das cubetas.

Substituir as baterias

▲ ADVERTÊNCIA



Risco de explosão. Baterias vencidas podem causar acúmulo de gás hidrogênio dentro do instrumento. Substitua as baterias antes da data de vencimento e não armazene o instrumento durante períodos prolongados com as baterias instaladas.

▲ ADVERTÊNCIA



Perigo de incêndio. Não é permitida a substituição da pilha. Use somente baterias alcalinas.

AVISO

Aperte os parafusos a um torque de 1–1,4 N·m (9–12 pol.·lb) para uma correta vedação e para manter a classificação ambiental da vedação.

Consulte [Instalar as baterias](#) na página 53 para saber como substituir a bateria.

Solução de problemas

Código do erro	Causa possível	Solução
1	Instrumento não está configurado.	Entre em contato com o suporte técnico.
2	Não foi possível ler os dados do programa	
3	Não foi possível gravar os dados do programa	
4	Erro da bateria	Substituir as baterias.

Código do erro	Causa possível	Solução
5	Erro de A/D durante a medição	Entre em contato com o suporte técnico.
6	Erro de compensação durante a medição	Certifique-se de que a tampa do instrumento está corretamente instalada.
7	Erro de luz fraca durante a medição	<ul style="list-style-type: none"> • Certifique-se de que não há bloqueio para a passagem da luz. • Zero está fora da faixa de medição do instrumento • Entre em contato com o suporte técnico.
8	Erro de valor acima da faixa durante uma medição, um bloqueio potencial da passagem da luz ou a concentração está muito elevada	<ul style="list-style-type: none"> • Certifique-se de que não há bloqueio para a passagem da luz e que a concentração não está muito elevada para o programa. • Certifique-se de que a tampa do instrumento está corretamente instalada. • Entre em contato com o suporte técnico.

Peças e acessórios de reposição

▲ ADVERTÊNCIA



Risco de lesão corporal. O uso de peças não aprovadas pode causar lesões pessoais, danos ao instrumento ou mau funcionamento do equipamento. As peças de substituição nesta seção foram aprovadas pelo fabricante.

Observação: Os códigos dos produtos podem variar para algumas regiões. Entre em contato com o distribuidor apropriado ou consulte o website da empresa para obter informações de contato.

Peças de reposição

Descrição	Nº de item
Montagem do adaptador, COD	4846400
Conjunto de baterias, baterias AA alcalinas (4x)	1938004
Cubeta de amostra com tampa, 25 x 95 mm, 10-20-25 ml (6x)	2401906
Cubeta de amostra com tampa, 1 cm/10 ml (2x)	4864302
Cabo USB	LZV818

Acessórios

Descrição	Nº de item
Tampa, cubeta de amostra, para cubeta de 25 x 95 ml	2401812
Estojo para transporte, rígido	4942500
Estojo para transporte, flexível com alça	2722000
Estojo para transporte, laboratório portátil	4943000
Padrões de absorvância DR/Check™	2763900
Tampa do instrumento, DR 900	9390500

目录

规格 第 65	标准操作 第 71
基本信息 第 65	高级操作 第 73
安装 第 67	维护 第 76
用户界面及导航 第 69	故障排除 第 76
启动 第 71	更换部件与附件 第 77

规格

产品规格如有变化，恕不另行通知。

规格	详细信息
测试模式	透射率 (%)、吸光度 (Abs) 和浓度 (Conc)
尺寸 (宽 x 深 x 高)	23.6 x 8.7 x 4.7 cm (9.3 x 3.4 x 1.9 in.)
外壳防护等级	IP67
重量	0.6 kg (1.3 lb)
电源要求 (内部)	AA 碱性电池 (4 节)
电池寿命	6 个月 (典型)，按一天 5 个读数/一周 5 天且不使用背光计算
接口	mini USB
工作温度	0 至 50 °C (32 至 122 °F)；最高 90% 相对湿度，无冷凝
存储温度	-30 至 60 °C (-22 至 140 °F)；最高 90% 相对湿度，无冷凝
灯源	发光二极管 (LED)
检测器	硅光电二极管
波长范围	420、520、560、610 nm
光度测量范围	0–2 Abs

规格	详细信息
波长精度	±1 nm
光度精度	±0.005 Abs (在 1.0 Abs 标称值时)
光度线性	±0.002 Abs (0–1 Abs)
波长选择	自动，根据方法设定
光度重复性	±0.002 Abs (0–1 Abs)
数据读出	图形显示，240 x 160 像素 (背光)
样品池	16 mm、1 cm/10 mL、1 英寸 (25 mm) 圆形
保护等级	III 类
认证	通过 CE 认证
保修	1 年

基本信息

对于因本手册中的任何不足或遗漏造成的直接、间接、特别、附带或结果性损失，制造商概不负责。制造商保留随时更改本手册和手册中描述的产品权利，如有更改恕不另行通知或承担有关责任。修订版可在制造商的网站上找到。

安全信息

注意

对于误用和滥用造成的产品损坏，制造商概不负责，包括但不限于：直接、附带和间接的损坏，并且对于适用法律允许的最大程度的损坏也不承担任何责任。用户唯一的责任是识别重大应用风险和安装适当的系统，以在设备可能出现故障时保护流程。

请在拆开本设备包装、安装或使用本设备前，完整阅读本手册。特别要注意所有的危险警告和注意事项。否则，可能会对操作者造成严重的人身伤害，或者对设备造成损坏。





确保设备提供的保护没有受损。请勿以本手册指定方式之外的其它方式使用或安装本设备。



危险信息使用

▲ 危险
表示潜在的或紧急的危险情况，如果不加以避免，将会导致死亡或严重伤害。
▲ 警告
表示潜在或非常危险的情形，如不可避免，可能导致严重的人身伤亡。
▲ 警告
表示潜在的危险情形，可能导致一定程度的人身伤害。
注意
表明如不加以避免则会导致仪器损坏的情况。需要特别强调的信息。

警告标签

请阅读贴在仪器上的所有标签和标记。如未遵照这些安全标签的指示操作，则可能造成人身伤害或仪器损坏。仪器上的符号在手册中通过警告说明参考。

	本符号如果出现在仪器中，则表示参考说明手册中的操作和/或安全信息。
	此标志指示存在爆炸危险。
	此标志指示存在火灾危险。
	此标志指示化学伤害危险，并指示只有合格的人员以及在处理化学制品方面受过培训的人员，才能处理化学制品，或执行与该设备有关的化学制品传送系统的维护工作。

	此标志指示需要戴上防护眼镜。
	使用此符号标记的电气设备在 2005 年 8 月 12 日后，不能通过欧洲公共垃圾系统进行处理。为遵守欧洲地区和国家法规（欧盟指令 2002/96/EC），欧洲电气设备使用者现在必须将废弃或到期的设备送还制造商进行处理，使用者不必支付任何费用。 注： 如果退回产品是为了进行再循环，请联系设备生产商或供应商，索取如何退回使用寿命到期的设备、生产商提供的电源附件以及所有辅助部件的说明，以便进行适当处理。

认证

加拿大无线电干扰产生设备法规（Canadian Radio Interference-Causing Equipment Regulation），IECS-003，A 类：

制造商支持测试记录留存。

此 A 类数字设备符合加拿大干扰产生设备法规的所有要求。

Cet appareil numérique de classe A répond à toutes les exigences de la réglementation canadienne sur les équipements provoquant des interférences.

FCC 第 15 部分，“A”类限制

制造商支持测试记录留存。该设备符合 FCC 规定第 15 部分的要求。设备操作满足以下两个条件：

1. 本设备不会造成有害干扰。
2. 本设备必须接受任何接收到的干扰，包括可能导致意外操作的干扰。

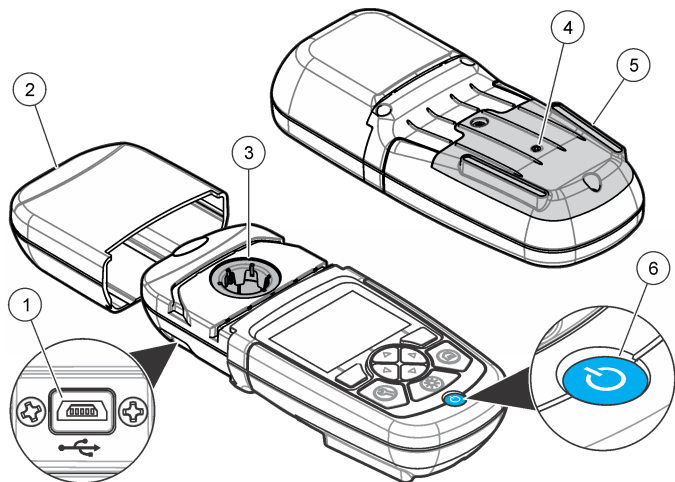
若未经负责出具符合声明的一方明确同意擅自对本设备进行改动或改装，可能会导致取消用户操作该设备的权限。本设备已经过测试，符合 FCC 规定第 15 部分中确定的 A 类数字设备限制。这些限制专门提供当设备在商业环境下工作时针对有害干扰的合理保护。该设备产生、使用和放射无线电射频能量，如果不按照说明手册的要求对其进行安装和使用，可能会对无线电通讯造成有害干扰。本设备在居民区工作时可能会产生有害干扰，这种情况下用户须自行承担费用消除这种干扰。以下方法可用于减少干扰问题：

1. 断开设备的电源，以便确定它是干扰源与否。
2. 如果设备与遭受干扰的仪器连接到相同的插座，将设备连接到其他插座。
3. 将设备从接受干扰的仪器边上移开。
4. 重新定位受干扰仪器的接收天线。
5. 同时尝试以上多项措施。

产品概述

DR 900 是一款便携式 LED 光源色度计，可测量 420、520、560 和 610 nm 波长。此仪器用于在饮用水、废水和工业应用中测量各种参数。此仪器随附一套完整的存储程序（预安装方法），以及用户程序存储和喜爱程序选择的可用性。请参阅 图 1。

图 1 仪器

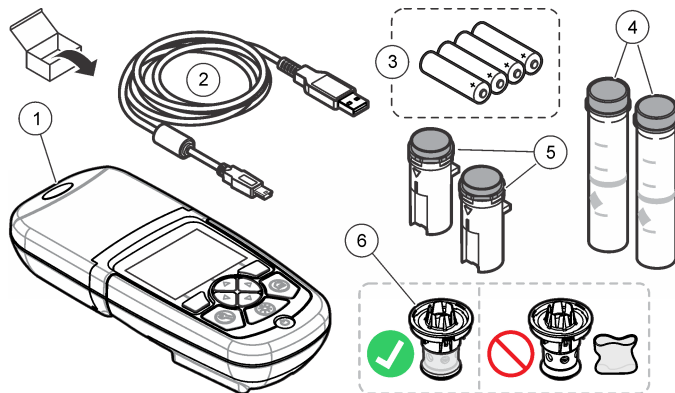


1 USB 端口	4 通风孔
2 仪器盖	5 电池盒
3 样品室	6 电源键

产品组件

确保已收到所有组件。请参阅 图 2。如有任何物品丢失或损坏，请立即联系仪器供应商或销售代表。

图 2 产品组件



1 DR 900	4 1 英寸 (25 mm) 圆形，10、20、25- mL 标记玻璃样品池 (2 个)
2 带微型 USB 连接器的 USB 电缆	5 1 cm³/10 mL 样品池 (2 个)
3 AA 碱性电池 (4 节)	6 样品池适配器

安装

警告





多种危险。只有合规的专业人员才能从事文件中本部分所述的任務。

注意

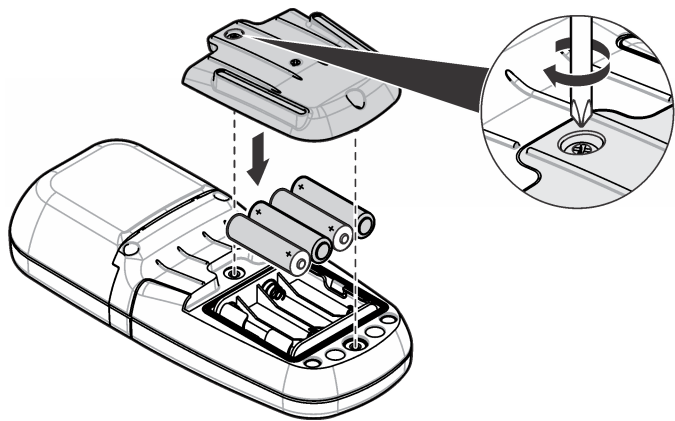
使用或存放期间确保不要堵塞仪器的电池排气口。

安装电池

警告	
	爆炸危险。电池安装不正确会导致释放爆炸性气体。确保以正确的朝向插入与已批准化学类型相同的电池。请勿混用新电池和用过的电池。
警告	
	火灾危险。不得使用替代电池。仅限使用碱性电池。
注意	
确保将螺钉拧紧到 1–1.4 N·m (9–12 in·lb)，以便正确地密封安装外壳，并保持外壳的防护等级。	

仪器通过四节 AA 碱性电池供电。确保电池安装的方向正确无误。有关电池安装，请参阅图 3。

图 3 安装电池



安装样品池和样品池适配器

仪器配备一个样品室，可以将一个适配器用于不同的样品池类型。确保以正确、一致的方向安装样品池，以便结果重复性更高，且更精确。请参阅图 4。请先关闭仪器盖，然后再设置仪器零位或进行测量，以防止光干扰。请参阅图 5。

图 4 样品池定向

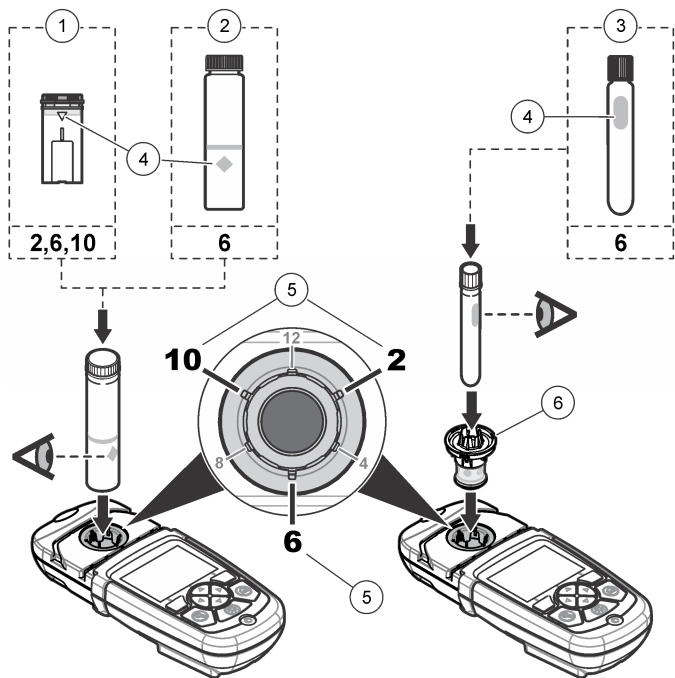
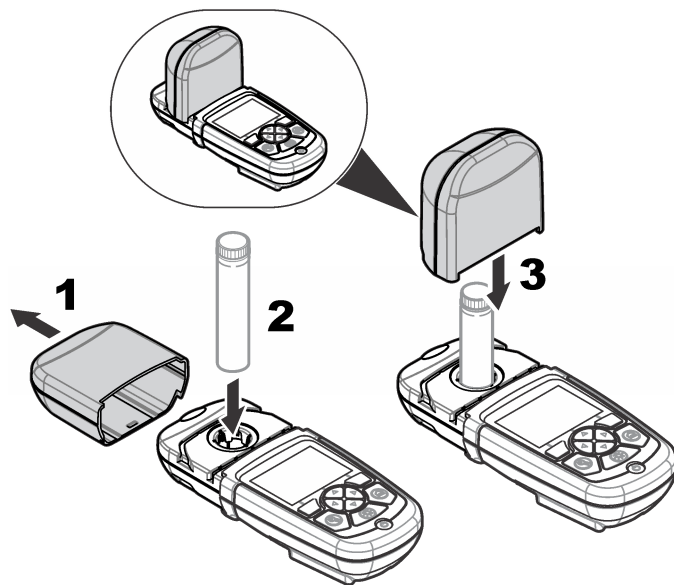


图 5 安装样品池和仪器盖



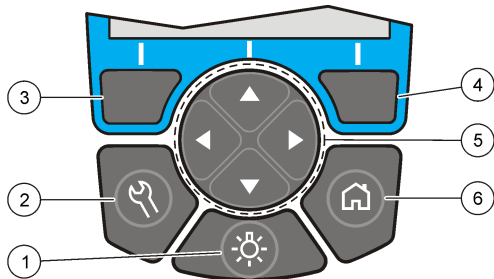
1 1-cm/10-mL 塑料样品池	4 定向标记
2 1 英寸 (25 mm) 玻璃样品池	5 定向位置 (顺时针)
3 16-mm 玻璃测试瓶	6 样品池适配器

用户界面及导航

键盘说明

有关键盘说明和导航信息，请参阅图 6。

图 6 键盘说明



1 背光：将显示屏照明设置为开或关	4 右选择键（上下文）：读取样品、选项或确认选项、打开子菜单
2 设置：设置选项 ¹	5 向上、向下、向右、向左导航键：滚动菜单、输入数字和字母 ²
3 左选择键（上下文）：访问选项、取消或退出当前菜单屏幕至上一个屏幕	6 主页/选项：转到主读数屏幕 ¹ ，选择程序、数据管理

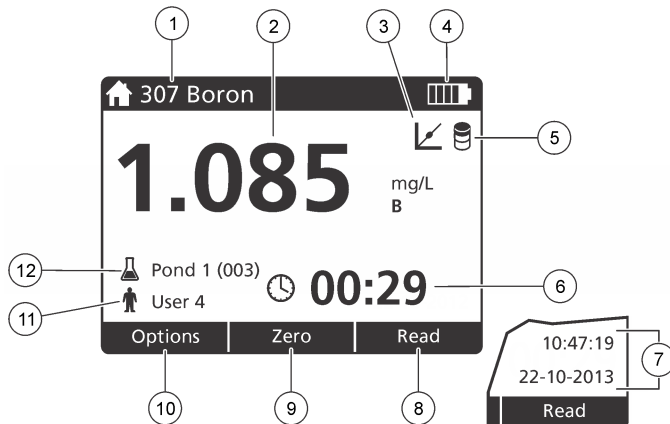
¹ 当处于编辑模式时，键无法操作。

² 按住向上或向下键，将快速滚动。按向左或向右键，将逐页滚动。

显示屏说明

读数屏幕将显示所选模式、单位、日期和时间、操作人员编号和样品编号。请参阅图 7。

图 7 单屏幕显示



1 程序名称和编号	7 时间和日期
2 读数、单位、化学形态、低于量程时显示 "---"、高于量程时显示 "+++"	8 读取（上下文：完成、选择、开始、确定）
3 标准调整图标	9 零（上下文：导航键向上箭头）
4 电池状态	10 选项（上下文：返回、取消）
5 试剂空白图标	11 操作人员编号
6 计时器	12 样品编号

导航

仪器包含用于更改各种选项的菜单。使用导航键（**向上**、**向下**、**向右**和**向左**键）以突出显示不同的选项。按**右**选择键以选择选项。使用导航键输入选项值。按导航键（**向上**、**向下**、**向右**和**向左**键）以输入或更改值。按**向右**键可移至下一空间。按**向右**选择键（在**完成**下）以接受值。按**左**选择键以退出当前菜单屏幕至上一个屏幕。

启动

开启或关闭仪器

按下**电源**键以开启或关闭仪器。如果仪器未开启，请确保已正确安装电池。

设置语言

有两个选项可设置语言：

- 首次开启仪器时，设置显示语言。
- 从“设置”菜单中设置语言。

1. 按**设置>设置>语言**。
2. 从列表中选择语言。

设置日期和时间

有两个选项可设置日期和时间：

- 首次开启仪器时，设置日期和时间。
- 从“日期和时间”菜单中设置日期和时间。

1. 按**设置>设置>日期和时间**。
2. 按**日期格式**，然后选择日期和时间格式。
3. 按**日期和时间**。
4. 使用导航键输入当前日期和时间，然后按**完成**。

标准操作

程序列表

仪器随附一系列完整的应用程序。有关程序说明，请参阅**表 1**。

表 1 程序选项

程序选项	说明
存储程序	存储程序为工厂安装、预编程的方法。请参阅 选择存储程序 第 71。
用户程序	可以开发方法并可另存为用户程序。 ¹ 请参阅 用户程序 第 73。
Favorites（喜爱程序）	经常使用的方法可以保存在喜爱程序列表中。 ¹

¹ 最多可以保存十种方法（用户程序和/或喜爱程序）。

选择存储程序

1. 按**主页>选项>所有程序**。
2. 选择适用的方法并按**开始**。
3. 选择**选项>添加至喜爱程序**，将所选方法添加到喜爱程序以便更快地访问。

选择基本程序选项

选择程序后，其他参数选项可供使用。

1. 按**选项**以访问选项菜单。
2. 选择适用的选项。

选项	说明
启动计时器	选择预置计时器或设置手动计时器，以确保正确定时分析步骤（如可以准确指定反应时间或等待时间）。如果计时器开启，则计时器图标会显示在显示屏上。当时间结束时，仪器将发出声音。 预置计时器 —选择一个或多个存储过程步骤的适用预置计时器，然后按 开始 。 手动计时器 —使用导航键输入适用的时间，然后按 完成 。缺省 = 00:00

选项	说明
喜爱程序/用户程序	从存储的喜爱程序或用户程序列表中选择。有关详细信息，请参考 选择喜爱程序或用户程序 第 73。
所有程序	从列表中选择预编程的方法。
数据日志	显示所有保存的读数。有关详细信息，请参考 数据日志 第 73。
添加至喜爱程序	将经常使用的存储程序和用户程序方法保存在喜爱程序列表中。请参阅 将程序添加至喜爱程序 第 73。
百分比透射率/吸光度/浓度	切换到百分比透射率、吸光度或浓度读数。 透射率读数 (%) —读取穿透样品并到达检测器的原始光纤的百分比。 吸光度读数 —采用吸光度单位读取样品吸收的光线。 浓度读数 —测量的吸光度值通过程序特定存储等式转换为浓度值。
高级选项	使用高级选项以指定更多参数。请参阅 选择高级程序选项 第 72。
保存	如果自动保存选项设置为“关”，则手动保存最后一个读数。

选择高级程序选项

每个程序都有多个附加的高级选项可供选择。

1. 按**选项**以访问**选项>高级选项**。
2. 使用高级选项以指定更多参数。

选项	说明
自动保存	在开与关之间进行切换。如果选项设置为“开”，则会自动保存每个读数。如果选项设置为“关”，则可手动保存读数。
化学形式	选择在一些工厂安装方法中的替换化学形式和相关测量范围。
试剂空白	一些工厂安装方法可以使用试剂空白校正。输入使用去离子水作为样品时的完整测试结果。从每个结果中减去空白值，以校正因试剂导致的任何背景颜色。使用“标准调整”选项之前，先输入空白校正。为每一批试剂完成此校正。
标准调整	更改存储的校准。按接近测试范围高位的浓度对已知标准液完成测试。使用此功能调整结果以校正标准液浓度。
对程序进行排序	为存储程序列表选择字母或数字程序顺序。

使用操作人员编号

操作人员编号标记用于将读数与单个操作人员相关联。所有保存的数据将包括此编号。

1. 在读数屏幕中按**设置>操作人员编号**。
2. 选择、创建或删除操作人员编号：

选项	说明
当前编号	从列表选择一个编号。当前编号将与样品数据相关联，直到选择其他编号为止。
创建新编号	输入新操作人员编号的名称。最多可以输入 10 个名称。
删除编号	清除现有操作人员编号。

使用样品编号

样品编号标记用于将读数与特定样品或位置相关联。如果已分配，存储的数据将包括此编号。

1. 在读数屏幕中按**设置>样品编号**。
2. 选择、创建或删除操作人员编号：

选项	说明
当前编号	从列表选择一个编号。当前编号将与样品数据相关联，直到选择其他编号为止。
创建新编号	输入新样品编号的名称。最多可以输入 10 个名称。样品将按每次测量的顺序编号，直到选择其他编号为止（如 1 号池、2 号池）。
删除编号	清除现有样品编号。

如何进行测量

完成测量需要执行基本的测量步骤。每种方法都具有循序渐进的过程。要运行特定测试，请参阅适用的方法。下列示例是完成测量的基本过程。

1. 从程序菜单中选择适用的程序（如“存储程序”、“用户程序”、“喜爱程序”）。
2. 根据需要，安装样品池适配器。

- 按 **Start (开始)** 启动程序。
- 根据方法文档准备空白样品池。封闭样品池，然后用无绒布清洁样品池的光学表面。
- 将空白的样品池插入到样品室。确保以正确、一致的方向安装空白的样品池，以便结果重复性更高，且更精确。请参阅 [图 4](#) 第 69。
- 关闭仪器盖以防止光干扰。请参阅 [图 5](#) 第 69。
- 按 **零**。显示屏将显示零的浓度（如毫克/升、ABS、微克/升）。
- 制备样品。添加方法文档指定的试剂。
- 选择 **选项>启动计时器** 以使用程序内存储的计时器。
- 封闭样品池，然后用无绒布清洁样品池的光学表面
- 将样品插入到样品室。确保以正确、一致的方向安装样品池，以便结果重复性更高，且更精确。请参阅 [图 4](#) 第 69。
- 关闭仪器盖以防止光干扰。请参阅 [图 5](#) 第 69。
- 按 **读取**。显示屏将以所选的单位显示结果。
注： 如果所测吸光度低于或超出测试校准范围，屏幕将显示“+++”或“--”。

数据日志

数据日志将显示所有保存的读数。按 **主页>选项>数据日志** 以查看读数。有关数据日志导出的信息，请参阅 [导出数据日志](#) 第 75。

高级操作

选择喜爱程序或用户程序

首次启动仪器时，喜爱程序 and 用户程序数据库为空。方法可以保存在喜爱程序中，以便更快地访问。可以对用户程序进行编程以满足特定需要。

- 按 **主页>选项>喜爱程序/用户程序>选择**。
- 按 **新建程序** 以新建用户程序。请参阅 [用户程序](#) 第 73。

将程序添加至喜爱程序

经常使用的存储程序和用户程序方法可以保存在喜爱程序列表中。

- 选择 **主页>选项>所有程序**。
- 选择适用的方法并按 **开始**。
- 选择 **选项>添加至喜爱程序** 将所选方法添加到喜爱程序。

用户程序

首次启动仪器时，用户程序数据库为空。使用 **新建程序** 以新建程序来满足特定需要。要新建用户程序，请执行下列步骤。

- 按 **主页>选项>喜爱程序/用户程序>选择>新建程序**。
- 从 1001 至 1010 中选择可用的程序编号。
注： 最多可以保存十个程序（用户程序和/或喜爱程序）。
- 输入方法名称（最多 12 个字符）。
- 选择波长：420、520、560 或 610 nm。
- 选择单位：无、微克/升、毫克/升或微克/升。
- 选择分辨率：0000、000.0、00.00 或 0.000。
- 添加校准点：最少 2 个且最多 12 个校准点。^{*} 选择“编辑·1 号标准液”并输入一号标准液浓度值。按 **完成**。
注： 哪声表示浓度与先前输入的标准液相同，或浓度对于所选分辨率而言太高。输入其他值并继续。

^{*} 如果已知曲线为线性，则仅需要两个浓度数据点（如一个为零吸光度的标准液，另一个已知标准液）。使用其他数据点以确认线性度或定义非线性曲线。

8. 输入吸光度值:

选项	说明
手动编辑 ABS	使用导航键以手动输入吸光度值。
自动编辑 ABS	<ol style="list-style-type: none">将空白的样品池放入样品池架并按零。将准备的样品放入样品池架并按读取。按完成。

注: 嘟声表示吸光度与先前输入的标准液相同, 或吸光度位于两个之前的标准液之间。输入其他值并继续。

9. 按完成。

10. 选择“添加校准点”。

11. 如步骤 7-9 中所述, 输入其他校准点。

12. 选择保存用户程序。

编辑用户程序

编辑存储的用户程序:

1. 选择主页>喜爱程序/用户程序。

2. 选择适用的程序并按选项。

3. 按编辑。

4. 按照屏幕提示以编辑过程。

删除一个用户或一个喜爱程序

如果所存储的用户或喜爱程序不再使用, 可将其删除。

1. 选择主页>选项>喜爱程序/用户程序。

2. 突出显示适用的程序并按选项>删除, 然后按照屏幕提示操作。

仪器信息

仪器信息菜单将显示特定信息, 如仪器名称、序列号、软件版本、数据库版本、已用内存和程序可用性。按**设置>设置>仪器信息**。

设置密码

密码设置选项用于防止访问受限制的菜单。

注: 如果忘记指定的密码且“安全选项”已启用, 操作人员将无法访问受限制的菜单。如果忘记密码, 请联系技术支持。

1. 按设置>设置>密码设置。

2. 选择选项。

选项	说明
密码设置	选择“开启”或“关闭”以开启或关闭密码保护。
受保护项目	显示受保护项目列表: 编辑操作人员编号、编辑样品编号、编辑用户程序、日期和时间、升级固件、升级方法、语言及编辑喜爱程序列表。

设置显示和声音

使用显示选项以更改显示对比度、电池自动关闭选项或背光选项。使用声音选项, 设置按下按键或完成读数时的声音。

1. 按设置>设置>显示和声音>显示选项。

2. 选择选项。

选项	说明
对比度	调整显示对比度。最亮设置为 0, 而最暗设置为 9。缺省: 5
自动关闭	要最大限度地延长电池的寿命, 请设置一段时间之后, 如果未按下任何键, 仪器将自动关闭 (5、10、15、20、30 分钟、1 小时、2 小时或禁用)。缺省: 10 分钟
背光	当按下 背光 时, 显示背光将设置为开。设置一段时间之后, 如果未按下任何键, 背光将自动关闭 (10、20、30 秒、1、2、5、10 分钟或禁用)。缺省: 1 分钟

3. 按**设置>设置>显示和声音>声音**。

4. 选择选项。

选项	说明
按键	当按下按键时，仪器将发出声音。缺省：关
完成读数	当完成读数时，仪器将发出声音。缺省：开

USB 主菜单

如果仪器通过 USB 电缆连接到计算机，则会打开 USB 主菜单。从 USB 主菜单更新软件、导出或导入程序或导出数据日志和事件日志。

更新固件

在产品网站上查找固件升级文件或联系仪器供应商。将网站上的文件保存到计算机。

1. 将仪器设置为开，并将 USB 电缆连接到仪器和计算机。随即显示 USB 主菜单提示。
2. 选择**更新 DR900**。
仪器在计算机中显示为 USB 驱动器。打开文件夹。
3. 将文件 DR900.bin 复制到打开的文件夹。
4. 按**确定**。
5. 更新完成后，按**确定**。
6. 选择**断开 USB**，按**确定**，然后断开 USB 电缆。
7. 按**确定**。
8. 重新启动仪器。

管理程序

使用“管理程序”功能，可以导出和/或导入用户程序，且可以导入新工厂程序。

1. 将仪器设置为开，并将 USB 电缆连接到仪器和计算机。随即显示 USB 主菜单提示。

2. 选择**管理程序**，然后选择一个选项：

选项	说明
导出用户程序	将所有用户程序导出至计算机以进行存储，或将用户程序移至另一个 DR 900。
导入用户程序	通过计算机用另一个 DR 900 中的用户程序替换所有用户程序。
导入工厂程序	从制造商网站导入新工厂程序。

仪器在计算机中显示为 USB 驱动器。打开文件夹。

3. 将导出文件从驱动器复制到计算机，或将导入文件从计算机复制到驱动器。
4. 按**确定**。
5. 转移完成后，选择**断开 USB**，然后断开 USB 电缆。
6. 按**确定**。

导出数据日志

事件日志和数据日志可以导出至计算机。事件日志包含日期、时间、事件编号、参数和相关操作的配置说明。样品测量值可手动或自动存储在数据日志中。请参阅 [选择高级程序选项](#) 第 72。

1. 将仪器设置为开，并将 USB 电缆连接到仪器和计算机。随即显示 USB 主菜单提示。
2. 选择**导出数据日志**。
仪器在计算机中显示为 USB 驱动器。打开文件夹。
3. 将导出文件（DR900_DataLog.csv 和 DR900_EventLog.csv）复制并保存到计算机。
4. 按**确定**。
5. 将文件复制到计算机后，选择**断开 USB**，然后断开 USB 电缆。
6. 按**确定**。

维护

警告



多种危险。只有合规的专业人员才能从事文件中本部分所述的任务。

清洁仪器

使用湿布和温和的肥皂液清洁仪器的外部，然后擦干。

清洁样品池

警告



存在化学品暴露风险。遵守实验室安全规程，穿戴适用于所处理化学品的所有个人防护装备。有关安全协议，请参阅当前安全数据表 (MSDS/SDS)。

警告



化学品暴露风险。请遵循地方、区域和国家法规处置化学品和废弃物。

按建议的浓度使用大多数实验室清洁剂。如果需要定期清洁，请使用 **Liquinox** 等中性清洁剂更安全。如要减少清洁次数，请增加温度或使用超声波清洗器。如要结束清洁，请用去离子水冲洗数次，并让样品池自然风干。

也可以用酸清洁样品池，然后用去离子水冲洗样品池。

注： 请始终用酸清洁低含量金属测试用样品池。

对于个别程序需要使用特殊清洁方法。用刷子清洁样品池时，请格外小心，避免对样品池内表面造成划痕。

更换电池

警告



爆炸危险。过期电池可能导致仪器内部氢气积聚。请在电池过期之前将其更换，并且切勿将装有电池的仪器长时间存放。

警告



火灾危险。不得使用替代电池。仅限使用碱性电池。

注意

确保将螺钉拧紧到 1–1.4 N·m (9–12 in·lb)，以便正确地密封安装外壳，并保持外壳的防护等级。


有关电源更换，请参阅 [安装电池](#) 第 68。

故障排除

错误代码	可能的原因	解决方案
1	仪器未配置。	请联系技术支持。
2	无法读取程序数据	
3	无法写入程序数据	
4	电池错误	更换电池。
5	测量期间发生 A/D 错误	请联系技术支持。
6	测量期间发生偏移错误	确保已正确安装仪器盖。

错误代码	可能的原因	解决方案
7	测量期间发生低亮度错误	<ul style="list-style-type: none"> • 确保不存在光路堵塞。 • 零位超出仪器范围 • 请联系技术支持。
8	测量期间超出范围错误、可能存在光阻挡或浓度过高	<ul style="list-style-type: none"> • 确保不存在光路堵塞，且所测溶液浓度没有超过程序应用范围。 • 确保已正确安装仪器盖。 • 请联系技术支持。

更换部件与附件

▲ 警告	
	人身伤害危险。使用未经批准的部件可能造成人身伤害、仪器损坏或设备故障。本部分中的更换部件均经过制造商的批准。

注 一些销售地区的产品和物品数量可能有所不同。请与相关分销商联系或参阅公司网站上的联系信息。

更换部件

说明	物品编号
适配器组件、COD	4846400
电池组，AA 碱性电池（4 节）	1938004
25 x 95 mm、10-20-25 mL 带盖样品池（6 个）	2401906
1 cm/10 mL 带盖样品池（2 个）	4864302
USB 电缆	LZV818

配件

说明	物品编号
样品池盖，适用于 25 x 95 mL 样品池	2401812
硬边装载盒	4942500
含肩带的软边装载盒	2722000
便携式实验室硬边装载盒	4943000
DR/Check™ 吸光度标准	2763900
仪器盖，DR 900	9390500

目次

仕様 ページの 78	標準操作 ページの 85
総合情報 ページの 78	高度な操作 ページの 87
設置 ページの 81	メンテナンス ページの 90
ユーザーインターフェースとナビゲーション ページの 83	トラブルシューティング ページの 91
スタートアップ ページの 84	交換パーツとアクセサリ ページの 91

仕様

この仕様は予告なく変更されることがあります。

仕様	詳細
測定モード	透過率(%), 吸光度(Abs)および濃度(Conc)
寸法 (W × D × H)	23.6 x 8.7 x 4.7 cm(9.3 x 3.4 x 1.9 インチ)
筐体保護等級	IP67
重量	0.6 kg (1.3 lb)
電源	AA アルカリバッテリー(4x)
バッテリー寿命	バックライトない場合週 1 日 5 回の読み取りで 6 カ月 (標準)
インターフェース	USB ミニ
動作周囲温度	0~50 °C (32~122 °F)、最大 90%相対湿度、結露なし
保管温度	-30~60 °C (-22~140 °F)、最大 90%相対湿度、結露なし
光源ランプ	発光ダイオード(LED)
検出器	シリコンフォトダイオード
波長範囲	420、520、560、610 nm
光度測定範囲	0-2 吸光度

仕様	詳細
波長精度	±1 nm
測光精度	吸光度 1.0 (公称) で吸光度±0.005
測光直線性	吸光度±0.002 (吸光度 0~1)
波長選択	自動、メソッド選択ベース
測光再現性	吸光度±0.002 (吸光度 0~1)
データ読み出し	グラフィカルディスプレイ、240 x 160 ピクセル (逆光)
試料セル	16 mm、1 cm/10 mL、1-インチ (25 mm) 周囲
保護クラス	Class III
認証	CE 認証
保証	1 年

総合情報

いかなる場合も、製造元は、例えそのような損害が生じる可能性について報告を受けていたとしても、本マニュアルに含まれるいかなる瑕疵または脱落から生じる直接的、間接的、特定、付随的または結果的に生じる損害に関して責を負いません。製造元は、通知または義務なしに、随時本マニュアルおよび製品において、その記載を変更する権利を留保します。改訂版は、製造元の Web サイト上にあります。

安全情報

告知

メーカーは、本製品の目的外使用または誤用に起因する直接損害、偶発的損害、結果的損害を含むあらゆる損害に対して、適用法で認められている範囲で一切責任を負わないものとします。ユーザーは、適用に伴う危険性を特定したり、装置が誤作動した場合にプロセスを保護するための適切な機構を設けることに関して、全責任を負うものとします。

この機器の開梱、設定または操作を行う前に、このマニュアルをすべてよく読んでください。危険および注意の注意事項に注意を払ってください。

い。これを怠ると、オペレータが重傷を負う可能性、あるいは機器が損傷を受ける可能性があります。



本装置に備わっている保護機能が故障していないことを確認します。本マニュアルで指定されている以外の方法で本装置を使用または設置しないでください。





危険情報の使用

▲ 危険
回避しなければ死亡または重傷につながる、潜在的または切迫した危険な状況を示します。
▲ 警告
避けない場合、死亡事故や負傷が起こるかも知れない危険な状況を示します。
▲ 注意
軽傷または中傷事故の原因となる可能性のある危険な状況を示しています。
告知
回避しなければ、装置の損傷を引き起こす可能性のある状況を示します。特に注意を要する情報。

使用上の注意ラベル

装置に取り付けてあるラベルとタグをすべてお読みください。これを怠ると、人身傷害や装置の損傷につながるおそれがあります。測定器に記載されたシンボルについては、使用上の注意が記載されたマニュアルを参照してください。

	このシンボルが測定器に記載されている場合、操作上の指示マニュアル、または安全情報を参照してください。
	このシンボルは、爆発の危険性があることを示します。

	このシンボルは、火災の危険性があることを示しています。
	このシンボルは、化学的危険性を有していることを示します。この場合、相応の資格をもち、化学物質をとまなう業務における訓練を受けた者のみに化学物質の取り扱いまたは測定器に連結中の化学物質供給システムのメンテナンス作業実施が許されます。
	このシンボルは目の保護具が必要であることを示します。
	このシンボルが表示された電気機器は、欧州廃棄システムにより2005年8月12日以降の廃棄処分が禁じられています。欧州地域規制および国内規制 (EU 指令 2002/96/EC) に従い、欧州の電気機器ユーザーは古くなったまたは使い切った機器をメーカーに無償返却する必要があります。 注: リサイクル用にご返却になる場合には、機器メーカーまたは供給者にご連絡の上、使い切った機器、メーカー供給による電気アクセサリおよび予備品を適切に処分するための返却方法をご確認ください。

取得認証

カナダの障害発生機器規則、IECS-003、クラス A:

テスト記録のサポートはメーカーにあります。

このクラス A デジタル装置はカナダの障害発生機器規則の要件をすべて満たします。

Cet appareil numérique de classe A répond à toutes les exigences de la réglementation canadienne sur les équipements provoquant des interférences.

FCC PART 15、クラス「A」 限度値

テスト記録のサポートはメーカーにあります。この機器は FCC 規則のパート 15 に準拠します。運転は以下の条件を前提としています:

1. この装置が有害な干渉の原因とならないこと。
2. この装置が望ましくない動作の原因となる可能性のあるいかなる干渉にも対応しなければなりません。

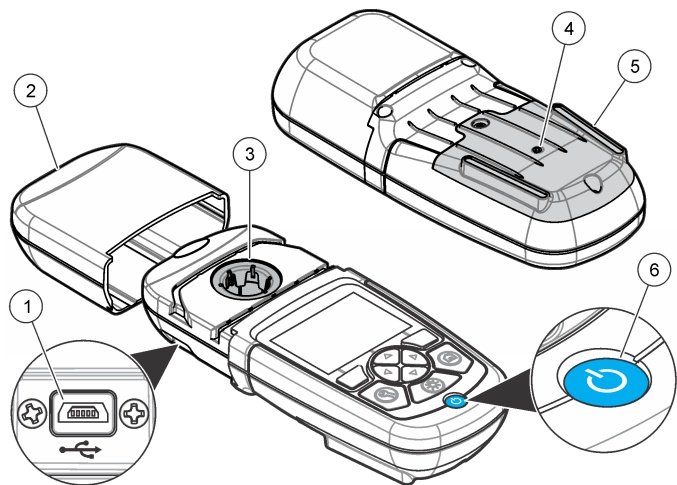
これらの規格への準拠に責任を持つ当事者による明示的承認を伴わずにこの装置に対する改変または改造を行うと、ユーザーはこの機器を使用する権限を失う可能性があります。この装置は、FCC 規則のパート 15 に従って、クラス A のデジタル機器の制限に準拠することが試験によって確認されています。これらの制限は、この機器が商用の環境で使用されたときに、有害な干渉から適切に保護することを目的に設定されています。この機器は、無線周波数エネルギーを生成および使用するもので、取り扱い説明書に従って取り付けおよび使用しない場合にはそれを放射する場合があります、無線通信に対して有害な干渉を発生させる可能性があります。住宅地域における本装置の使用は有害な電波妨害を引き起こすことがあり、その場合ユーザーは自己負担で電波妨害の問題を解決する必要があります。以下の手法が干渉の問題を軽減するために使用可能です。

1. 装置から電源を取り外して、電源が干渉源かどうかを確認します。
2. 装置が干渉を受けている装置と同じコンセントに接続されている場合は、装置を別のコンセントに接続してください。
3. 妨害を受けている装置から本装置を離します。
4. 干渉を受けるデバイスの受信アンテナの位置を変更します。
5. 上記の手法を組み合わせてみます。

製品の概要

DR 900 は 420、520、560 および 610 nm の波長で測定するポータブルで、LED 光源の比色計です。装置は飲料水、廃水および産業用途での様々なパラメータを測定するために使用します。装置は保存プログラムの完全なセット（事前インストール済みメソッド）およびユーザープログラムストレージとお気に入りプログラム選択の可用性と共に提供されます。図 1 を参照してください。

図 1 機器の概要

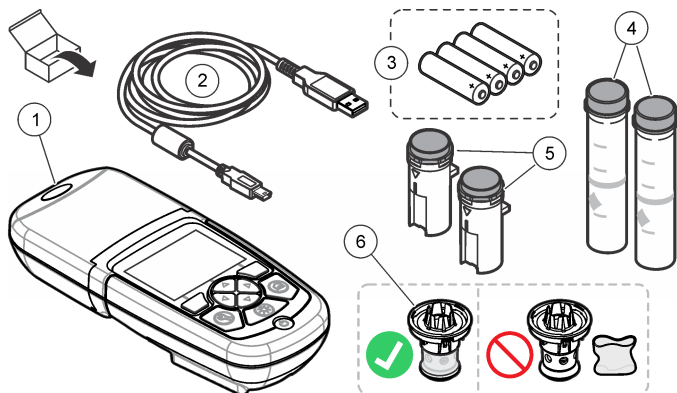


1 USB ポート	4 ベント
2 装置キャップ	5 バッテリー コンパートメント
3 セルコンパートメント	6 電源キー

製品コンポーネント

すべてのコンポーネントが正しく納品されていることを確認します。図 2 を参照してください。任意の項目が欠落または損傷している場合は、装置サプライヤーまたはセールス担当者に直ちにご連絡ください。

図2 製品コンポーネント



1 DR 900	4 ガラス試料セル、1-インチ (25 mm) 周囲、10、20、25-mL マーク (2x)
2 ミニ USB コネクター付き USB ケーブル	5 試料セル、1 cm/10 mL (2x)
3 AA アルカリバッテリー	6 試料セルアダプター

設置

▲ 警告



複合的な危険。本書のこのセクションに記載されている作業は、必ず資格のある要員が行う必要があります。

告知

使用中または保管時に、装置のバッテリーベントを塞がないようにしてください。

バッテリーの取り付け

▲ 警告



爆発の危険。バッテリーを正しく入れないと、爆発性ガスが発生する可能性があります。バッテリーが指定の化学型であり3本とも同じ型であることと、正しい方向に入れられていることを確認してください。新しいバッテリーと古いバッテリーを混ぜて使用しないでください。

▲ 警告



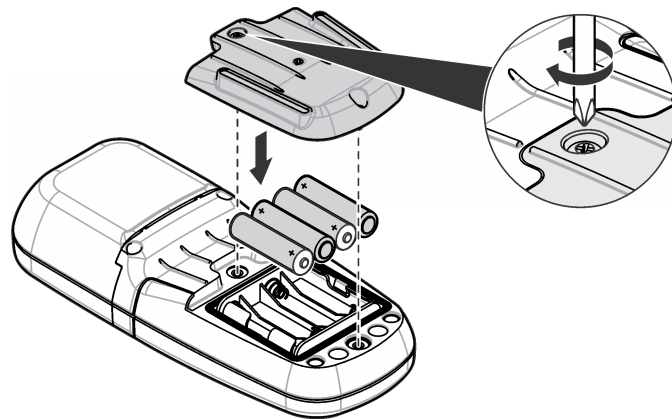
火災の危険。バッテリーの代用は許可されません。アルカリバッテリーのみ使用してください。

告知

ネジを1～1.4 N・mで締めて正しく密閉し、エンクロージャの環境格付けを維持してください。

装置は4つのAAアルカリバッテリーを装備しています。バッテリーが正しい方向に取り付けられていることを確認します。バッテリーの取り付けに関しては図3を参照してください。

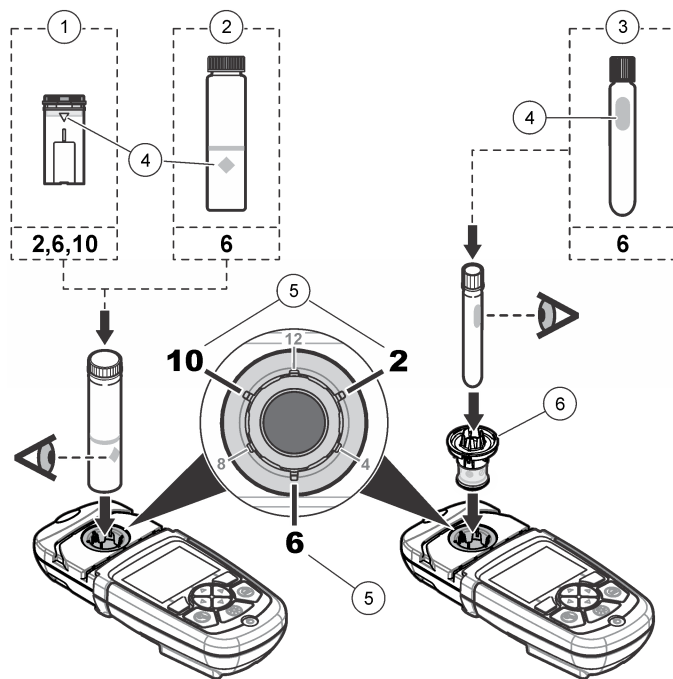
図3 バッテリーの取り付け



試料セルとセルアダプターを取り付けます。

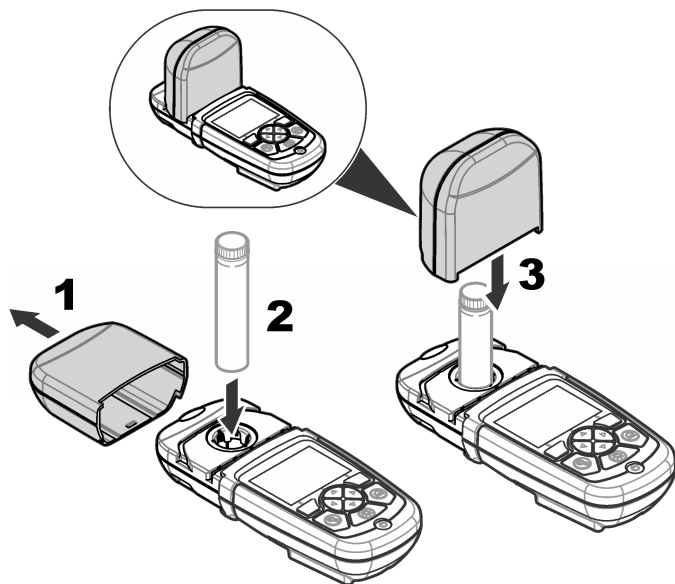
装置には別の試料セルタイプのように1つのアダプターを使用できる1つのセルコンパートメントがあります。試料セルの測定結果の再現性がさらにより正確になるように常に正しい方向に取り付けるようにします。図4を参照してください。装置ゼロが設定される前または光干渉を避けるために測定を行う前に装置キャップを閉じます。図5を参照してください。

図4 試料セルの方向



1 1-cm/10-mL プラスチック試料セル	4 方向目印
2 1-インチ(25 mm)ガラス試料セル	5 方向位置 (時計回り)
3 16-mm ガラステストバイアル	6 試料セルアダプター

図 5 試料セルと装置キャップの取り付け

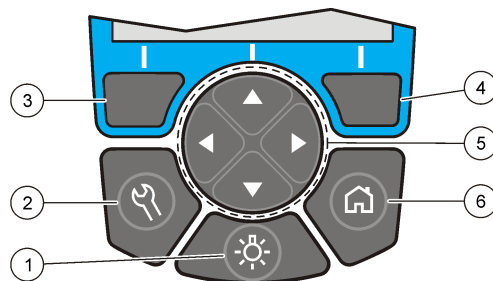


ユーザインターフェースとナビゲーション

キーパッドの説明

キーパッドの説明およびナビゲーション情報に関しては図 6 を参照してください。

図 6 キーパッドの説明



1 バックライト：ディスプレイの照明をオンまたはオフに設定する	4 右選択キー（コンテキスト）：試料を読み取る。オプションを選択またはは確定したり、サブメニューを開く
2 設定：設定オプション ¹	5 ナビゲーションキー、上、下、右、左：メニューをスクロールして、数字と文字を入力する ²
3 左選択キー（コンテキスト）：オプションにアクセスする。現在のメニュー画面をキャンセルまたは終了して前の画面に戻る	6 ホーム/オプション：メイン読み取り画面 ¹ に移動してプログラム、データ管理を選択する

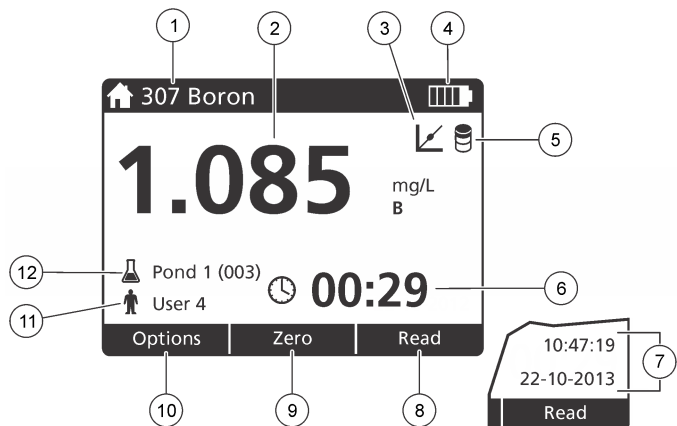
¹ 編集モード中、キーは操作しません。

² 上または下キーを保持したままにすると速くスクロールします。左または右キーを押すとページ単位でスクロールします。

ディスプレイの説明

読み取り画面に選択したモード、単位、日付と時刻、オペレータ ID および試料 ID が表示されます。図 7 を参照してください。

図 7 シングル画面表示



1 プログラム名と番号	7 日付と時刻
2 測定値、単位、化学形態、測定範囲未満「---」、測定範囲超過「+++」	8 読み取り (コンテキスト: 完了、選択、開始、OK)
3 標準調整アイコン	9 ゼロ (コンテキスト: ナビゲーション上矢印キー)
4 バッテリステータス	10 オプション (コンテキスト: 戻る、キャンセル)
5 試薬ブランクアイコン	11 オペレータ ID
6 タイマー	12 試料 ID

ナビゲーション

装置には様々なオプションを変更するためのメニューがあります。ナビゲーションキー上、下、右および左矢印を使用して別のオプションをハイライトします。右選択キーを押してオプションを選択します。ナビゲーションキーでオプション値を入力します。ナビゲーションキー上、下、右および左矢印を押して値を入力するかまたは変更します。右矢印を押して次のスペースに進みます。右選択キー (完了の下にある) を押して

値を承諾します。左選択キーを押して現在のメニュー画面を終了して前の画面に戻ります。

スタートアップ

装置をオンまたはオフに設定する

電源キーを押して装置を押します。装置の電源がオン出ない場合、バッテリーが正しく取り付けられていることを確認します。

言語設定

言語設定には2つのオプションがあります。

- 装置を最初にオンに設定する場合ディスプレイの言語を設定します。
- 設定メニューから言語を設定します。

1. 設定>設定>言語を押します。
2. リストから言語を選択します。

日付と時刻の設定

日付と時刻の設定には2つのオプションがあります。

- 装置が最初にオンに設定されている場合日付と時刻を設定します。
- 日付と時刻メニューから日付と時刻を設定します。

1. 設定>設定>日付と時刻を押します。
2. 日付の形式を押して日付と時刻の形式を選択します。
3. 日付と時刻を押します。
4. ナビゲーションキーを使用して現在の日付と時刻を入力してから完了を押します。

標準操作

プログラムリスト

装置は完全なシリーズのアプリケーションプログラムと共に納品されません。プログラムの説明については表 1 を参照してください。

表 1 プログラムの複数オプション

プログラムのオプション	説明
保存プログラム	保存プログラムは向上出荷時にインストールされており、事前プログラミング済みメソッドです。保存プログラムを選択します。ページの 85 を参照してください。
ユーザプログラム	メソッドは開発でき、ユーザプログラムとして保存できます。 ¹ ユーザプログラム ページの 87 を参照してください。
お気に入り	頻繁に使用するメソッドはお気に入りリストに保存できます。 ¹

¹ 最大 10 のメソッド (ユーザプログラムおよびまたはお気に入り) が保存できます。

保存プログラムを選択します。

1. ホーム>オプション>すべてのプログラムを押します。
2. 適用可能なメソッドを選択して開始を押します。
3. オプション>お気に入りに追加を選択してより高速にアクセスできるように選択したメソッドをお気に入りに追加します。

基本プログラムオプションの選択

プログラムを選択した場合、追加のパラメーターオプションが使用可能です。

1. オプションを押してオプションメニューにアクセスします。

2. 適用可能なオプションを選択します。

オプション	説明
開始タイマー	事前設定タイマーを選択するかまたは手動タイマーを設定して分析のステップが正しく時限 (例えば、反応時間または待機時間は正確に規定できます) されていることを確認します。タイマーがオンの場合、タイマーアイコンがディスプレイに表示されます。装置は時間が過ぎた場合可聴音を鳴らします。事前設定タイマー 1 つ以上の保存手順に対して適用可能な事前設定タイマーを選択して開始を押します。タイマー (手動) ナビゲーションキーで適用可能なタイマーを入力して完了を押します。既定値 = 00:00
お気に入り/ユーザプログラム	保存お気に入りにまたはユーザプログラムリストから選択します。詳細は、お気に入りにまたはユーザプログラムの選択 ページの 87 を参照してください。
すべてのプログラム	リストから事前プログラム済みメソッドを選択します。
データログ	すべての保存済み読み取り値を表示します。詳細は、データログ ページの 87 を参照してください。
お気に入りに追加	頻繁に使用する保存プログラムとユーザプログラムをお気に入りにリストに保存します。プログラムをお気に入りに追加 ページの 87 を参照してください。
%透過率/吸光度/濃度	%透過率、吸光度または濃度読み取り値に切り替えます。透過率読み取り値(%)—試料を通過または検出器に到着する元の光のパーセントを読み取ります。吸光度読み取り値—試料により吸収される光が吸収単位で読み取られます。濃度読み取り値—測定吸収値はプログラム特定の保存式で濃度値に変換されます。
詳細オプション	詳細オプションを使用してさらに多くのパラメーターを規定します。詳細なプログラムオプションの選択 ページの 86 を参照してください。
保存	自動保存がオフに設定されている場合最終読み取り値を手動で保存します。

詳細なプログラムオプションの選択

すべてのプログラムには様々な追加の詳細オプションがあり選択できます。

1. オプションを押して**オプション>詳細オプション**にアクセスします。
2. 詳細オプションを使用してパラメーターをさらに規定します。

オプション	説明
自動保存	オンとオフ間を切り替えます。オプションがオフに設定されている場合すべての読み取りは自動的に保存されます。オプションがオンに設定されている場合すべての読み取りは手動で保存できます。
化学形態	一部の工場出荷時のインストール済みメソッドに関しては別の化学形態および関連測定範囲を選択します。
試薬ブランク	試薬ブランク修正は一部の工場出荷時のインストール済みメソッドで使用できます。試料として脱イオン水を使用した完了済み試験結果を入力します。ブランク値は試薬による背景色を修正するためにすべての結果から差し引かれます。標準調整オプションを使用する前にブランク修正値を入力します。試験試薬の各新規ロットに対してこの修正を完了します。
標準調整	保存キャリブレーションを変更します。試験範囲の上限に近い濃度で既知の標準で試験を完了します。この機能を使用して標準濃度を調整するために結果を調整します。
プログラムの並べ替え	保存プログラムリストに関してはアルファベットまたは数字プログラム順序を選択します。

オペレータ ID の用法

オペレータ ID タグは個々のオペレータとの測定と関連付けられます。すべての保存データにはこの ID が含まれます。

1. 読み取り画面で**設定>オペレータ ID**を押します。

2. オペレータ ID を選択、作成、または削除します：

オプション	説明
現在の ID	リストから ID を選択します。別の ID を選択するまで現在の ID が試料データに関連付けられます。
新規 ID の作成	新規オペレータ ID の名前を入力します。最大 10 の名前を入力できます。
ID 削除	既存のオペレータ ID をイレースします。

試料 ID の使用

読み取り値を特定の試料または場所と関連付けるために試料 ID タグを使用します。割り当てられると、保存データにはこの ID が含まれます。

1. 読み取り画面で**設定>試料 ID**を押します。
2. オペレータ ID を選択、作成、または削除します。

オプション	説明
現在の ID	リストから ID を選択します。別の ID を選択するまで現在の ID が試料データに関連付けられます。
新規 ID の作成	新規試料 ID に名前を入力します。最大 10 の名前を入力できます。別の ID を選択するまで各測定に対して試料が順番で番号付けされます（例えば、ポンド 1、ポンド 2）。
ID 削除	既存の試料 ID をイレースします。

測定方法

基本的な測定ステップは測定の完了に必要です。すべてのメソッドにはステップバイステップの手順があります。特定の試験を実行するには適用可能なメソッドを参照してください。以下の例は測定を完了するための基本手順です。

1. プログラムメニューから適用可能なプログラム（例えば、保存プログラム、ユーザプログラム、お気に入り）を選択します。
2. 必要があれば、セルアダプターを取り付けます。
3. **スタート**を押して、プログラムを開始します。

4. メソッド文書に従いブランクを準備します。試料セルを閉じて試料セルのオプティカル面をリントフリーのクロスで清掃します。
5. ブランク試料セルをセルコンパートメントに挿入します。ブランク試料セルの測定結果の再現性がさらにより正確になるように常に正しい方向に取り付けるようにします。図 4 ページの 82 を参照してください。
6. 装置キャップを閉じて光干渉を避けます。図 5 ページの 83 を参照してください。
7. **ゼロ**を押します。ディスプレイにゼロの濃度（例えば、mg/L、吸光度、 $\mu\text{g/L}$ ）が表示されます。
8. 試料を準備します。試薬をメソッド文書の規定通りに追加します。
9. **オプション>タイマーの開始**を選択してプログラム内の保存タイマーを使用します。
10. 試料セルを閉じてセルのオプティカル面をリントフリーのクロスで清掃します。
11. 試料をセルコンパートメントに挿入します。試料セルの測定結果の再現性がさらにより正確になるように常に正しい方向に取り付けるようにします。図 4 ページの 82 を参照してください。
12. 装置キャップを閉じて光干渉を避けます。図 5 ページの 83 を参照してください。
13. **読取り**を押します。ディスプレイに測定結果が選択した単位で表示されます。
注: 測定された吸光度が検査の校正範囲を下回る、または上回る場合、「+++」または「---」がディスプレイに表示されます。

データログ

データログはすべての保存読み取り値を表示します。**ホーム>オプション>データログ**を押して読み取り値を調べます。データログのエクスポートについては**データログのエクスポート** ページの 90 を参照してください。

高度な操作

お気に入りまたはユーザプログラムの選択

装置が初めて起動する時お気に入りとユーザプログラムデータベースが空です。より高速にアクセスできるようにメソッドはお気に入りに保存できます。ユーザプログラムは特定のニーズに対してプログラミングできます。

1. **ホーム>オプション>お気に入り/ユーザプログラム>選択**を押します。
2. **新規プログラム**を押して新規ユーザプログラムを作成します。**ユーザプログラム** ページの 87 を参照してください。

プログラムをお気に入りに追加

頻繁に使用する保存プログラムとユーザプログラムはお気に入りに保存できます。

1. **ホーム>オプション>すべてのプログラム**を押します。
2. 適用可能なメソッドを選択して**開始**を押します。
3. **オプション>お気に入りに追加**を選択して、選択したメソッドをお気に入りに追加します。

ユーザプログラム

装置を初めて起動する場合ユーザプログラムデータベースは空です。**新規プログラム**を使用して特定ニーズに対して新規プログラムを作成します。新規ユーザプログラムを作成するには、以下のステップを行います。

1. **ホーム>オプション>お気に入り/ユーザプログラム>選択>新規プログラム**を押します。
2. 使用可能なプログラム番号を 1001 から 1010 まで選択します。
注: 最大 10 のプログラム (ユーザプログラムおよび/またはお気に入り) を保存できます。
3. メソッド名 (最大 12 文字) を入力します。
4. 波長: 420、520、560 または 610 nm を選択します。
5. 単位: なし、 $\mu\text{g/L}$ 、mg/L または g/L を選択します。
6. 分解能: 0000、000.0、00.00 または 0.000 を選択します。

7. キャリブレーションポイント：最小2および最大12のキャリブレーションポイントを追加します。*標準1の編集を選択して最初の標準濃度値を入力します。完了を押します。

注：ピープ音は濃度が前に入力した標準の複製であるかまたは濃度が選択した分解能に対して高すぎることを表します。別の値を入力して続行します。

8. 吸光度値を入力します：

オプション	説明
吸光度(手動)の編集	ナビゲーションキーを使用して吸光度値を手動で入力します。
吸光度(自動)の編集	<ol style="list-style-type: none">1. ブランクをセルホルダーにセットしてゼロを押します。2. 調製済み試料をセルホルダーにセットして読み取りを押します。3. 完了を押します。

注：ピープ音は吸光度が前に入力した標準の複製であるかまたは吸光度が2つの前の標準間にあることを表します。別の値を入力して続行します。

9. **完了**を押します。
10. Cal ポイントの追加を選択します。
11. ステップ7～9で説明されているように追加のキャリブレーションポイントを入力します。
12. ユーザプログラムの保存を選択します。

ユーザプログラムの編集

保存ユーザプログラムの編集：

1. ホーム>オプション>お気に入り/ユーザプログラムを選択します。
2. 適用可能なプログラムを選択して**オプション**を押します。
3. **編集**を押します。
4. 画面のプロンプトに従い手順を編集します。

ユーザプログラムまたはお気に入りのプログラムの削除

プログラムをもう使用しない場合は、保存されているユーザプログラムまたはお気に入りのプログラムを削除します。

1. ホーム>オプション>お気に入り/ユーザプログラムを選択します。
2. 適用可能なプログラムをハイライトして**オプション>削除**を押して画面のプロンプトに従います。

装置情報

装置情報メニューは装置名、シリアル番号、ソフトウェアバージョン、データベースバージョン、メモリー使用量およびプログラムの可用性などの特定情報を表示します。**設定>設定>装置情報**を押します。

パスワード設定

パスワード設定オプションは制限されたメニューへのアクセスを防ぐために使用されます。

注：指定のパスワードを忘れたりセキュリティオプションをオンに設定している場合、オペレータは制限されたメニューからロックアウトされます。パスワードを忘れた場合テクニカルサポートに連絡してください。

1. **設定>設定>パスワード設定**を押します。
2. オプションを選択します。

オプション	説明
パスワード設定	オンまたはオフを選択してパスワード保護をオンまたはオフに設定します。
保護された項目	保護された項目リストを表示します：オペレータ ID 編集、試料 ID 編集、ユーザプログラム編集、日付と時刻、ファームウェアのアップグレード、メソッド、言語のアップグレード、お気に入りリストのアップグレード。

* 曲線が直線とわかっている場合、2つの濃度データポイント（例えば、ゼロ吸光度使用の標準および別の既知標準）のみ必要です。別のデータポイントを使用して直線性を確認するかまたは非直線の曲線を定義します。

ディスプレイとサウンドの設定

ディスプレイオプションを使用してディスプレイコントラスト、バッテリー自動シャットオフオプションまたはバックライトオプションを選択します。キーを押したり読み取りが完了した場合可聴音用のサウンドオプションを使用します。

1. **設定>設定>ディスプレイとサウンド>ディスプレイオプション**を押します。
2. オプションを選択します。

オプション	説明
コントラスト	ディスプレイコントラストの調整。最も明るい設定は0で最も暗い設定は9です。既定値：5
自動シャットオフ	バッテリーの寿命を最大化するにはキーを押さない場合装置の電源を自動的にオフに設定後の時間を設定します(5、10、15、20、30分、1時間、2時間または無効)。既定値：10分
バックライト	バックライトを押す場合ディスプレイバックライトがオンに設定されます。キーを押さない場合バックライトの電源を自動的にオフに設定後の時間を設定します(10、20、30秒、1、2、5、10分または無効)。規定値：1分

3. **設定>設定>ディスプレイとサウンド>サウンド**を押します。
4. オプションを選択します。

オプション	説明
キーストローク	装置はキーを押すと常に可聴音を鳴らします。規定値：オフ
読み取り完了	装置は読み取りが完了すると常に可聴音を鳴らします。規定値：オン

USB メインメニュー

装置が USB ケーブルでコンピュータに接続されている場合、USB メインメニューが開きます。USB メインメニューからソフトウェアを更新、プログラムのエクスポートまたはインポートあるいはデータログおよびイベントログをエクスポートします。

ファームウェアの更新

製品ウェブサイトでファームウェアのアップグレードファイルを検索するか装置サプライヤーに連絡してください。ウェブサイトからコンピュータにファイルを保存します。

1. 装置をオンに設定して USB ケーブルを装置装置とコンピュータに接続します。
USB メインメニューがプロンプトします。
2. **DR900 の更新**を選択します。
装置は USB ドライブをコンピュータに表示します。フォルダを開きます。
3. ファイル DR900.bin を開いているフォルダにコピーします。
4. **Ok** を押します。
5. 更新が完了した場合、**Ok** を押します。
6. **USB 接続解除**を選択して **Ok** を押し USB ケーブルを接続解除します。
7. **Ok** を押します。
8. 装置を再起動します。

プログラムの管理

プログラムの管理機能で、ユーザプログラムをエクスポートおよび/またはインポートしたりでき新規出荷時プログラムをインポートできます。

1. 装置をオンに設定して USB ケーブルを装置装置とコンピュータに接続します。
USB メインメニューがプロンプトします。
2. **プログラムの管理**を選択してオプションを選択する：

オプション	説明
ユーザプログラムのエクスポート	すべてのユーザプログラムをストレージ用のコンピュータにエクスポートするかまたはユーザプログラムを別の DR 900 に移動します。
ユーザプログラムのインポート	すべてのユーザプログラムをコンピュータを介して別の DR 900 のユーザプログラムと交換します。
出荷時プログラムのインポート	新規出荷時プログラムを製造元ウェブサイトからインポートします。

装置は USB ドライブをコンピュータ上に表示します。フォルダを開きます。

3. エクスポートファイルをドライブからコンピュータにコピーするかまたはインポートファイルをコンピュータからドライブにコピーします。
4. **OK** を押します。
5. トランスファーが完了すると **USB 接続解除** を選択して USB ケーブルを接続解除します。
6. **OK** を押します。

データログのエクスポート

イベントログとデータログをコンピュータにエクスポートできます。イベントログには日付、時間、イベント番号および構成関連のアクションの説明が含まれます。試料測定はデータログに手動または自動で保存されます。 [詳細なプログラムオプションの選択](#) ページの 86 を参照してください。

1. 装置をオンに設定して USB ケーブルを装置装置とコンピュータに接続します。
USB メインメニューがプロンプトします。
2. **データログのエクスポート** を選択します。
装置がコンピュータ上に USB ドライブとして表示します。フォルダを開きます。
3. エクスポートファイル (DR900_DataLog.csv と DR900_EventLog.csv) をコンピュータにコピーして保存します。
4. **OK** を押します。
5. ファイルをコンピュータにコピーする場合、**USB の接続解除** を選択して USB ケーブルを接続解除します。
6. **OK** を押します。

メンテナンス

▲ 警告



複合的な危険。本書のこのセクションに記載されている作業は、必ず資格のある要員が行う必要があります。

装置の清掃

装置の表面を湿らせた布と中性石鹼液で洗浄し、乾燥するよう拭き取ります。

試料セルの洗浄

▲ 注意



化学物質による人体被害の危険。検査室の安全手順に従い、取り扱う薬品に適した個人用保護具をすべて装着してください。安全手順に関する現在の安全性データシート(MSDS/SDS)を参照してください。



▲ 注意



化学物質による人体被害の危険。化学物質および廃液は、地域、県、または国の環境規制に従って廃棄してください。

ほとんどの検査室用洗剤が推奨濃度で使用できます。定期的な洗浄が必要な場合、Liquinox などの自然洗剤の方が安全に使用できます。洗浄回数を減らすには、温度を上げるか超音波バスを使用します。洗浄を完了するには、脱イオン水で数回洗い試料セルを空気乾燥します。試料セルは酸で洗浄後、脱イオン水で十分洗うこともできます。

注: 低レベルの金属試験に使用された試料セルの洗浄には、常に酸を使用します。

個別の手順には特殊洗浄方法が必要です。試料セルの洗浄にブラシを使用する場合、試料セルの内部表面を傷つけないように特に注意が必要です。

バッテリーの交換

▲ 警告



爆発の危険。期限切れのバッテリー取り付けただまにしておくと、装置内部に水素ガスが蓄積する場合があります。バッテリーは有効期限が切れる前に交換してください。また、装置にバッテリーを取り付けただま長期間保管しないでください。

▲ 警告



火災の危険。バッテリーの代用は許可されません。アルカリバッテリーのみ使用してください。

告知

ネジを 1 ~ 1.4 N・m で締めて正しく密閉し、エンクロージャの環境格付けを維持してください。

バッテリーの交換については**バッテリーの取り付け** ページの 81 を参照してください。

トラブルシューティング

エラーコード	考えられる原因	対処方法
1	装置は構成されていません。	テクニカルサポートに連絡してください。
2	プログラムデータを読み取りできませんでした。	
3	プログラムデータを書き込みできませんでした。	
4	バッテリーエラー	バッテリーの交換。
5	測定中 A/D エラー	テクニカルサポートに連絡してください。
6	測定中エラーのオフセット	装置キャップが正しく取り付けられていることを確認します。

エラーコード	考えられる原因	対処方法
7	測定中低ライトエラー	<ul style="list-style-type: none">ライトパス閉塞がないことを確認します。ゼロは装置範囲外ですテクニカルサポートに連絡してください。
8	測定中オーバーレンジエラー、考えられるライト閉塞または濃度が高すぎます	<ul style="list-style-type: none">ライトパス閉塞がなく濃度がプログラムに対して高すぎないことを確認します。装置キャップが正しく取り付けられていることを確認します。テクニカルサポートに連絡してください。

交換パーツとアクセサリ

▲ 警告



負傷の危険。未承認の部品を使用すると、負傷、装置の破損、または装置の誤作動を招く危険性があります。このセクションでの交換部品は、メーカーによって承認済みです。

注: プロダクト番号とカタログ番号は、一部の販売地域では異なる場合があります。詳細は、取り扱い販売店にお問い合わせください。お問い合わせ先については、当社の **Web サイト** を参照してください。

交換パーツ

説明	アイテム番号
アダプター、アセンブリー、COD	4846400
バッテリーセット、AA アルカリバッテリー(4x)	1938004
キャップ付き試料セル、25 x 95 mm, 10-20-25 mL (6x)	2401906
キャップ付き試料セル、1 cm/10 mL (2x)	4864302
USB ケーブル	LZV818

アクセサリ

説明	アイテム番号
キャップ、試料セル、25 x 95 mL セル用	2401812
キャリーケース、ハードサイデッド	4942500
キャリーケース、肩ひも付きソフトサイデッド	2722000
キャリーケース、検査室用ポータブル	4943000
DR/Check™ 吸光度標準	2763900
装置キャップ, DR 900	9390500

목차

사양 페이지의 93	표준 작동 페이지의 100
일반 정보 페이지의 93	고급 작동 페이지의 102
설치 페이지의 96	유지관리 페이지의 105
사용자 인터페이스 및 탐색 페이지의 98	문제 해결 페이지의 106
시작 페이지의 99	교체 부품 및 부속품 페이지의 106

사양

사양은 사전 예고 없이 변경될 수 있습니다.

사양	세부 사항
측정 모드	투과율(%), 흡광도(Abs) 및 농도(Conc)
치수 (W x D x H)	23.6 x 8.7 x 4.7 cm (9.3 x 3.4 x 1.9 in.)
케이스 등급	IP67
무게	0.6 kg(1.3 파운드)
전원 요구 사항(내부)	AA 알카라인 배터리(4 개)
배터리 수명	백라이트 없이 주 5 일당 하루 5 회 판독 시 6 개월(일반적)
인터페이스	USB 미니
작동 온도	0 ~ 50 °C(32 ~ 122 °F), 최대 90% 상대 습도, 비응축
보관 온도	-30 ~ 60 °C(-22 ~ 140 °F), 최대 90% 상대 습도, 비응축
광원	발광 다이오드(LED)
검출기	실리콘 광다이오드
파장 범위	420, 520, 560, 610 nm
흡광 측정 범위	0-2 Abs
파장 정확도	±1 nm

사양	세부 사항
흡광 정확도	1.0 Abs 에서 ±0.005 Abs(공칭)
흡광 직선성	±0.002 Abs(0-1 Abs)
파장 선택	자동(측정법 선택을 기준으로 함)
광도계 재현성	±0.002 Abs(0-1 Abs)
데이터 표시	그래픽 디스플레이, 240 x 160 픽셀(백라이트)
샘플 셀	16 mm, 1 cm/10 mL, 1 인치(25 mm) 둥근 모양
보호 등급	Class III
인증	CE 인증
보증	1 년

일반 정보

제조업체는 본 설명서에 존재하는 오류나 누락에 의해 발생하는 직접, 간접, 특수, 우발적 또는 결과적 손해에 대해 어떠한 경우에도 책임을 지지 않습니다. 제조업체는 본 설명서와 여기에 설명된 제품을 언제라도 통지나 추가적 책임 없이 변경할 수 있습니다. 개정본은 제조업체 웹 사이트에서 확인할 수 있습니다.

안전 정보

주의사항

제조사는 본 제품의 잘못된 적용 또는 잘못된 사용으로 인한 직접, 우발적 또는 간접적 손해에 국한하지 않는 모든 손해에 대한 어떠한 책임도 지지 않으며, 관계 법령이 최대한 허용하는 손해에 관한 면책이 있습니다. 사용자는 사용상 중대한 위험을 인지하고 장비 오작동이 발생할 경우에 대비하여 적절한 보호 장치를 설치하여야 합니다.

장치 포장을 풀거나 설치하거나 작동하기 전에 본 설명서를 모두 읽으십시오. 모든 위험 및 주의사항 설명에 유의하시기 바랍니다. 이를 지키지 않으면 사용자가 중상을 입거나 장치가 손상될 수 있습니다.




본 장치의 보호 기능이 손상되지 않도록 본 설명서에서 설명하는 방법이 아닌 다른 방법으로 본 장치를 사용하거나 설치하지 마십시오.




위험 정보 표시

▲ 위험
방지하지 않을 경우 사망 또는 심각한 부상이 일어나는 잠재적 또는 즉각적 위험 상황을 의미합니다.
▲ 경고
피하지 않을 경우에 사망이나 심각한 부상을 유발할 수 있는 잠재적 위험이나 긴급한 위험 상황을 나타냅니다.
▲ 주의
경미하거나 심하지 않은 부상을 초래할 수 있는 잠재적으로 위험한 상황을 경고합니다.
주의사항
피하지 않으면 기기에 손상을 일으킬 수 있는 상황을 나타냅니다. 특별히 강조할 필요가 있는 정보.

주의 경고 라벨

본 기기에 부착된 모든 라벨 및 태그를 참조하시기 바랍니다. 지침을 따르지 않을 경우 부상이나 기기 손상이 발생할 수 있습니다. 기기에 있는 기호는 주의사항에 대한 설명과 함께 설명서에 언급됩니다.

	본 심볼은 작동 및 안전 주의사항에 대한 지침서를 뜻합니다.
	본 심볼은 폭발 위험이 있음을 나타냅니다.
	본 심볼은 화재 위험이 있음을 나타냅니다.

	본 심볼은 유해성 화학 물질의 위험이 있음을 나타내므로 화학 물질에 대한 교육을 받은 전문가가 화학 물질을 다루거나 장비에 연결된 화학 물질 공급 장치에 대한 유지 관리 작업을 실시해야 합니다.
	본 심볼은 보안경이 필요함을 나타냅니다.
	본 기호가 부착된 전기 장비는 2005년 8월 12일 이후 유럽 공공 처리 시스템에 의해 처분될 수도 있습니다. 유럽 지역 및 국가 규정(EU 지침 2002/96/EC)에 따라 유럽 전기 장비 사용자는 구형 또는 수명이 끝난 장비를 제조업체에 무료 조건으로 반환하도록 합니다. 참고: 재활용을 위해 반환하려면 장비 제조업체나 공급업체에 문의하여 수명이 다한 장비, 제조업체에서 받은 전기 부품 및 모든 보조 물품을 올바른 방법으로 폐기하기 위한 반환 방법을 확인하십시오.

인증

캐나다 무선 간섭 유발 장치 규정, IECS-003, 등급 A:

보조 테스트 기록은 제조업체가 제공합니다.

본 등급 A 디지털 장치는 캐나다 간섭 유발 장치 규제의 모든 요구조건을 만족합니다.

Cet appareil numérique de classe A répond à toutes les exigences de la réglementation canadienne sur les équipements provoquant des interférences.

FCC Part 15, Class "A" 제한

보조 테스트 기록은 제조업체가 제공합니다. 본 장치는 FCC 규칙, Part 15를 준수합니다. 본 장치는 다음 조건에 따라 작동해야 합니다.

1. 유해한 간섭을 일으키지 않아야 합니다.
2. 바람직하지 않은 작동을 유발할 수 있는 간섭을 포함하여 수신되는 모든 간섭에도 정상적으로 작동해야 합니다.

본 장치의 준수 책임이 있는 측이 명시적으로 허용하지 않은 변경 또는 수정을 가하는 경우 해당 사용자의 장치 작동 권한이 무효화될 수 있습니다. 본 장치는 FCC 규칙, Part 15에 의거하여 등급 A 디지털 장치 제한 규정을 준수합니다. 이러한 제한은 상업 지역에서 장치를 작동할 때 유해한 간

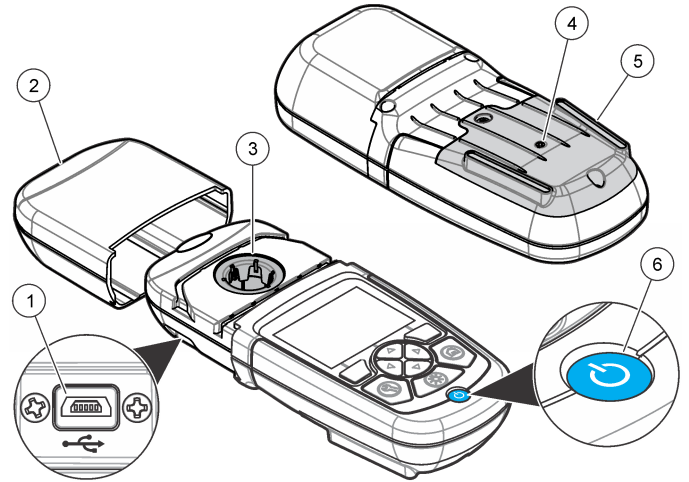
섭으로부터 적절하게 보호하기 위하여 제정되었습니다. 본 장치는 무선 주파수 에너지를 생성 및 사용하며 방출할 수 있고 사용 설명서에 따라 설치하고 사용하지 않을 경우 무선 통신에 해로운 간섭을 일으킬 수 있습니다. 주거 지역에서 본 장치를 사용하면 해로운 간섭을 일으킬 수 있으며, 이 경우 사용자는 자비를 들여 간섭 문제를 해결해야 합니다. 다음과 같은 방법으로 간섭 문제를 줄일 수 있습니다.

1. 장치를 전원에서 분리하여 장치가 간섭의 원인인지 여부를 확인합니다.
2. 장치가 간섭을 받는 장치와 동일한 콘센트에 연결된 경우, 장치를 다른 콘센트에 연결해보십시오.
3. 장치를 간섭을 받는 장치로부터 멀리 떨어트려 놓으십시오.
4. 간섭을 받는 장치의 안테나 위치를 바꿔보십시오.
5. 위의 방법들을 함께 이용해보십시오.

제품 소개

DR 900 은 420, 520, 560 및 610 nm 파장에서 측정을 수행하는 휴대용 LED 형 색도계입니다. 본 기기는 식수, 폐수 및 산업 응용 분야의 다양한 매개변수를 측정하는 데 이용됩니다. 본 기기에는 완벽한 구성의 저장 프로그램(사진 설치된 측정법)과 사용자 프로그램 저장소 및 즐겨찾기 프로그램 선택 기능이 제공됩니다. 101 페이지의 **그림 1** 을 참조하십시오.

그림 1 기기

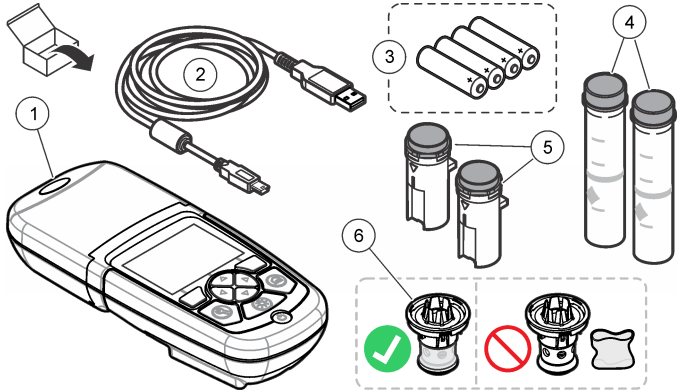


1 USB 포트	4 배기구
2 기기 캡	5 건전지 구획
3 셀 구획	6 전원 키

제품 구성 부품

구성 부품을 모두 받았는지 확인하십시오. 101 페이지의 **그림 2** 을 참조하십시오. 품목이 없거나 손상된 경우, 기기 공급업체나 판매 담당자에게 즉시 연락하십시오.

그림 2 제품 구성 부품



1 DR 900	4 유리 샘플 셀, 1 인치(25 mm) 둥근 모양, 10, 20, 25-mL 마크(2 개)
2 미니 USB 커넥터가 달린 USB 케이블	5 샘플 셀, 1 cm/10 mL(2 개)
3 AA 알카라인 배터리(4 개)	6 샘플 셀 어댑터

설치

⚠ 경고



여러 가지 위험이 존재합니다. 해당 전문가가 본 문서에 의거하여 작업을 수행해야 합니다.

주의사항

사용 또는 보관 중에 기기의 배터리 환기구가 막히지 않도록 유의하십시오.

건전지 설치

⚠ 경고



폭발 위험 건전지를 잘못 설치하면 폭발성 가스가 유출될 수 있습니다. 동종의 인증된 화학 건전지인지 확인하고 올바른 방향으로 끼워져 있는지 확인하십시오. 새 건전지와 사용한 건전지를 같이 사용하지 마십시오.

⚠ 경고



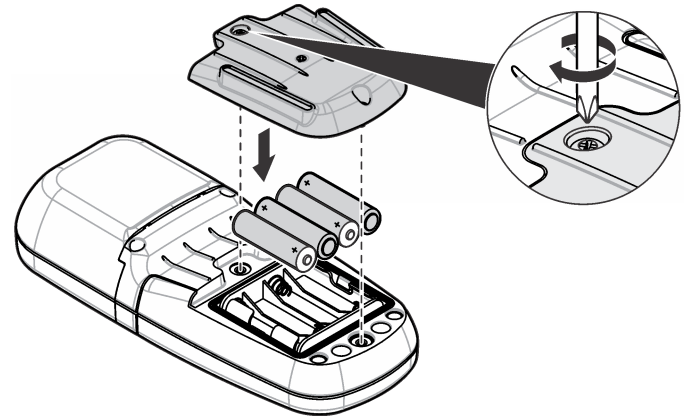
화재 위험. 다른 배터리를 사용하면 안 됩니다. 알카라인 배터리만 사용하십시오.

주의사항

밀봉 피팅에 꼭 맞도록 나사를 1-1.4 N·m (9-12 in.·lb)로 단단히 조이고 케이스 환경 등급을 유지합니다.

기기는 AA 알카라인 건전지 4 개로 전원을 공급 받습니다. 건전지를 올바른 방향으로 설치해야 합니다. 배터리 설치에 대해서는 [그림 3](#)을 참조하십시오.

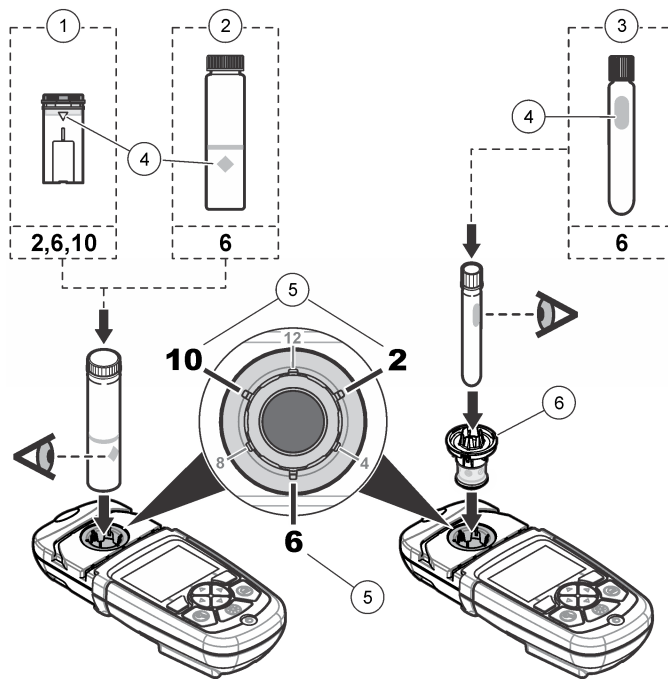
그림 3 건전지 설치



샘플 셀과 셀 어댑터 설치

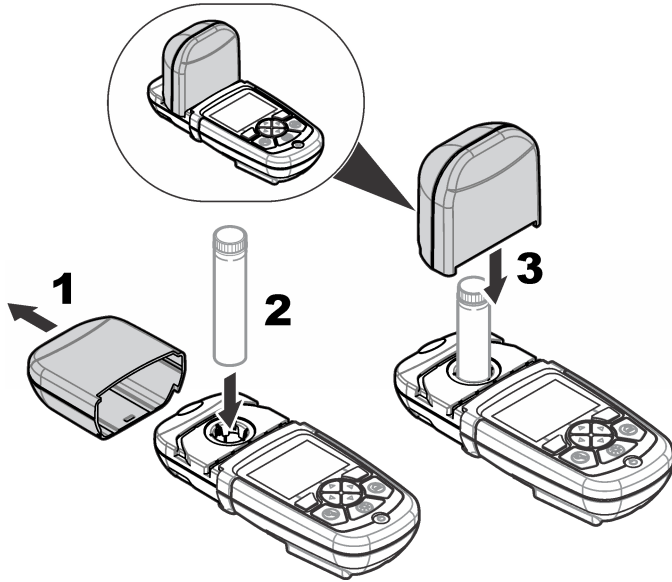
기기에는 여러 가지 샘플 셀 유형에 하나의 어댑터를 사용할 수 있는 하나의 셀 구획이 있습니다. 보다 재현성이 높고 정확한 결과를 얻기 위해서는 올바르게 일관된 방향으로 샘플 셀을 설치해야 합니다. 101 페이지의 **그림 4** 을 참조하십시오. 기기 제로가 설정되거나 측정이 수행되기 전에 기기 캡을 닫아 빛의 간섭을 방지하십시오. 101 페이지의 **그림 5** 을 참조하십시오.

그림 4 샘플 셀 방향



1 1-cm/10-mL 플라스틱 샘플 셀	4 방향 마크
2 1-인치(25 mm) 유리 샘플 셀	5 방향 위치(시계 방향)
3 16-mm 유리 테스트 바이얼	6 샘플 셀 어댑터

그림 5 샘플 셀 및 기기 캡 설치

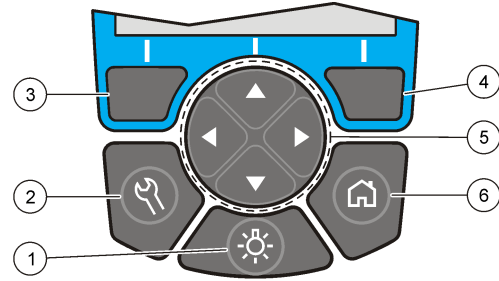


사용자 인터페이스 및 탐색

키패드 설명

그림 6 에서 키패드 설명 및 탐색 정보를 참조하십시오.

그림 6 키패드 설명



1 백라이트: 디스플레이 조명을 켜짐 또는 꺼짐으로 설정	4 오른쪽 선택 키(컨텍스트): 샘플 읽기, 옵션 선택 또는 확인, 하위 메뉴 열기
2 설정: 설정 옵션 ¹	5 탐색 키 위쪽, 아래쪽, 오른쪽, 왼쪽: 메뉴 스크롤, 숫자 및 문자 입력 ²
3 왼쪽 선택 키(컨텍스트): 옵션에 액세스, 현재 메뉴 화면을 취소 또는 종료하고 이전 화면으로 이동	6 홈/옵션: 메인 관독 화면으로 이동 ¹ , 프로그램 선택, 데이터 관리

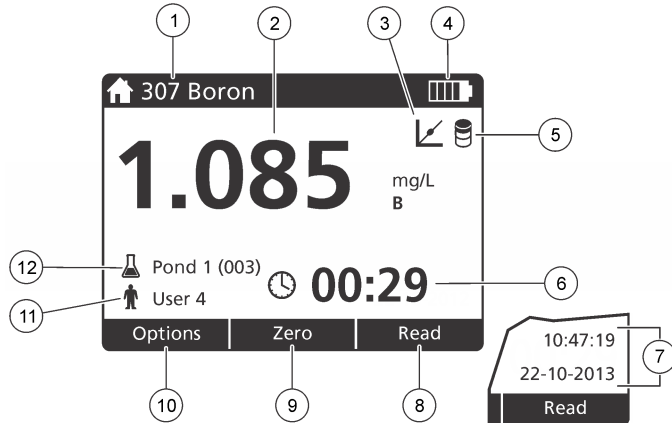
¹ 편집 모드에서는 키가 작동하지 않습니다.

² 위쪽 또는 아래쪽 키를 누르고 있으면 빠르게 스크롤됩니다. 왼쪽 또는 오른쪽 키를 누르면 페이지 단위로 스크롤됩니다.

디스플레이 설명

관독값 화면에는 선택 모드, 단위, 날짜와 시간, 작동자 ID 및 샘플 ID 가 표시됩니다. 101 페이지의 그림 7 을 참조하십시오.

그림 7 단일 화면 디스플레이



1 프로그램 이름 및 번호	7 시간 및 날짜
2 관독값, 단위, 화학적 형태, 측정 범위 미만 "----" 또는 측정 범위 이상 "++"	8 관독(컨텍스트: 완료, 선택, 시작, 확인)
3 표준 조정 아이콘	9 제로(컨텍스트: 탐색 키 위쪽 화살표)
4 건전지 상태	10 옵션(컨텍스트: 뒤로, 취소)
5 시약 블랭크 아이콘	11 작동자 ID
6 타이머	12 샘플 ID

탐색

기기에에는 다양한 옵션을 변경하기 위한 메뉴가 포함되어 있습니다. 탐색 키(위쪽, 아래쪽, 오른쪽 및 왼쪽 화살표)를 사용하여 여러 옵션을 강조 표시합니다. 오른쪽 선택 키를 눌러 옵션을 선택합니다. 탐색 키를 사용하여 옵션 값을 입력합니다. 탐색 키(위쪽, 아래쪽, 오른쪽 및 왼쪽 화살표)를 눌러 값을 입력하거나 변경합니다. 오른쪽 화살표를 눌러 다음 공백으로

이동합니다. 완료 아래에서 오른쪽 선택 키를 눌러 값을 수용합니다. 왼쪽 선택 키를 눌러 현재 메뉴 화면을 종료하고 이전 화면으로 이동합니다.

시작

기기 켜기 또는 끄기 설정

전원 키를 눌러 기기를 켜짐 또는 꺼짐으로 설정합니다. 기기가 켜지지 않으면 배터리가 올바르게 설치되었는지 확인하십시오.

언어 설정

언어 설정에는 다음 두 가지 옵션이 있습니다.

- 기기를 처음으로 켤 때 디스플레이 언어를 설정합니다.
- 설정 메뉴에서 언어를 설정합니다.

1. 설정>설정>언어를 누릅니다.
2. 목록에서 언어를 선택합니다.

날짜 및 시간 설정

날짜와 시간을 설정하기 위한 두 가지 옵션이 있습니다.

- 기기를 처음으로 켤 때 날짜와 시간을 설정합니다.
- 날짜 및 시간 메뉴에서 날짜와 시간을 설정합니다.

1. 설정>설정>날짜 및 시간을 누릅니다.
2. 날짜 형식을 누르고 날짜 및 시간의 형식을 선택합니다.
3. 날짜 및 시간을 누릅니다.
4. 탐색 키를 사용하여 현재 날짜와 시간을 입력한 다음 완료를 누릅니다.

표준 작동

프로그램 목록

본 기기에는 완전한 구성의 응용 프로그램이 함께 제공됩니다. 표 1 에서 프로그램 설명을 참조하십시오.

표 1 프로그램 옵션

프로그램 옵션	설명
저장된 프로그램	저장된 프로그램은 사전 프로그램된 측정법으로서 설치되어 출고됩니다. 101 페이지의 저장된 프로그램 선택 페이지의 100 을 참조하십시오.
사용자 프로그램	측정법은 사용자 프로그램으로 작성하여 저장할 수 있습니다. ¹ 101 페이지의 사용자 프로그램 페이지의 102 을 참조하십시오.
즐거찾기	자주 사용되는 측정법은 즐거찾기 목록에 저장할 수 있습니다. ¹

¹ 최대 10 개의 측정법(사용자 프로그램 및/또는 즐거찾기)을 저장할 수 있습니다.

저장된 프로그램 선택

1. **홈>옵션>모든 프로그램**를 누릅니다.
2. 해당 측정법을 선택하고 **시작**을 누릅니다.
3. **옵션>자주 사용하는 프로그램 목록에 추가**를 선택하여 선택 측정법을 즐거찾기에 추가하고 이후 빠르게 액세스합니다.

기본 프로그램 옵션 선택

프로그램을 선택하면 추가 매개변수 옵션이 제공됩니다.

1. **옵션**을 눌러 옵션 메뉴에 액세스합니다.

2. 해당 옵션을 선택합니다.

옵션	설명
타이머 시작	분석 단계의 타이밍이 맞도록 사전 설정된 타이머를 선택하거나 수동 타이머를 설정합니다(예를 들어 반응 시간 또는 대기 시간을 정확히 지정할 수 있음). 타이머가 커지면 디스플레이에 타이머 아이콘이 표시됩니다. 시간이 초과되면 기기가 경고음을 울립니다. 사전 설정 타이머 —하나 이상의 저장된 절차 단계에 해당하는 사전 설정 타이머를 선택하고 시작 을 누릅니다. 수동 타이머 —탐색 키를 이용하여 해당 시간을 입력하고 완료 를 누릅니다. 기본값 = 00:00
자주 사용하는 프로그램/사용자 프로그램	저장된 즐겨찾기 또는 사용자 프로그램 목록에서 프로그램을 선택합니다. 자세한 내용은 즐거찾기 또는 사용자 프로그램 선택 페이지의 102 를 참조하십시오.
모든 프로그램	목록에서 사전 프로그래밍된 측정법을 선택합니다.
데이터 로그	저장된 모든 판독값을 표시합니다. 자세한 내용은 데이터 로그 페이지의 102 를 참조하십시오.
자주 사용하는 프로그램 목록에 추가	즐거찾기 목록에 자주 사용되는 저장된 프로그램과 사용자 프로그램 측정법을 저장합니다. 101 페이지의 즐거찾기에 프로그램 추가 페이지의 102 을 참조하십시오.
%T/Abs/Conc	% 투과율, 흡광도 또는 농도 판독값으로 전환합니다. 투과율 판독값(%) —샘플을 통과하여 검출기에 도달하는 최초 빛의 퍼센트 비율을 판독합니다. 흡광도 판독값 —샘플에 의해 흡수된 빛을 흡광도 단위로 판독합니다. 농도 판독값 —측정된 흡광도 값이 프로그램별로 저장된 수식을 이용하여 농도 값으로 변환됩니다.
고급 옵션	고급 옵션을 사용하여 더 많은 매개변수를 지정합니다. 101 페이지의 고급 프로그램 옵션 선택 페이지의 100 을 참조하십시오.
저장	자동 저장 옵션이 꺼짐으로 설정된 경우 마지막 판독값을 수동으로 저장합니다.

고급 프로그램 옵션 선택

모든 프로그램에는 다양한 추가 고급 옵션이 제공됩니다.

1. 옵션을 눌러 **옵션>고급 옵션**에 액세스합니다.
2. 고급 옵션을 사용하여 더 많은 매개변수를 지정합니다.

옵션	설명
자동 저장	커짐과 꺼짐 사이를 전환합니다. 이 옵션을 커짐으로 설정하면 모든 판독값이 자동으로 저장됩니다. 이 옵션을 꺼짐으로 설정하면 판독값을 수동으로 저장할 수 있습니다.
화학적 형태	일부 공장 설치 측벽에서 대체 화학적 형태와 관련된 측정 범위를 선택합니다.
시약 블랭크	일부 공장 설치 측정법에서 시약 블랭크 교정을 사용할 수 있습니다. 탈이온수를 샘플로 사용하여 완료된 테스트 결과를 입력합니다. 모든 결과에서 블랭크 값을 빼서 시약으로 인한 백그라운드 컬러를 교정합니다. 표준 조정 옵션을 사용하기 전에 블랭크 교정을 입력하십시오. 새로운 각 테스트 시약 로트에 대해 이 교정을 수행합니다.
표준 조정	저장된 보정을 변경합니다. 테스트 범위의 상한 부근에 있는 특정 농도로 알려진 표준에 대해 테스트를 실시합니다. 이 기능을 사용하여 표준 농도에 맞게 결과를 조정합니다.
프로그램 정렬	저장된 프로그램 목록에 대해 알파벳 또는 숫자 프로그램 순서를 선택합니다.

작동자 ID 사용

작동자 ID 태그는 판독값을 개별 작동자와 연결시킵니다. 모든 저장 데이터에 이 ID가 포함됩니다.

1. 판독 화면에서 **설정>운전자 ID**를 누릅니다.
2. 작동자 ID 선택, 만들기 또는 삭제:

옵션	설명
현재 ID	목록에서 ID를 선택합니다. 다른 ID를 선택할 때까지 현재 ID가 샘플 데이터에 연결됩니다.
새 ID 만들기	새 작동자 ID의 이름을 입력합니다. 최대 10개의 이름을 입력할 수 있습니다.
ID 삭제	기존 작동자 ID를 삭제합니다.

샘플 ID 사용

샘플 ID 태그를 사용하여 판독값을 특정 샘플 혹은 특정 위치와 연결시킵니다. 할당된 경우, 저장 데이터에 이 ID가 포함됩니다.

1. 판독 화면에서 **설정>샘플 ID**를 누릅니다.
2. 작동자 ID 선택, 만들기 또는 삭제:

옵션	설명
현재 ID	목록에서 ID를 선택합니다. 다른 ID를 선택할 때까지 현재 ID가 샘플 데이터에 연결됩니다.
새 ID 만들기	새 샘플 ID에 대한 이름을 입력합니다. 최대 10개의 이름을 입력할 수 있습니다. 다른 ID가 선택될 때까지 샘플에는 각 측정에 대해 순차 번호가 부여됩니다(Pond 1, Pond 2 등).
ID 삭제	기존 샘플 ID를 삭제합니다.

측정을 수행하는 방법

측정을 수행하려면 기본적 측정 단계를 거쳐야 합니다. 모든 측정법에는 단계별 절차가 있습니다. 해당 측정법에 따라 특정 테스트를 실행합니다. 다음 예는 측정을 수행하는 기본적 절차입니다.

1. 프로그램 메뉴에서 해당 프로그램을 선택합니다(예: 저장된 프로그램, 사용자 프로그램, 즐겨찾기).
2. 필요한 경우 셀 어댑터를 설치합니다.
3. 시작을 눌러 프로그램을 시작합니다.
4. 측정법 문서에 따라 블랭크를 준비합니다. 샘플 셀을 닫고 보풀이 없는 형겼으로 샘플 셀의 광학 면을 청소합니다.
5. 블랭크 샘플 셀을 셀 구획에 삽입합니다. 보다 재현성이 높고 정확한 결과를 얻기 위해서는 올바르게 일관된 방향으로 블랭크 샘플 셀을 설치해야 합니다. 101 페이지의 **그림 4** 페이지의 **97**을 참조하십시오.
6. 기기 캡을 닫아 빛의 간섭을 방지합니다. 101 페이지의 **그림 5** 페이지의 **98**을 참조하십시오.
7. **제로**를 누릅니다. 디스플레이에 제로 농도가 표시됩니다(예: mg/L, ABS, µg/L).
8. 샘플을 준비합니다. 측정법 문서에 지정한 대로 시약을 추가합니다.

9. **옵션>타이머 시작**을 선택하여 프로그램 내에서 저장된 타이머를 사용합니다.
10. 샘플 셀을 닫고 보물이 없는 형질으로 셀의 광학 표면을 청소합니다.
11. 샘플을 셀 구획에 삽입합니다. 보다 재현성이 높고 정확한 결과를 얻기 위해서는 올바르게 일관된 방향으로 샘플 셀을 설치해야 합니다. 101 페이지의 **그림 4** 페이지의 **97** 을 참조하십시오.
12. 기기 캡을 닫아 빛의 간섭을 방지합니다. 101 페이지의 **그림 5** 페이지의 **98** 을 참조하십시오.
13. **관독**을 누릅니다. 디스플레이에 선택 단위로 결과가 표시됩니다.
참고: 측정된 흡광도가 테스트의 보정 범위보다 낮거나 높을 경우 디스플레이에 "+++" 또는 "--"가 표시됩니다.

데이터 로그

데이터 로그에는 저장된 모든 관독값이 표시됩니다. **홈>옵션>데이터 로그**를 눌러 관독값을 표시합니다. 데이터 로그 내보내기에 관해서는 **데이터 로그 내보내기** 페이지의 104 를 참조하십시오.

고급 작동

즐거찾기 또는 사용자 프로그램 선택

기기를 처음으로 사용할 때는 즐거찾기 및 사용자 프로그램 데이터베이스가 비어 있습니다. 빠른 사용을 위해 측정법을 즐거찾기에 저장할 수 있습니다. 특정한 목적을 위해 사용자 프로그램을 프로그래밍할 수 있습니다.

1. **홈>옵션>자주 사용하는 프로그램/사용자 프로그램>선택**을 누릅니다.
2. **새 프로그램**을 눌러 새 사용자 프로그램을 만듭니다. 101 페이지의 **사용자 프로그램** 페이지의 102 을 참조하십시오.

즐거찾기에 프로그램 추가

자주 사용되는 사용자 프로그램과 저장된 프로그램 측정법은 즐거찾기 목록에 저장할 수 있습니다.

1. **홈>옵션>모든 프로그램**을 선택합니다.
2. 해당 측정법을 선택하고 **시작**을 누릅니다.
3. **옵션>자주 사용하는 프로그램 목록에 추가**를 선택하여 선택한 측정법을 즐거찾기에 추가합니다.

사용자 프로그램

기기를 처음으로 사용할 때는 사용자 프로그램 데이터베이스가 비어 있습니다. **새 프로그램**을 사용하여 특정 필요성에 맞는 새 프로그램을 만듭니다. 새 사용자 프로그램을 만들려면 다음 단계를 수행하십시오.

1. **홈>옵션>자주 사용하는 프로그램/사용자 프로그램>선택>새 프로그램**을 누릅니다.
2. 1001 ~ 1010 범위에서 사용 가능한 프로그램 번호를 선택합니다.
참고: 최대 10 개의 프로그램(사용자 프로그램 및/또는 즐거찾기)을 저장할 수 있습니다.
3. 측정법 이름을 입력합니다(최대 12 자).
4. 파장을 선택합니다(420, 520, 560 또는 610 nm).
5. 단위를 선택합니다(없음, µg/L, mg/L 또는 g/L).
6. 분해능을 선택합니다(0000, 000.0, 00.00 또는 0.000).
7. 보정 포인트를 추가합니다(최소 2 및 최대 12 보정 포인트).* 표준 1 편 집을 선택하고 첫 번째 표준 농도 값을 입력합니다. **완료**을 누릅니다.
참고: 신호음이 울리면 농도가 이전에 입력된 표준과 중복되거나 농도가 선택 분해능에 비해 너무 높다는 것을 의미합니다. 다른 값을 입력하고 계속 진행합니다.

* 곡선이 선형인 것으로 알려져 있으면 두 개의 농도 데이터 포인트(예: 제로 흡광도를 가진 표준 및 알려진 또 다른 표준)만 필요합니다. 추가 데이터 포인트를 사용하여 선형성을 확인하거나 비선형 곡선을 정의합니다.

8. 흡광도 값 입력:

옵션	설명
ABS 수동 편집	탐색 키를 사용하여 흡광도 값을 직접 입력합니다.
ABS 자동 편집	<ol style="list-style-type: none"> 1. 블랭크를 셀 홀더에 놓고 제로를 누릅니다. 2. 준비된 샘플을 셀 홀더에 놓고 판독을 누릅니다. 3. 완료를 누릅니다.

참고: 신호음이 울리면 흡광도가 이전에 입력된 표준과 중복되거나, 흡광도가 이전의 두 표준 사이에 있다는 것을 의미합니다. 다른 값을 입력하고 계속 진행합니다.

9. 완료를 누릅니다.

10. 보정 지점 추가를 선택합니다.

11. 7-9 단계의 설명에 따라 추가 보정 지점을 입력합니다.

12. 사용자 프로그램 저장을 선택합니다.

사용자 프로그램 편집

저장된 사용자 프로그램을 편집하려면:

1. **홈>자주 사용하는 프로그램/사용자 프로그램**을 선택합니다.
2. 해당 프로그램을 선택하고 **옵션**을 누릅니다.
3. **편집**을 누릅니다.
4. 화면에 표시되는 지침에 따라 절차를 편집합니다.

사용자 또는 자주 사용하는 프로그램 삭제

프로그램이 더 이상 사용되지 않는 경우 저장된 사용자 또는 자주 사용하는 프로그램을 삭제합니다.

1. **홈>옵션>자주 사용하는 프로그램/사용자 프로그램**을 선택합니다.
2. 해당 프로그램을 강조 표시하고 **옵션>삭제**를 누른 다음 화면상의 메시지를 따릅니다.

기기 정보

기기 정보 메뉴에는 기기 이름, 일련 번호, 소프트웨어 버전, 데이터베이스 버전, 사용된 메모리 및 프로그램 사용 가능 여부 등의 특정 정보가 표시됩니다. **설정>설정>기기 정보**를 누릅니다.

암호 설정

암호 설정 옵션은 제한된 메뉴에 액세스를 금지하기 위해 사용됩니다. **참고:** 지정된 암호를 잃어버리고 보안 옵션이 꺼짐으로 설정되면 작동자가 제한된 메뉴에 들어가지 못하게 됩니다. 암호를 잃어버린 경우 기술 지원로 연락하십시오.

1. **설정>설정>암호 설정**를 누릅니다.
2. 옵션을 선택합니다.

옵션	설명
암호 설정	꺼짐 또는 꺼짐을 선택하여 암호 보호를 꺼짐이나 꺼짐으로 설정합니다.
보호된 항목	작동자 ID 편집, 샘플 ID 편집, 사용자 프로그램 편집, 날짜 및 시간, 펌웨어 업그레이드, 측정법 업그레이드, 언어 및 즐겨찾기 목록 편집 등 보호된 항목 목록을 표시합니다.

디스플레이 및 사운드 설정

디스플레이 옵션을 사용하여 디스플레이 대비, 배터리 자동 차단 옵션 또는 백라이트 옵션을 변경합니다. 키를 누르거나 판독이 완료되었을 때의 신호음에 대한 사운드 옵션을 사용합니다.

1. **설정>설정>디스플레이 및 소리>디스플레이 옵션**를 누릅니다.
2. 옵션을 선택합니다.

옵션	설명
대비	표시 대비 조정. 가장 밝은 설정은 0 이고 가장 어두운 설정은 9 입니다. 기본값: 5

옵션	설명
자동 차단	배터리 사용 시간을 최대화하려면 아무 키도 누르지 않은 경우 기기의 전원이 자동으로 꺼지는 시간을 설정하십시오(5, 10, 15, 20, 30 분, 1 시간, 2 시간 또는 사용 안 함). 기본값: 10 분
백라이트	백라이트를 누르면 디스플레이 백라이트가 켜짐으로 설정됩니다. 키를 누르지 않으면 백라이트가 자동으로 꺼지는 시간을 설정합니다(10, 20, 30 초, 1, 2, 5, 10 분 또는 사용 안 함). 기본값: 1 분

3. 설정>설정>디스플레이 및 소리>사운드를 누릅니다.
4. 옵션을 선택합니다.

옵션	설명
키 누름	키를 누를 때마다 기기가 신호음을 냅니다. 기본값: 꺼짐
관독 완료	관독이 완료될 때마다 기기가 신호음을 냅니다. 기본값: 켜짐

USB 메인 메뉴

USB 케이블을 이용하여 기기가 컴퓨터에 연결되면 USB 메인 메뉴가 열립니다. USB 메인 메뉴에서 소프트웨어를 업데이트하거나 프로그램을 내보내기 또는 가져오기하거나 데이터 로그와 이벤트 로그를 내보낼 수 있습니다.

펌웨어 업데이트

제품 웹 사이트에서 펌웨어 업그레이드 파일을 찾거나 기기 공급업체에 연락하십시오. 웹 사이트에서 컴퓨터로 파일을 저장하십시오.

1. 기기를 켜짐으로 설정하고 기기와 컴퓨터에 USB 케이블을 연결합니다.
USB 메인 메뉴가 나타납니다.
2. DR900 업데이트를 선택합니다.
컴퓨터의 USB 드라이브가 기기에 표시됩니다. 폴더를 엽니다.
3. DR900.bin 파일을 열린 폴더에 복사합니다.
4. 확인을 누릅니다.
5. 업데이트가 끝났으면 확인을 누릅니다.
6. USB 연결 해제를 선택하고 확인을 눌러 USB 케이블을 분리합니다.
7. 확인을 누릅니다.

8. 기기를 다시 시작합니다.

프로그램 관리

프로그램 관리 기능을 사용하여 사용자 프로그램의 내보내기 및/또는 가져오기를 수행할 수 있으며 새 공장 프로그램을 가져올 수 있습니다.

1. 기기를 켜짐으로 설정하고 기기와 컴퓨터에 USB 케이블을 연결합니다.
USB 메인 메뉴가 나타납니다.
2. 프로그램 관리를 선택하고 옵션을 선택합니다.

옵션	설명
사용자 프로그램 내보내기	모든 사용자 프로그램을 컴퓨터로 내보내서 보관하거나 사용자 프로그램을 다른 DR 900 으로 이동시킵니다.
사용자 프로그램 가져오기	컴퓨터를 통해 모든 사용자 프로그램을 다른 DR 900 의 사용자 프로그램으로 대체합니다.
공장 프로그램 가져오기	제조업체 웹 사이트에서 새 공장 프로그램을 가져옵니다.

컴퓨터의 USB 드라이브가 기기에 표시됩니다. 폴더를 엽니다.

3. 드라이브에서 컴퓨터로 내보내기 파일을 복사하거나 컴퓨터에서 드라이브로 가져오기 파일을 복사합니다.
4. 확인을 누릅니다.
5. 전송이 완료되면 USB 연결 해제를 선택하고 USB 케이블을 분리합니다.
6. 확인을 누릅니다.

데이터 로그 내보내기


이벤트 로그 및 데이터 로그는 컴퓨터로 내보낼 수 있습니다. 이벤트 로그에는 구성 관련 작업에 대한 날짜, 시간, 이벤트 번호, 매개변수 및 설명이 포함됩니다. 샘플 측정값은 데이터 로그에 수동 또는 자동으로 저장됩니다. 101 페이지의 고급 프로그램 옵션 선택 페이지의 100 을 참조하십시오.

1. 기기를 켜짐으로 설정하고 기기와 컴퓨터에 USB 케이블을 연결합니다.



USB 메인 메뉴가 나타납니다.


2. 데이터로그 내보내기를 선택합니다.
컴퓨터의 USB 드라이브가 기기에 표시됩니다. 폴더를 엽니다.
3. 내보내기 파일(DR900_DataLog.csv 및 DR900_EventLog.csv)을 컴퓨터에 복사하여 저장합니다.
4. 확인을 누릅니다.
5. 파일이 컴퓨터로 복사되었으면 **USB 연결 해제**를 선택하고 USB 케이블을 분리합니다.
6. 확인을 누릅니다.

유지관리

▲ 경고	
	여러 가지 위험이 존재합니다. 해당 전문가가 본 문서에 의거하여 작업을 수행해야 합니다.

샘플 셀 청소

▲ 주의	
 	화학물질에 노출될 위험이 있습니다. 실험실의 안전절차를 준수하고, 취급하는 화학 물질에 맞는 개인보호장비를 안전하게 착용하십시오. 최신 물질안전보건자료(MSDS/SDS)에서 안전 규정을 참조하십시오.

▲ 주의	
	화학물질에 노출될 위험이 있습니다. 화학물질 및 폐기물은 국가 및 지역 규정에 따라 폐기하십시오.


대부분의 실험실 세제는 권장 농도로 사용됩니다. 일반적 청소가 필요할 때는 Liquinox 등의 중성 세제를 사용하는 것이 더욱 안전합니다. 청소 횟


수를 줄이려면 온도를 높이거나 초음파 수조를 사용하십시오. 청소를 완료한 후에는 탈이온수로 몇 차례 행군 다음 샘플 셀을 공기 중에 말리십시오. 산성 물질로 샘플 셀을 청소하고 탈이온수로 말끔하게 행군도 됩니다.

참고: 저레벨 급속 테스트에 사용된 샘플 셀을 청소할 때는 항상 산성 물질을 사용하지

개별 절차에 특수 청소 방법이 필요합니다. 샘플 셀을 청소할 때 브러시를 사용하는 경우에는 샘플 셀 안쪽 표면이 긁히지 않도록 각별히 주의해야 합니다.

건전지 교체

▲ 경고	
	폭발 위험. 수명이 다한 건전지는 기기 내부에 수소 가스 누적을 유발할 수 있습니다. 방전되기 전에 건전지를 교체하고 건전지가 설치된 채로 기기를 장기간 보관하지 마십시오.

▲ 경고	
	화재 위험. 다른 배터리를 사용하면 안 됩니다. 알카라인 배터리만 사용하십시오.


주의사항	
밀봉 피팅에 꼭 맞도록 나사를 1-1.4 N·m (9-12 in.·lb)로 단단히 조이고케이스 환경 등급을 유지합니다.	

95 페이지의 **건전지 설치** 페이지의 96에서 배터리 교체에 대한 내용을 참조하십시오.

문제 해결

오류 코드	발생 원인	해결 방법
1	기기가 구성되지 않습니다.	기술 지원에 연락하십시오.
2	프로그램 데이터를 읽을 수 없습니다.	
3	프로그램 데이터를 쓸 수 없습니다.	
4	배터리 오류	건전지 교체.
5	측정 중 A/D 오류	기술 지원에 연락하십시오.
6	측정 중 오프셋 오류	기기 캡이 올바르게 설치되었는지 확인하십시오.
7	측정 중 광 부족 오류	<ul style="list-style-type: none"> 빛의 경로가 막히지 않았는지 확인하십시오. 제로가 기기 범위를 벗어납니다. 기술 지원에 연락하십시오.
8	측정 중 범위 초과 오류, 잠재적 빛 경로가 막혔거나 농도가 너무 높음	<ul style="list-style-type: none"> 빛 경로가 막히지 않았고 프로그램에 대해 농도가 너무 높지 않은 것을 확인하십시오. 기기 캡이 올바르게 설치되었는지 확인하십시오. 기술 지원에 연락하십시오.

교체 부품 및 부속품

▲ 경고	
	신체 부상 위험. 승인되지 않은 부품을 사용하면 부상, 기기 손상 또는 장비 오작동이 발생할 수 있습니다. 이 절에 설명된 교체 부품은 제조업체의 승인을 받았습니다.

참고: 일부 판매 지역의 경우 제품 및 문서 번호가 다를 수 있습니다. 연락처 정보는 해당 대리점에 문의하거나 본사 웹사이트를 참조하십시오.

교체 부품

설명	품목 번호
어댑터 어셈블리, COD	4846400
배터리 세트, AA 알카라인 배터리(4 개)	1938004
캡이 있는 샘플 셀, 25 x 95 mm, 10-20-25 mL(6 개)	2401906
캡이 있는 샘플 셀, 1 cm/10 mL(2 개)	4864302
USB 케이블	LZV818

부속품

설명	품목 번호
캡, 샘플 셀, 25 x 95 mL 셀용	2401812
휴대 케이스, 하드형	4942500
휴대 케이스, 어깨 끈이 있는 소프트형	2722000
휴대 케이스, 휴대용 실험실	4943000
DR/Check™ 흡광도 표준	2763900
기기 캡, DR 900	9390500

สารบัญ

รายละเอียดทางเทคนิค ในหน้า 107	การทำงานมาตรฐาน ในหน้า 114
ข้อมูลทั่วไป ในหน้า 107	การปฏิบัติการขั้นสูง ในหน้า 116
การติดตั้ง ในหน้า 110	การดูแลรักษา ในหน้า 118
อินเทอร์เฟซผู้ใช้และโครงสร้างเมนู ในหน้า 112	การแก้ไขปัญหา ในหน้า 119
การเริ่มทำงาน ในหน้า 113	อะไหล่ทดแทนและอุปกรณ์เสริม ในหน้า 120

รายละเอียดทางเทคนิค

รายละเอียดทางเทคนิคอาจเปลี่ยนแปลงได้โดยไม่ต้องแจ้งให้ทราบล่วงหน้า

รายละเอียดทางเทคนิค	รายละเอียด
โหมดการวัดผล	การส่งผ่าน (%) การดูดซับ (Abs) และความเข้มข้น (Conc)
ขนาด (ก x ล x ส)	23.6 x 8.7 x 4.7 ซม. (9.3 x 3.4 x 1.9 นิ้ว)
อัตราการป้องกันของโครงสร้างภายนอก	IP67
น้ำหนัก	0.6 กก. (1.3 ปอนด์)
การใช้พลังงาน (ภายใน)	แบตเตอรี่อัลคาไลน์ AA (4 ก้อน)
เวลาการใช้งานแบตเตอรี่	6 เดือน (ทั่วไป) ที่การอ่าน 5 ครั้งต่อวัน/5 วันต่อสัปดาห์โดยไม่ใช้แสงพื้นหลัง
อินเทอร์เฟซ	USB ขนาดเล็ก
อุณหภูมิสำหรับใช้งาน	0 ถึง 50 °C (32 ถึง 122 °F), ความชื้นสัมพัทธ์สูงสุด 90% ไม่มีการกลั่นตัวเป็นหยดน้ำ
อุณหภูมิสำหรับจัดเก็บ	-30 ถึง 60 °C (-22 ถึง 140 °F), ความชื้นสัมพัทธ์สูงสุด 90% ไม่มีการกลั่นตัวเป็นหยดน้ำ
แหล่งแสงไฟ	ไดโอดเปล่งแสง (LED)

รายละเอียดทางเทคนิค	รายละเอียด
ตัวตรวจจับ	ซิลิคอนโฟโตไดโอด
ช่วงความยาวคลื่น	420, 520, 560, 610 มม.
ช่วงการวัดผลโฟโตเมตริก	0-2 Abs
ความแม่นยำความยาวคลื่น	±1 nm
ความแม่นยำโฟโตเมตริก	±0.005 Abs ที่ 1.0 Abs ต่ำสุด
โฟโตเมตริกเชิงเส้น	±0.002 Abs (0-1 Abs)
ตัวเลือกความยาวคลื่น	อัตโนมัติ ตามตัวเลือกวิธีการ
ความสามารถการซ้ำโฟโตเมตริก	±0.002 Abs (0-1 Abs)
การอ่านข้อมูล	การแสดงผลกราฟิก 240 x 160 พิกเซล (แบ็คไลท์)
เชลล์ตัวอย่าง	16 มม., 1 ซม./10 มม., 1 นิ้ว (25 มม.) ทรงกลม
ระดับการป้องกัน	Class III
การรับรอง	การรับรอง CE
การรับประกัน	1 ปี

ข้อมูลทั่วไป

ผู้ผลิตไม่มีส่วนรับผิดชอบใด ๆ ต่อความเสียหายโดยตรง โดยอ้อม ความเสียหาย ความเสียหายจากอุบัติเหตุหรือความเสียหายอื่นเป็นผลต่อเนื่องเนื่องจากข้อบกพร่องหรือการละเว้นข้อมูลใด ๆ ของคู่มือชุดนี้ ผู้ผลิตสงวนสิทธิ์ในการแก้ไขคู่มือและเปลี่ยนแปลงผลิตภัณฑ์ที่อ้างถึงได้โดยไม่ต้องแจ้งให้ทราบ ข้อมูลฉบับแก้ไขจะมีจัดไว้ให้ในเว็บไซต์ของผู้ผลิต

ข้อมูลเพื่อความปลอดภัย

หมายเหตุ

ผู้ผลิตจะไม่รับผิดชอบต่อความเสียหายใดๆ ที่เกิดจากการนำผลิตภัณฑ์ไปใช้หรือการใช้งานที่ผิดวัตถุประสงค์ รวมถึง แต่ไม่จำกัดเพียงความเสียหายทางตรง ความเสียหายที่ไม่ได้ตั้งใจ และความเสียหายที่ต่อเนื่องตามมา และขอปฏิเสธในการรับผิดชอบต่อความเสียหายเหล่านี้ในระดับสูงสุดเท่าที่กฎหมายที่เกี่ยวข้องจะอนุญาต ผู้ใช้เป็นผู้รับผิดชอบแต่เพียงผู้เดียวในการระบุถึงความเสี่ยงในการนำไปใช้งานที่สำคัญ และการติดตั้งกลไกที่เหมาะสมเพื่อป้องกันกระบวนการต่างๆ ที่เป็นไปได้ในกรณีอุปกรณ์ทำงานผิดพลาด

กรุณาอ่านคู่มือฉบับนี้โดยละเอียดก่อนเปิดกล่อง คิดตั้งหรือใช้งานอุปกรณ์นี้ ศึกษาอันตรายและข้อควรระวังต่าง ๆ ที่แจ้งให้ทราบให้ครบถ้วน หากไม่ปฏิบัติตามอาจทำให้เกิดการบาดเจ็บร้ายแรงต่อผู้ใช้หรือเกิดความเสียหายต่ออุปกรณ์

ตรวจสอบว่าชิ้นส่วนป้องกันของอุปกรณ์นี้ไม่มีความเสียหาย ห้ามใช้หรือติดตั้งอุปกรณ์ในลักษณะอื่นใดนอกจากที่ระบุไว้ในคู่มือนี้

การใช้ข้อมูลแจ้งเตือนเกี่ยวกับอันตราย

⚠️ อันตราย

ระบุอันตรายที่อาจเกิดขึ้น ซึ่งหากไม่หลีกเลี่ยง อาจทำให้เสียชีวิตหรือได้รับบาดเจ็บร้ายแรงได้

⚠️ คำเตือน

ระบุอันตรายที่อาจเกิดขึ้น ซึ่งหากไม่หลีกเลี่ยง อาจทำให้เสียชีวิตหรือได้รับบาดเจ็บร้ายแรงได้

⚠️ ข้อควรระวัง

ระบุอันตรายที่อาจเกิดขึ้นซึ่งอาจทำให้เกิดการบาดเจ็บเล็กน้อยถึงปานกลาง

หมายเหตุ

ข้อควรทราบระบุกรณีที่หากไม่หลีกเลี่ยง อาจทำให้อุปกรณ์ได้รับความเสียหายได้ ข้อมูลที่ต้องการเน้นเป็นพิเศษ

ฉลากระบุข้อควรระวัง

อ่านฉลากและป้ายระบุทั้งหมดที่จัดมาพร้อมกับอุปกรณ์ อาจเกิดการบาดเจ็บหรือความเสียหายต่ออุปกรณ์หากไม่ปฏิบัติตาม คู่มืออ้างอิงสัญลักษณ์ที่ตัวอุปกรณ์พร้อมข้อความเพื่อเฝ้าระวังเบื้องต้น

	หากปรากฏสัญลักษณ์นี้ที่ตัวอุปกรณ์ กรุณาตรวจสอบเอกสารคู่มือการใช้งานและ/หรือข้อมูลเพื่อความปลอดภัย
	สัญลักษณ์นี้ระบุว่ามีความเสี่ยงในการระเบิด
	สัญลักษณ์นี้ระบุว่ามีความเสี่ยงในการเกิดเปลวไฟ
	สัญลักษณ์นี้เป็นการระบุถึงความเสี่ยงของอันตรายจากสารเคมี และระบุว่าควรให้เฉพาะผู้ที่มีความชำนาญและผ่านการฝึกอบรมเพื่อทำงานที่เกี่ยวข้องกับสารเคมี เป็นผู้ดำเนินการต่างๆ กับสารเคมี หรือทำการดูแลรักษาระบบการขนส่งสารเคมีที่เกี่ยวข้องกับอุปกรณ์
	สัญลักษณ์นี้ระบุถึงความจำเป็นในการสวมอุปกรณ์ป้องกันดวงตา
	อุปกรณ์อิเล็กทรอนิกส์ที่มีเครื่องหมายนี้ไม่สามารถทิ้งแบบขยะปกติในเขตยุโรป ตามหลักเกณฑ์ที่ประกาศใช้หลังจากวันที่ 12 สิงหาคม 2005 หากไม่ปฏิบัติตามข้อบังคับในเขตยุโรปหรือในพื้นที่ (EU Directive 2002/96/EC) ผู้ใช้อุปกรณ์ไฟฟ้าในยุโรปจะต้องส่งคืนผลิตภัณฑ์เก่าหรือทิ้งหมดอายุการใช้งานแล้วให้แก่ผู้ผลิตเพื่อกำจัดที่ตรงตามเหมาะสมโดยผู้ใช้ไม่ต้องเสียค่าใช้จ่ายใด ๆ บันทึก: ในกรณีการส่งคืนที่รีไซเคิล กรุณาติดต่อผู้ผลิตอุปกรณ์หรือซัพพลายเออร์เพื่อรับทราบคำแนะนำนำในการส่งคืนอุปกรณ์ที่หมดอายุ อุปกรณ์ไฟฟ้าที่ผู้ผลิตจัดหาให้ หรืออุปกรณ์เสริมใด ๆ เพื่อให้มีการกำจัดอย่างถูกวิธี

การรับรอง

หลักเกณฑ์เกี่ยวกับอุปกรณ์ที่ทำให้เกิดสัญญาณรบกวนของเกณฑ์ตาม IECs-003, Class A

รองรับข้อมูลการทดสอบของผู้ผลิต

อุปกรณ์ดิจิทัล Class A นี้ได้มาตรฐานตามเงื่อนไขภายใต้หลักเกณฑ์เกี่ยวกับอุปกรณ์ที่ทำให้เกิดสัญญาณรบกวนของแคนาดา

Cet appareil numérique de classe A répond à toutes les exigences de la réglementation canadienne sur les équipements provoquant des interférences.

FCC Part 15, Class "A" Limits

รองรับข้อมูลการทดสอบของผู้ผลิต อุปกรณ์นี้ได้มาตรฐานตาม Part 15 ของ FCC Rules การใช้งานจะต้องอยู่ภายใต้เงื่อนไขดังต่อไปนี้:

1. อุปกรณ์จะต้องไม่ทำให้เกิดอันตรายจากสัญญาณรบกวน
2. อุปกรณ์จะต้องสามารถทนรับสัญญาณรบกวนที่ได้รับ รวมทั้งสัญญาณรบกวนอื่น ๆ ที่อาจทำให้การทำงานไม่เป็นไปตามที่คาดหวัง

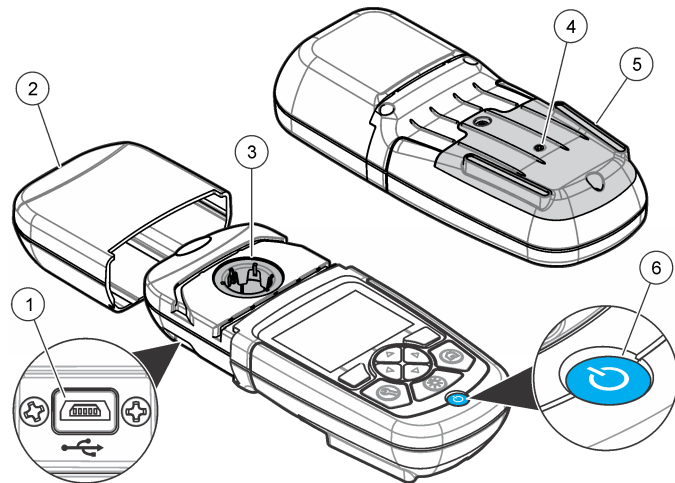
การเปลี่ยนแปลงหรือปรับแต่งอุปกรณ์นี้ซึ่งไม่ได้รับการรับรองโดยผู้เกี่ยวข้องเพื่อควบคุมมาตรฐาน อาจทำให้ผู้ใช้เสียสิทธิ์ในการใช้งานอุปกรณ์ อุปกรณ์นี้ผ่านการทดสอบและพบว่าได้มาตรฐานตามข้อกำหนดสำหรับอุปกรณ์ดิจิทัล Class A ภายใต้ Part 15 ของ FCC Rules ข้อกำหนดนี้กำหนดขึ้นเพื่อเป็นการป้องกันสัญญาณรบกวนที่เป็นอันตรายเมื่อมีการใช้งานอุปกรณ์ในเชิงพาณิชย์ อุปกรณ์นี้ทำให้เกิด ใช้อุปกรณ์และสามารถแพร่คลื่นความถี่วิทยุ และหากมีการติดตั้งและใช้งานไม่ปฏิบัติตามคู่มือการใช้งาน อาจทำให้เกิดสัญญาณรบกวนที่เป็นอันตรายต่อการสื่อสารทางวิทยุ การทำงานของอุปกรณ์ในที่ที่ก่อกวนอาจทำให้เกิดสัญญาณรบกวนที่เป็นอันตราย ซึ่งในกรณีนี้ผู้ใช้จะต้องแก้ไขปัญหาสัญญาณรบกวนด้วยตัวเอง สามารถใช้เทคนิคต่อไปนี้เพื่อลดปัญหาจากสัญญาณรบกวน:

1. ปลดอุปกรณ์จากแหล่งจ่ายไฟเพื่อยืนยันว่าอุปกรณ์เป็นสาเหตุของสัญญาณรบกวนหรือไม่
2. หากต่ออุปกรณ์เข้ากับเต้ารับไฟฟ้าเดียวกันกับอุปกรณ์ที่มีปัญหาสัญญาณรบกวน ให้ต่ออุปกรณ์กับเต้ารับไฟฟ้าอื่น
3. ย้ายอุปกรณ์ออกจากอุปกรณ์ที่ได้รับสัญญาณรบกวน
4. ปรับตำแหน่งสายอากาศสำหรับอุปกรณ์ที่ได้รับสัญญาณรบกวน
5. ลองดำเนินการตามวิธีการต่าง ๆ ข้างต้น

ภาพรวมผลิตภัณฑ์

ผลิตภัณฑ์ DR 900 เป็นมีเตอร์สีแหล่ง LED แบบพกพาเพื่อใช้วัดในช่วงความยาวคลื่น 420, 520, 560 และ 610 nm. เครื่องมือนี้ใช้เพื่อวัดค่าพารามิเตอร์ต่างๆ ในน้ำดื่ม น้ำเสีย และการใช้งานทางอุตสาหกรรม เครื่องมือชนิดนี้จะมาพร้อมกับชุดโปรแกรมที่จัดเก็บไว้ (วิธีการที่ติดตั้งไว้ก่อน) และสามารถจัดเก็บโปรแกรมผู้ใช้และเลือกโปรแกรมโปรดได้ โปรดดูรายละเอียดใน รูปที่ 1

รูปที่ 1 เครื่องมือ

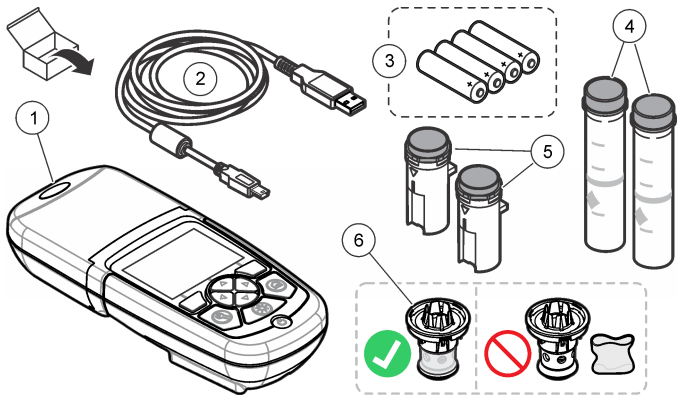


1 พอร์ต USB	4 ช่องระบายอากาศ
2 ฝาปิดเครื่องมือ	5 ที่ใส่แบตเตอรี่
3 ที่ใส่ซิม	6 ปุ่มเปิดปิดเครื่อง

ส่วนประกอบของผลิตภัณฑ์

ตรวจสอบให้แน่ใจว่าได้รับส่วนประกอบทั้งหมดแล้ว โปรดดูรายละเอียดใน รูปที่ 2 หากมีรายการที่สูญหายหรือเสียหาย โปรดติดต่อผู้จำหน่ายเครื่องมือหรือตัวแทนจำหน่ายในพื้นที่

รูปที่ 2 ส่วนประกอบของผลิตภัณฑ์



1 DR 900	4 เซลล์ดวอย่างแก้ว 1 นิ้ว (25 มม.) แบบกลม เครื่องหมาย 10, 20, 25 มล. (2 ชั้น)
2 สาย USB ที่มีตัวเชื่อมต่อ USB ขนาดเล็ก	5 เซลล์ดวอย่าง 1 ซม./10 มล. (2 ชั้น)
3 แบตเตอรี่อัลคาไลน์ AA (4 ก้อน)	6 อะแดปเตอร์เซลล์ดวอย่าง

การติดตั้ง

⚠ คำเตือน



อันตรายหลายประการ ควรให้บุคลากรผู้เชี่ยวชาญเท่านั้นดำเนินการตามขั้นตอนที่ระบุในเอกสารส่วนนี้

หมายเหตุ

ตรวจสอบให้แน่ใจว่าไม่มีสิ่งกีดขวางช่องแบตเตอรี่ของเครื่องมือในระหว่างการใช้งานหรือการจัดเก็บ

การใส่แบตเตอรี่

⚠ คำเตือน



อันตรายจากการระเบิด การใส่แบตเตอรี่ไม่ถูกต้องอาจส่งผลให้เกิดการรั่วซึมของก๊าซที่ง่ายต่อการระเบิด ตรวจสอบให้แน่ใจว่าแบตเตอรี่ที่ซื้อ เป็นสารเคมีที่ได้รับการยอมรับประเภทเดียวกัน และใส่แบตเตอรี่ตรงตามขั้ว ห้ามใช้แบตเตอรี่ใหม่ร่วมกับแบตเตอรี่เก่า

⚠ คำเตือน



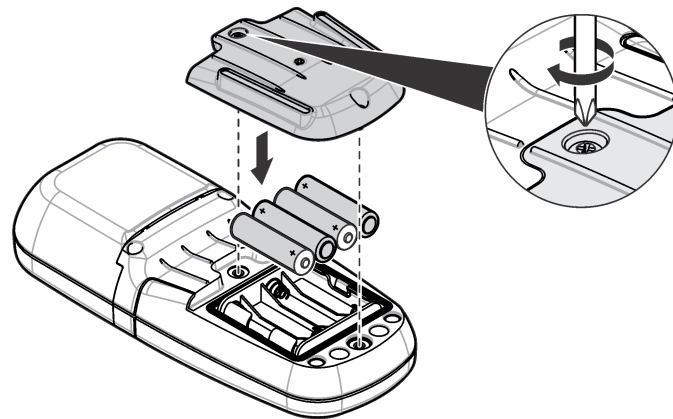
อันตรายจากไฟ ห้ามเปลี่ยนแบตเตอรี่ ใช้แต่แบตเตอรี่อัลคาไลน์เท่านั้น

หมายเหตุ

ให้แน่ใจว่าขันสกรูให้เป็น 1–1.4 N·m (9-12 นิ้ว-ปอนด์) เพื่อให้ความแน่นของซิลและเพื่อรักษาอัตราสภาพแวดล้อม

เครื่องมือชนิดนี้ใช้หลังจากแบตเตอรี่อัลคาไลน์ AA สักก้อน ตรวจสอบให้แน่ใจว่าได้ใส่แบตเตอรี่ถูกทิศทาง โปรดดูวิธีการใส่แบตเตอรี่ได้ที่ **รูปที่ 3**

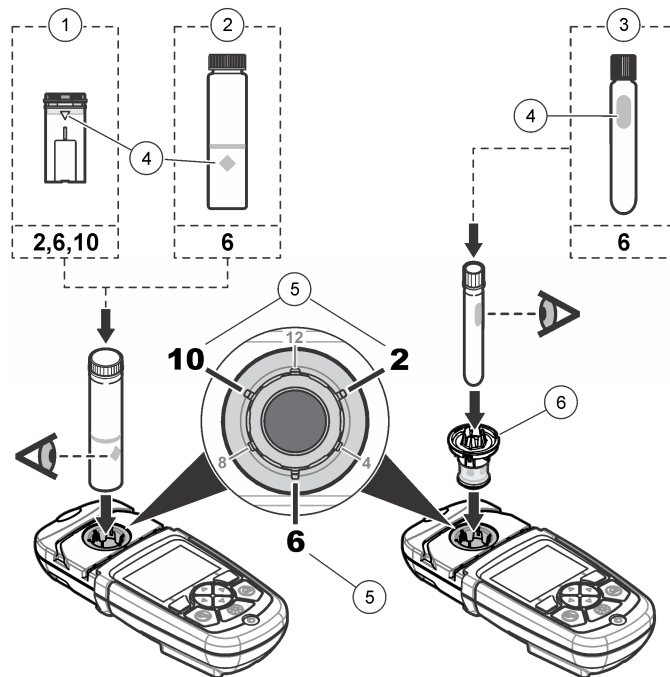
รูปที่ 3 การใส่แบตเตอรี่



ติดตั้งเซลล์ตัวอย่างและอะแดปเตอร์เซลล์

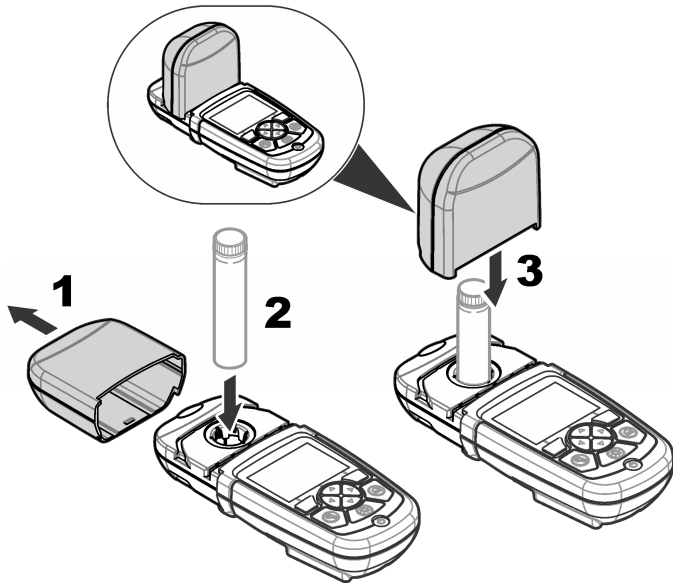
เครื่องมือชนิดนี้มีที่ใส่เซลล์หนึ่งตำแหน่งซึ่งสามารถใช้อะแดปเตอร์เพื่อใส่เซลล์ตัวอย่างชนิดต่างๆ ได้ ตรวจสอบให้แน่ใจว่าได้ใส่เซลล์ตัวอย่างในทิศทางที่ถูกต้องและสอดคล้องเพื่อให้ผลลัพธ์มีความแม่นยำ และตรงกัน โปรดดูรายละเอียดใน **รูปที่ 4** ปิดฝาปิดเครื่องมือก่อนที่จะตั้งค่าเครื่องมือเป็นศูนย์หรือทำการวัดผลเพื่อป้องกันแสงเข้าไปรบกวน โปรดดูรายละเอียดใน **รูปที่ 5**

รูปที่ 4 ทิศทางของเซลล์ตัวอย่าง



1 เซลล์ตัวอย่างพลาสติก 1 ซม./10 มล.	4 เครื่องหมายทิศทาง
2 เซลล์ตัวอย่างแก้ว 1 นิ้ว (25 มม.)	5 ตำแหน่งทิศทาง (ตามเข็มนาฬิกา)
3 ขวดแก้วทดสอบ 16 มม.	6 อะแดปเตอร์เซลล์ตัวอย่าง

รูปที่ 5 การติดตั้งเซลล์ตัวอย่างและฝาปิดเครื่องมือ

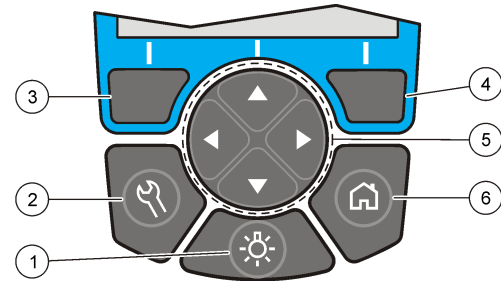


อินเทอร์เฟซผู้ใช้และโครงสร้างเมนู

คำอธิบายปุ่มกด

โปรดดูข้อมูลเกี่ยวกับการไปยังส่วนต่างๆ และรายละเอียดปุ่มกดได้ที่ [รูปที่ 6](#)

รูปที่ 6 คำอธิบายปุ่มกด



<p>1 ไฟพื้นหลัง: ตั้งว่าจะเปิดหรือปิดไฟหน้าจอหรือไม่</p>	<p>4 ปุ่มเลือกขวา (ตามบริบท): อ่านตัวอย่าง เลือกหรือยืนยันตัวเลือก เปิดเมนูย่อย</p>
<p>2 การตั้งค่า: ตัวเลือกการตั้งค่า¹</p>	<p>5 ปุ่มเลื่อน ขึ้น ลง ซ้าย ขวา: เลื่อนไปยังเมนูต่างๆ ใส่หมายเลขและตัวอักษร²</p>
<p>3 ปุ่มเลือกซ้าย (ตามบริบท): การเข้าถึงตัวเลือก การยกเลิกหรือออกจากหน้าจอเมนูปัจจุบันไปยังหน้าจอก่อนหน้านี้</p>	<p>6 หน้าหลัก/ตัวเลือก: ไปที่หน้าจอการอ่านหลัก¹ เลือกโปรแกรม การบริหารจัดการข้อมูล</p>

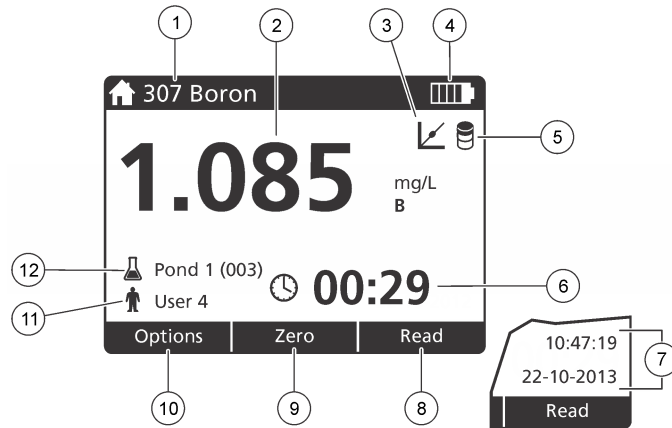
¹ ในระหว่างที่อยู่โหมดแก้ไข ปุ่มกดจะไม่ทำงาน

² เมื่อกดปุ่ม ขึ้น หรือ ลง ทั้ง จะเป็นการเลื่อนอย่างรวดเร็ว เมื่อกดปุ่ม ซ้าย หรือ ขวา จะเป็นการเลื่อนทีละหน้า

คำอธิบายจอแสดงผล

หน้าจอการอ่านแสดงโหมดที่เลือก หน่วย วันที่และเวลา ID ผู้ใช้ และ ID ตัวอย่าง โปรดดูรายละเอียดใน [รูปที่ 7](#)

รูปที่ 7 การแสดงผลแบบหน้าจอเดียว



1	ชื่อโปรแกรมและหมายเลข	7	วันที่และเวลา
2	การอ่านค่า, ยูนิต, รูปแบบทางเคมี ภายได้ "---" หรือเหนือช่วงการวัด "+++"	8	การอ่าน (ตามบริบท: เสร็จ เลือก เริ่ม ตกลง)
3	ไอคอนปรับมาตรฐาน	9	ศูนย์ (ตามบริบท: ปุ่มเลื่อนลูกกรงขึ้น)
4	สถานะแบตเตอรี่	10	ตัวเลือก (ตามบริบท: ถอยกลับ ยกเลิก)
5	ไอคอนพื้นที่ว่างเคมี	11	การระบุตัวตนผู้ปฏิบัติการ
6	ตัวจับเวลา	12	การระบุตัวตนตัวอย่าง

การเลื่อนไปยังตำแหน่งต่างๆ

เครื่องมือนี้มีเมนูเพื่อเปลี่ยนแปลงตัวเลือกต่างๆ ใช้ปุ่มเลื่อน (ลูกกรงขึ้น ลง ขวา และ ซ้าย) เพื่อไฮไลต์ตัวเลือกต่างๆ กดปุ่มเลือก ขวา เพื่อเลือกตัวเลือก ไฮไลต์ตัวเลือกด้วยปุ่มเลื่อน กดปุ่มเลื่อน (ลูกกรงขึ้น ลง ขวา และ ซ้าย) เพื่อใส่หรือเปลี่ยนค่า กดปุ่มลูกศร ขวา เพื่อไปยังที่ว่างถัดไป กดปุ่มตัวเลือก ขวา ใน เสร็จ เพื่อขอมรับค่า กดปุ่มเลือก ซ้าย เพื่อออกจากหน้าจอเมนูปัจจุบันไปยังหน้าจอหน้าก่อนหน้า

การเริ่มทำงาน

การเปิดหรือปิดเครื่องมือ

กดปุ่ม เปิด/ปิด เพื่อเปิดหรือปิด เครื่องมือ หากเครื่องมือไม่เปิด โปรดตรวจสอบให้แน่ใจว่าได้ใส่แบตเตอรี่อย่างถูกต้อง

การตั้งภาษา

มีตัวเลือกเพื่อการตั้งภาษาสองรายการ:

- ตั้งค่าการแสดงผลภาษาเมื่อใช้งานเครื่องมือเป็นครั้งแรก
- ตั้งค่าภาษาจากเมนูการตั้งค่า

1. กด การตั้งค่า>ตั้งค่า>ภาษา
2. เลือกภาษาจากรายการ

การตั้งค่าวันที่และเวลา

มีตัวเลือกสำหรับการตั้งวันที่และเวลาสองรายการ:

- ตั้งวันที่และเวลาเมื่อเปิดเครื่องมือเป็นครั้งแรก
- ตั้งค่าวันที่และเวลาจากเมนูวันที่และเวลา

1. กด การตั้งค่า>ตั้งค่า>วันที่และเวลา
2. กด รูปแบบวันที่ และเลือกรูปแบบสำหรับวันที่และเวลา
3. กด วันที่และเวลา
4. ใช้ปุ่มเลื่อนเพื่อใส่วันที่และเวลาปัจจุบัน และกด เสร็จ

การทำงานมาตรฐาน

รายการโปรแกรม

เครื่องมือนี้ใช้ชุดโปรแกรมแอปพลิเคชันให้มาด้วย โปรดดูรายละเอียดของโปรแกรมได้ที่ [ตาราง 1](#)

ตาราง 1 ตัวเลือกโปรแกรม

ตัวเลือกโปรแกรม	คำอธิบาย
โปรแกรมที่จัดเก็บไว้	โปรแกรมที่จัดเก็บไว้บนคลัดตั้งมาจากโรงงาน โปรดดูรายละเอียดใน เลือกโปรแกรมที่จัดเก็บไว้ ในหน้า 114
โปรแกรมของผู้ใช้	สามารถพัฒนาและบันทึกวิธีการเป็นโปรแกรมผู้ใช้ได้ ¹ โปรดดูรายละเอียดใน โปรแกรมของผู้ใช้ ในหน้า 116
รายการโปรด	สามารถบันทึกวิธีการที่ใช้บ่อยๆ ไว้ในรายการโปรดได้ ¹

¹ สามารถบันทึกวิธีการได้สูงสุดสิบรายการ (โปรแกรมผู้ใช้ และ/หรือ รายการโปรด)

เลือกโปรแกรมที่จัดเก็บไว้

- กด **หน้าหลัก**>**ตัวเลือก**>**โปรแกรมทั้งหมด**
- เลือกวิธีการแอปพลิเคชันและกด **เริ่ม**
- เลือก **ตัวเลือก**>**เพิ่มผู้รายการโปรด** เพื่อเพิ่มวิธีการที่เลือกเข้าสู่รายการโปรดเพื่อสามารถเข้าถึงได้อย่างรวดเร็ว

เลือกตัวเลือกโปรแกรมพื้นฐาน

เมื่อเลือกโปรแกรม ระบบจะแสดงตัวเลือกพารามิเตอร์เพิ่มเติม

- กด **ตัวเลือก** เพื่อเข้าถึงเมนูตัวเลือก

2. เลือกตัวเลือกที่ต้องการ

ตัวเลือก	คำอธิบาย
เริ่มตัวจับเวลา	เลือกตัวจับเวลาที่กำหนดไว้ก่อนหรือตั้งค่าตัวจับเวลาเองเพื่อให้แน่ใจว่าขั้นตอนต่างๆ ของการวิเคราะห์ขั้นมีระยะเวลาที่ถูกต้อง (เช่น สามารถกำหนดเวลาการทำปฏิกิริยาหรือเวลาการรอได้อย่างแม่นยำ) เมื่อเปิดตัวจับเวลา ระบบจะแสดงไอคอนตัวจับเวลาจะในจอแสดงผล เครื่องมือจะส่งเสียงเตือนเมื่อเวลาหมดลง ตัวจับแบบเวลาที่กำหนดไว้ก่อน - เลือกตัวจับเวลาที่กำหนดไว้ก่อนสำหรับขั้นตอนกระบวนการที่จัดเก็บไว้แล้วกด เริ่ม ตัวจับเวลาแบบกำหนดเอง - ใ้เวลาที่ต้องการโดยใช้ปุ่มเลื่อนแล้วกด เสร็จ คำเริ่มต้น = 00:00
รายการโปรด/โปรแกรมผู้ใช้	เลือกจากรายการ โปรดหรือรายการโปรแกรมผู้ใช้ที่จัดเก็บไว้ โปรดดูที่ เลือก รายการโปรดหรือโปรแกรมผู้ใช้ ในหน้า 116 สำหรับข้อมูลเพิ่มเติม
โปรแกรมทั้งหมด	เลือกวิธีการที่ตั้งโปรแกรมไว้ก่อนจากรายการ
บันทึกข้อมูล	แสดงการอ่านทั้งหมดที่จัดเก็บไว้ โปรดดูที่ บันทึกข้อมูล ในหน้า 116 สำหรับข้อมูลเพิ่มเติม
เพิ่มผู้รายการโปรด	บันทึกโปรแกรมที่จัดเก็บไว้และวิธีการ โปรแกรมผู้ใช้ซึ่งใช้งานบ่อยๆ ไว้ในรายการโปรด โปรดดูรายละเอียดใน เพิ่มโปรแกรมเป็นรายการโปรด ในหน้า 116
%T/Abs/Conc	สลับผู้ % การอ่านการส่งผ่าน การดูดซับ หรือความเข้มข้น การอ่านการส่งผ่าน (%) - อ่านเปอร์เซ็นต์ของแสงตั้งเดิมที่ผ่านตัวอย่างมาถึงตัวตรวจนับ การอ่านการดูดซับ - ระบบจะอ่านค่าการดูดซับแสงของตัวอย่างในหน่วยดูดซับ การอ่านความเข้มข้น - ค่าการดูดซับที่วัดได้จะถูกแปลงไปเป็นค่าความเข้มข้นด้วยสมการที่จัดเก็บไว้สำหรับโปรแกรม
ตัวเลือกขั้นสูง	ใช้ตัวเลือกขั้นสูงเพื่อกำหนดพารามิเตอร์เพิ่มเติม โปรดดูรายละเอียดใน เลือกตัวเลือกโปรแกรมขั้นสูง ในหน้า 114
Save	บันทึกการอ่านล่าสุดเองเมื่อตั้งค่าตัวเลือกการบันทึกอัตโนมัติเป็นปิด

เลือกตัวเลือกโปรแกรมขั้นสูง

โปรแกรมทุกโปรแกรมมีตัวเลือกขั้นสูงเพิ่มเติมให้สามารถเลือกได้

- กด **ตัวเลือก** เพื่อเข้าถึง **ตัวเลือก**>**ตัวเลือกขั้นสูง**
- ใช้ตัวเลือกขั้นสูงเพื่อกำหนดค่าพารามิเตอร์เพิ่มเติม

ตัวเลือก	คำอธิบาย
บันทึกอัตโนมัติ	สลับระหว่าง เปิด และ ปิด การอ่านทุกๆ รายการจะถูกบันทึกไว้เมื่อตั้งค่าตัวเลือกเป็นเปิด สามารถบันทึกการอ่านของเมื่อตั้งค่าตัวเลือกเป็น ปิด

ตัวเลือก	คำอธิบาย
รูปแบบเคมี	เลือกรูปแบบทางเคมีและช่วงการวัดผลที่เกี่ยวข้องของวิธีการที่คิดค้นมาจากโรงงาน
ช่องว่างสารเคมี	สามารถใช้การแก้ไขช่องว่างสารเคมีกับวิธีการที่คิดค้นมาจากโรงงานบางรายการได้ ใต้ผลลัพธ์ของการทดสอบที่เสร็จสิ้นแล้วโดยใช้น้ำปราศจากไอออนเป็นตัวอย่าง ระบบจะลบค่าว่างออกจากผลลัพธ์ทั้งหมดเพื่อแก้ไขพื้นที่หลังจากเกิดจากสารเคมี ใต้การแก้ไขค่าว่างก่อนใช้ตัวเลือกการปรับมาตรฐาน ทำการแก้ไขให้เสร็จสิ้นสำหรับสารเคมีทดสอบชุดใหม่แต่ละชุด
การปรับมาตรฐาน	เปลี่ยนการปรับเทียบที่จัดเก็บไว้ ทำการทดสอบด้วยมาตรฐานซึ่งเป็นที่รู้จักที่ความเข้มข้นใกล้เคียงกับระดับสูงสุดของช่วงการทดสอบ ใช้ฟังก์ชันนี้เพื่อปรับผลลัพธ์เพื่อปรับความหนาแน่นมาตรฐาน
จัดเรียงโปรแกรม	เลือกลำดับโปรแกรมตามตัวอักษรหรือตัวเลขเพื่อจัดเก็บในรายการ โปรแกรม

การใช้งาน ID ผู้ควบคุม

แท็ก ID ผู้ปฏิบัติการเชื่อมต่อการอ่านเข้ากับปฏิบัติการแต่ละราย ข้อมูลที่จัดเก็บไว้ทั้งหมดจะรวมไว้ใน ID นี้

1. กด **การตั้งค่า>ID ผู้ปฏิบัติการ** ในหน้าจอการอ่าน
2. **Select (เลือก), Create (สร้าง) หรือ Delete (ลบ) ID ผู้ควบคุม:**

ตัวเลือก	คำอธิบาย
Current ID	เลือก ID จากรายการ ID ปัจจุบันจะถูกเชื่อมต่อเข้ากับข้อมูลตัวอย่างจนกว่าจะมีการเลือก ID อื่นๆ
สร้าง ID ใหม่	บนชื่อสำหรับ ID ผู้ปฏิบัติการใหม่ สามารถใส่ชื่อได้สูงสุด 10 รายการ
ลบ ID	ลบ ID ผู้ปฏิบัติการที่มีอยู่

การใช้ ID ตัวอย่าง

ใช้แท็ก ID ตัวอย่างเพื่อเชื่อมต่อการอ่านเข้ากับตัวอย่างหรือตำแหน่งที่ต้องการ หากกำหนดไว้ ID จะถูกรวมอยู่ในข้อมูลที่จัดเก็บด้วย

1. กด **ตั้งค่า>ID ตัวอย่าง** ในหน้าจอการอ่าน

2. Select (เลือก), Create (สร้าง) หรือ Delete (ลบ) ID ผู้ควบคุม:

ตัวเลือก	คำอธิบาย
Current ID	เลือก ID จากรายการ ID ปัจจุบันจะถูกเชื่อมต่อเข้ากับข้อมูลตัวอย่างจนกว่าจะมีการเลือก ID อื่นๆ
สร้าง ID ใหม่	ป้อนชื่อสำหรับ ID ตัวอย่างใหม่ สามารถใส่ชื่อได้สูงสุด 10 รายการ ตัวอย่างจะได้รับการกำหนดตัวเลขตามลำดับของการวัดผลแต่ละครั้งจนกว่าจะมีการเลือก ID อื่นๆ (เช่น Pond 1, Pond 2)
ลบ ID	ลบ ID ตัวอย่างที่มีอยู่

วิธีการวัดผล

ต้องดำเนินการขั้นตอนการวัดผลพื้นฐานเพื่อวัดผล วิธีการทุกวิธีการจะมีกระบวนการแบบทีละขั้นตอน โปรดดูรายละเอียดของวิธีการที่ใช้เพื่อดำเนินการทดสอบ ตัวอย่างที่ใช้คือกระบวนการพื้นฐานในการวัดผล

1. เลือกโปรแกรมที่ต้องการจากเมนูโปรแกรม (เช่น โปรแกรมที่จัดเก็บไว้ โปรแกรมผู้ใช้ รายการโปรด)
2. คิดค้นตัวแปลงชุด หากจำเป็น
3. กดปุ่ม **Start** (เริ่มต้น) เพื่อเริ่มโปรแกรม
4. จัดเตรียมช่องว่างตามเอกสารวิธีการ ปิดชุดตัวอย่างและทำความสะอาดหน้าเลนส์ของชุดตัวอย่างด้วยผ้าที่ไม่มีขน
5. ใส่ชุดตัวอย่างว่างไว้ในที่ใส่ชุด ตรวจสอบให้แน่ใจว่าได้ใส่ชุดตัวอย่างว่างในทิศทางที่ถูกต้องและสอดคล้องเพื่อให้ผลลัพธ์มีความแม่นยำและตรงกัน โปรดดูรายละเอียดใน **รูปที่ 4** ในหน้า 111
6. ปิดฝาปิดเครื่องมือเพื่อป้องกันไม่ให้แสงเข้าไปรบกวน โปรดดูรายละเอียดใน **รูปที่ 5** ในหน้า 112
7. กด **ศูนย์** จอแสดงผลจะแสดงความเป็นศูนย์ (เช่น mg/L, ABS, µg/L)
8. เตรียมตัวอย่าง เพิ่มเคมีตามที่ระบุไว้ในเอกสารวิธีการ
9. เลือก **ตัวเลือก>ตัวจับเวลาเริ่มต้น** เพื่อใช้ตัวจับเวลาที่จัดเก็บไว้ในโปรแกรม
10. ปิดชุดตัวอย่างและทำความสะอาดพื้นผิวเลนส์ของชุดตัวอย่างที่ไม่มีขน
11. ใส่ตัวอย่างไว้ในที่ใส่ชุด ตรวจสอบให้แน่ใจว่าได้ใส่ชุดตัวอย่างในทิศทางที่ถูกต้องและสอดคล้องเพื่อให้ผลลัพธ์มีความแม่นยำและตรงกัน โปรดดูรายละเอียดใน **รูปที่ 4** ในหน้า 111
12. ปิดฝาปิดเครื่องมือเพื่อป้องกันไม่ให้แสงเข้าไปรบกวน โปรดดูรายละเอียดใน **รูปที่ 5** ในหน้า 112

13. กด **อ่าน** จอแสดงผลจะแสดงผลเป็นหน่วยที่เลือก

บันทึก: หน้าจอจะแสดงผล "+++ "หรือ "--" หากความคลาดเคลื่อนน้อยหรือมากกว่าช่วงการเปรียบเทียบของรายการทดสอบ

บันทึกข้อมูล

บันทึกข้อมูลจะแสดงการอ่านที่บันทึกไว้ทั้งหมด กด **หน้าหลัก>ตัวเลือก>บันทึกข้อมูล** เพื่อดูการอ่านโปรดดูที่ **ส่งออกบันทึกข้อมูล** ในหน้า 118 สำหรับข้อมูลเกี่ยวกับการส่งออกบันทึกข้อมูล

การปฏิบัติการขั้นสูง

เลือกรายการโปรดหรือโปรแกรมผู้ใช้

ฐานข้อมูลรายการโปรดและโปรแกรมผู้ใช้จะไม่มีข้อมูลอยู่เมื่อเริ่มใช้งานเครื่องมือเป็นครั้งแรก สามารถบันทึกวิธีการในรายการโปรดได้เพื่อสามารถเข้าถึงได้อย่างรวดเร็ว สามารถตั้งโปรแกรมผู้ใช้เพื่อการใช้งานตามความต้องการได้

1. กด **HOME (หน้าหลัก)>Options (ตัวเลือก)>Favorites/User Programs** รายการโปรด/โปรแกรมผู้ใช้>**Select (เลือก)**
2. กด โปรแกรมใหม่ เพื่อสร้างโปรแกรมผู้ใช้ใหม่ โปรดดูรายละเอียดใน **โปรแกรมของผู้ใช้** ในหน้า 116

เพิ่มโปรแกรมเป็นรายการโปรด

สามารถบันทึกโปรแกรมที่จัดเก็บไว้และวิธีการ โปรแกรมผู้ใช้ซึ่งใช้งานบ่อยๆ ในรายการโปรดได้

1. เลือก **HOME (หน้าหลัก) >Options (ตัวเลือก)>All Programs (โปรแกรมทั้งหมด)**
2. เลือกวิธีการแอปพลิเคชันและกด **เริ่ม**
3. เลือก **Options (ตัวเลือก)>Add to Favorites (เพิ่มสู่รายการโปรด)** เพื่อเพิ่มวิธีการที่เลือกเข้าสู่รายการโปรด

โปรแกรมของผู้ใช้

ฐานข้อมูลโปรแกรมผู้ใช้จะไม่มีข้อมูลอยู่เมื่อเริ่มใช้งานเครื่องมือเป็นครั้งแรก ใช้ **โปรแกรมใหม่** เพื่อสร้างโปรแกรมใหม่ตามความต้องการ หากต้องการสร้างโปรแกรมผู้ใช้ใหม่ โปรดดำเนินการตามขั้นตอนดังต่อไปนี้

1. กด **HOME (หน้าหลัก)>Options (ตัวเลือก)>Favorites/User Programs** รายการโปรด/โปรแกรมผู้ใช้>**Select (เลือก)>New Program (โปรแกรมใหม่)**
2. เลือกหมายเลขโปรแกรมที่มีจาก 1001 ถึง 1010
บันทึก: สามารถบันทึกโปรแกรมได้สูงสุดสิบรายการ (โปรแกรมผู้ใช้ และ/หรือ รายการโปรด)
3. ใส่ชื่อวิธีการ (สูงสุด 12 ตัวอักษร)
4. เลือกความยาวคลื่น: 420, 520, 560, หรือ 610 มม.
5. เลือกหน่วย: ไม่มี, µg/L, mg/L หรือ g/L
6. เลือกความละเอียด: 0000, 000.0, 00.00 หรือ 0.000
7. เพิ่มจุดการตรวจเทียบ: จุดการตรวจเทียบต่ำสุด 2 และสูงสุด 12 จุด* เลือกแก้ไข Std 1 และใส่ค่าความเข้มข้นมาตรฐานค่าแรก กด **เสร็จ**
บันทึก: สิ่งนี้หมายถึงความเข้มข้นนั้นซ้ำกับมาตรฐานที่เคยใส่หรือความเข้มข้นสูงเกินไปสำหรับความละเอียดที่เลือก ใส่ค่าอื่นและดำเนินการต่อ
8. ใส่ค่าการคูณ:

ตัวเลือก	คำอธิบาย
แก้ไข ABS เอง	ใช้ปุ่มเลื่อนเพื่อใส่ค่าการคูณ
แก้ไข ABS อัตโนมัติ	<ol style="list-style-type: none">1. ใส่ช่องว่างเข้าสู่ที่ขีดเซดและกด ศูนย์2. ใส่ตัวอย่างที่จัดเตรียมไว้เข้าสู่ที่ขีดเซดแล้วกด อ่าน3. กด เสร็จ

บันทึก: สิ่งนี้หมายถึงการคูณนั้นซ้ำกับมาตรฐานที่เคยใส่ หรืออยู่ระหว่างสองมาตรฐานที่เคยใส่ ใส่ค่าอื่นและดำเนินการต่อ

9. กด **เสร็จ**
10. เลือกเพิ่มจุดการปรับเทียบ

* หากเส้นโค้งนั้นเป็นเส้นตรง จะจำเป็นต้องมีจุดเชื่อมต่อข้อมูลเพียงสองจุดเท่านั้น (ตัวอย่างเช่น มาตรฐานพร้อมด้วยจุดคูณเป็นศูนย์และมาตรฐานที่ทราบอื่นๆ) ใช้จุดข้อมูลเพิ่มเติมเพื่ออินตันเส้นตรงหรือกำหนดเส้นโค้งที่ไม่ได้เป็นเชิงเส้น

11. ใส่จุดการเปรียบเทียบเพิ่มเติมตามที่อธิบายไว้ในขั้นตอนที่ 7-9

12. เลือก **บันทึกโปรแกรมผู้ใช้**

แก้ไขโปรแกรมผู้ใช้

วิธีการแก้ไขโปรแกรมผู้ใช้ที่จัดเก็บไว้:

1. เลือก**หน้าหลัก>รายการโปรด/โปรแกรมผู้ใช้**
2. เลือกโปรแกรมที่ต้องการแล้วกด **ตัวเลือก**
3. กด **แก้ไข**
4. ปฏิบัติตามคำแนะนำการแก้ไขที่หน้าจอ

ลบโปรแกรมผู้ใช้หรือโปรแกรมโปรด

ลบโปรแกรมผู้ใช้หรือโปรแกรมโปรดที่จัดเก็บไว้หากไม่ได้ใช้โปรแกรมดังกล่าวอีกต่อไป

1. เลือก**หน้าหลัก>ตัวเลือก>รายการโปรด>โปรแกรมผู้ใช้**
2. ไอคอนโปรแกรมที่ต้องการแล้วกด **ตัวเลือก>ลบ** แล้วปฏิบัติตามคำแนะนำบนหน้าจอ

ข้อมูลเกี่ยวกับเครื่องมือ

เมนูข้อมูลเกี่ยวกับเครื่องมือจะแสดงข้อมูลต่างๆ เช่น ชื่อ หมายเลขซีเรียล เวอร์ชันซอฟต์แวร์ หน่วยความจำที่ใช้ และการใช้งานได้ของโปรแกรมของเครื่องมือ กด **การตั้งค่า>การตั้งค่า>ข้อมูลเครื่องมือ**

การตั้งรหัสผ่าน

ตัวเลือกการตั้งรหัสผ่านนั้นใช้เพื่อป้องกันการเข้าถึงเมนูต้องห้าม

บันทึก: หากผู้ใช้ลืมรหัสผ่านที่ตั้งไว้และตั้งค่าตัวเลือกความปลอดภัยเป็นเปิด ผู้ปฏิบัติงานจะไม่สามารถเข้าถึงเมนูต้องห้ามได้ ติดต่อการสนับสนุนทางเทคนิคหากลืมรหัสผ่าน

1. กด **การตั้งค่า>ตั้งค่า>การตั้งค่ารหัสผ่าน**
2. เลือก**ตัวเลือก**

ตัวเลือก	คำอธิบาย
การตั้งรหัสผ่าน	เลือก เปิด หรือ ปิด เพื่อตั้งค่าการเปิดหรือปิดการปกป้องด้วยรหัสผ่าน
รายการที่ปกป้อง	แสดงรายการที่ปกป้อง: แก้ไข ID ผู้ปฏิบัติงาน แก้ไข ID ตัวอย่าง แก้ไขโปรแกรมผู้ใช้ วันที่และเวลา การอัปเดตเฟิร์มแวร์ วิธีการอัปเดต ภาษา และการแก้ไขรายการโปรด

ตั้งค่าการแสดงผลและเสียง

ใช้ตัวเลือกการแสดงผลเพื่อเปลี่ยนแปลงคอนทราสต์ของหน้าจอแสดงผล ตัวเลือกการปิดแบดเคอร์รี่อัตโนมัติ หรือตัวเลือกแสงพื้นหลัง ใช้ตัวเลือกเสียงสำหรับเสียงเตือนเมื่อกดปุ่มหรือเมื่อการอ่านเสร็จสิ้น

1. กด **การตั้งค่า>ตั้งค่า>การแสดงผลและเสียง>ตัวเลือกการแสดงผล**
2. เลือก**ตัวเลือก**

ตัวเลือก	คำอธิบาย
คอนทราสต์	ปรับค่าคอนทราสต์ของแสดงผล. ค่าที่สว่างที่สุดคือ 0 และค่าที่มืดที่สุดคือ 9 ค่าเริ่มต้น: 5
การปิดอัตโนมัติ	เพื่อเพิ่มเวลาการใช้งานแบดเคอร์รี่สูงสุด ผู้ใช้สามารถกำหนดระยะเวลาที่เครื่องมือจะปิดอัตโนมัติหากไม่มีการกดปุ่ม (5, 10, 15, 20, 30 นาที 1 ชั่วโมง 2 ชั่วโมง หรือปิดการใช้งาน) ค่าเริ่มต้น: 10 นาที
แสงพื้นหลัง	สามารถตั้งค่าแสงพื้นหลังของหน้าจอได้เมื่อกด แสงพื้นหลัง กำหนดระยะเวลาที่เครื่องมือจะปิดแสงพื้นหลังโดยอัตโนมัติหากไม่มีการกดปุ่ม (10, 20, 30 วินาที 1, 2, 5, 10 นาที หรือปิดการใช้งาน) ค่าเริ่มต้น: 1 นาที

3. กด **การตั้งค่า>ตั้งค่า>การแสดงผลและเสียง>เสียง**
4. เลือก**ตัวเลือก**

ตัวเลือก	คำอธิบาย
การกดปุ่ม	เครื่องมือจะส่งเสียงเมื่อกดปุ่ม ค่าเริ่มต้น: ปิด
การอ่านเสร็จสิ้น	เครื่องมือจะส่งเสียงเมื่อการอ่านเสร็จสิ้น ค่าเริ่มต้น: เปิด

เมนูหลัก USB

เมื่อเชื่อมต่อเครื่องมือเข้ากับคอมพิวเตอร์โดยใช้สาย USB ระบบจะแสดงเมนูหลัก USB อีแคดซอฟต์แวร์ ส่งออกหรือนำเข้าโปรแกรม หรือส่งออกบันทึกข้อมูลหรือบันทึกกิจกรรมจากเมนูหลัก USB

อัปเดตเฟิร์มแวร์

ค้นหาไฟล์การอัปเดตเฟิร์มแวร์ในเว็บไซต์ของผลิตภัณฑ์หรือติดต่อผู้จำหน่ายเครื่องมือ บันทึกไฟล์จากเว็บไซต์ไว้ในคอมพิวเตอร์

1. เปิดเครื่องมือและเชื่อมต่อสาย USB เข้ากับเครื่องมือและคอมพิวเตอร์

การแจ้งเตือนเมนูหลัก USB

2. เลือก **อัปเดต DR900**
เครื่องมือจะแสดงเป็นไคร์ฟ USB ในคอมพิวเตอร์ เปิดโฟลเดอร์
3. คัดลอกไฟล์ DR900.bin ไปยังโฟลเดอร์ที่เปิดอยู่
4. กด ตกลง
5. เมื่อการอัปเดตเสร็จสิ้น ให้คลิก ตกลง
6. เลือก **เลิกเชื่อมต่อ USB** กด ตกลง และถอดสาย USB
7. กด ตกลง
8. ปิดแล้วเปิดเครื่องมือใหม่

การจัดการโครงการ

ด้วยฟังก์ชันการจัดการโครงการ จะสามารถส่งออกและ/หรือนำเข้าโปรแกรมผู้ใช้และสามารถนำเข้าโครงการโรงงานใหม่ได้

1. เปิดเครื่องมือและเชื่อมต่อสาย USB เข้ากับเครื่องมือและคอมพิวเตอร์
การแจ้งเตือนเมนูหลัก USB
2. เลือก การจัดการโปรแกรม และเลือกตัวเลือก:

ตัวเลือก	คำอธิบาย
ส่งออกโปรแกรมผู้ใช้	ส่งออกโปรแกรมผู้ใช้ทั้งหมดเข้าสู่คอมพิวเตอร์เพื่อจัดเก็บ หรือเพื่อย้ายโปรแกรมไปยัง DR 900 อื่นๆ
นำเข้าโปรแกรมผู้ใช้	แทนที่โปรแกรมผู้ใช้ทั้งหมดด้วยโปรแกรมผู้ใช้จาก DR 900 อื่นๆ ผ่านทางคอมพิวเตอร์
นำเข้าโปรแกรมโรงงาน	นำเข้าโปรแกรมโรงงานใหม่จากเซิร์ฟเวอร์ของผู้ผลิต

เครื่องมือจะแสดงเป็นไคร์ฟ USB ในคอมพิวเตอร์ เปิดโฟลเดอร์


3. คัดลอกไฟล์ที่ส่งออกจากไคร์ฟไปยังคอมพิวเตอร์ หรือคัดลอกไฟล์ที่นำเข้าจากคอมพิวเตอร์ไปยังไคร์ฟ
4. กด ตกลง
5. เมื่อโอนถ่ายเสร็จแล้ว ให้เลือก **เลิกเชื่อมต่อ USB** แล้วถอดสาย USB
6. กด ตกลง

ส่งออกบันทึกข้อมูล

สามารถส่งออกบันทึกกิจกรรมและบันทึกข้อมูลไปยังเครื่องคอมพิวเตอร์ได้ บันทึกกิจกรรมจะมีวันที่ เวลา หมายเลขกิจกรรม พารามิเตอร์และรายละเอียดการปรับแต่งการกระทำที่เกี่ยวข้อง สามารถจัดเก็บการวัดผลตัวอย่างไว้ในบันทึกข้อมูลได้เองหรือโดยอัตโนมัติ โปรดดูรายละเอียดใน **เลือกตัวเลือกโปรแกรมขั้นสูง** ในหน้า 114

1. เปิดเครื่องมือและเชื่อมต่อสาย USB เข้ากับเครื่องมือและคอมพิวเตอร์
การแจ้งเตือนเมนูหลัก USB
2. เลือก **ส่งออกบันทึกข้อมูล**
เครื่องมือจะแสดงเป็นไคร์ฟ USB ในคอมพิวเตอร์ เปิดโฟลเดอร์
3. คัดลอกและบันทึกไฟล์การส่งออก (DR900_DataLog.csv and DR900_EventLog.csv) ไปยังคอมพิวเตอร์
4. กด ตกลง
5. เมื่อคัดลอกไฟล์ลงในคอมพิวเตอร์ ให้เลือก **เลิกเชื่อมต่อ USB** แล้วถอดสาย USB
6. กด ตกลง



การดูแลรักษา


⚠ คำเตือน	
	อันตรายหลายประการ ควรให้บุคลากรผู้เชี่ยวชาญเท่านั้นดำเนินการตามขั้นตอนที่ระบุในเอกสารส่วนนี้

การทำความสะอาดอุปกรณ์

ทำความสะอาดภายนอกของอุปกรณ์ด้วยผ้าชุบน้ำหมาดๆ และสบู่อ่อนๆ แล้วเช็ดอุปกรณ์ให้แห้ง

ทำความสะอาดเซลล์ตัวอย่าง

⚠ ข้อควรระวัง	
 	อาจได้รับอันตรายจากการสัมผัสสารเคมี ปฏิบัติตามขั้นตอนเพื่อความปลอดภัยในห้องปฏิบัติการ และสวมใส่อุปกรณ์ป้องกันทั้งหมด ให้เหมาะสมในการดำเนินงานกับสารเคมีนั้นๆ โปรดดูกฎระเบียบด้านความปลอดภัยได้ที่เอกสารข้อมูลด้านความปลอดภัยฉบับปัจจุบัน (MSDS/SDS)

⚠ ข้อควรระวัง	
	อาจได้รับอันตรายจากการสัมผัสสารเคมี การกำจัดสารเคมีและของเสียตามกฎข้อบังคับของท้องถิ่น ภูมิภาค และประเทศ


ใช้ผงซักฟอกสำหรับห้องปฏิบัติการส่วนใหญ่ด้วยความเข้มข้นที่กำหนด เมื่อต้องทำความสะอาดบ่อยๆ การใช้ผงซักฟอกที่มีค่าเป็นกลาง เช่น **Liquinox** จะปลอดภัยกว่า เพื่อประหยัดเวลาในการทำ ความสะอาด ให้เพิ่มอุณหภูมิหรือใช้การอาบอัลตราโซนิก เมื่อทำความสะอาดเสร็จ ให้ล้างด้วยน้ำปราศจากไอออนสองสามครั้งแล้วล้างตามเซลล์ตัวอย่างให้แห้ง


สามารถใช้กรดทำความสะอาดเซลล์ตัวอย่างแล้วล้างด้วยน้ำปราศจากไอออนให้สะอาดได้ด้วย

บันทึก: ใช้กรดทำความสะอาดตัวอย่างเสมอเมื่อใช้กับการทดสอบโลหะระดับต่ำ

กระบวนการต่างๆ จะต้องมีวิธีการทำความสะอาดที่เหมาะสมของตัวเอง เมื่อใช้ปรอทเพื่อทำความสะอาดเซลล์ตัวอย่าง ให้ใช้ความระมัดระวังเป็นพิเศษเพื่อหลีกเลี่ยงรอยขีดข่วนด้านในเซลล์ตัวอย่าง

การเปลี่ยนแบตเตอรี่

⚠ คำเตือน	
	อันตรายจากการระเบิด แบตเตอรี่ที่หมดอายุแล้วอาจทำให้เกิดก๊าซไฮโดรเจนขึ้นในอุปกรณ์ เปลี่ยนแบตเตอรี่ก่อนที่จะหมดอายุ และห้ามเก็บอุปกรณ์ที่ใส่แบตเตอรี่ไว้เป็นเวลานาน

⚠ คำเตือน	
	อันตรายจากไฟ ห้ามเปลี่ยนแบตเตอรี่ ใช้แต่แบตเตอรี่อัลคาไลน์เท่านั้น

หมายเหตุ

ให้แน่ใจว่าขันสกรูให้เป็น 1–1.4 N·m (9–12 นิ้ว-ปอนด์) เพื่อแก้ไขความแน่นของซีลและเพื่อรักษาอัตราสภาพแวดล้อม

โปรดดูวิธีการเปลี่ยนแบตเตอรี่ที่ [การใส่แบตเตอรี่](#) ในหน้า 110

การแก้ไขปัญหา

รหัสข้อผิดพลาด	สาเหตุที่เป็นไปได้	แนวทางแก้ไขปัญหา
1	ไม่ได้กำหนดค่าเครื่องมือ	ติดต่อการสนับสนุนทางเทคนิค
2	ไม่สามารถอ่านข้อมูลโปรแกรมได้	
3	ไม่สามารถเขียนข้อมูลโปรแกรมได้	
4	แบตเตอรี่ผิดพลาด	เปลี่ยนแบตเตอรี่
5	A/D ผิดพลาดในระหว่างการวัดผล	ติดต่อการสนับสนุนทางเทคนิค
6	ความแตกต่างผิดพลาดในระหว่างการวัดผล	ตรวจสอบให้แน่ใจว่าได้ติดตั้งฝาเครื่องมืออย่างถูกต้อง
7	เกิดความคิดพลาดแสงต่ำในระหว่างการวัดผล	<ul style="list-style-type: none"> ตรวจสอบให้แน่ใจว่าไม่มีกริดขวางเส้นทางแสง ศูนย์อุณหภูมิของเครื่องมือ ติดต่อการสนับสนุนทางเทคนิค
8	เกิดความคิดพลาดเกินช่วงในระหว่างการวัดผล อาจมีการกีดขวางแสงหรือความเข้มข้นสูงเกินไป	<ul style="list-style-type: none"> ตรวจสอบให้แน่ใจว่าไม่มีกริดขวางทางเดินแสงและความเข้มข้นไม่สูงเกินไปสำหรับโปรแกรม ตรวจสอบให้แน่ใจว่าได้ติดตั้งฝาเครื่องมืออย่างถูกต้อง ติดต่อการสนับสนุนทางเทคนิค

อะไหล่ทดแทนและอุปกรณ์เสริม

⚠ คำเตือน



อันตรายต่อการบาดเจ็บของบุคคล การใช้ชิ้นส่วนที่ไม่ได้รับการอนุญาตอาจทำให้เกิดการบาดเจ็บของบุคคล ความเสียหายของเครื่องมือ หรือการทำงานผิดพลาดของอุปกรณ์ ชิ้นส่วนทดแทนในชิ้นนี้ได้รับการรับรองโดยผู้ผลิต

บันทึก: หมายเลขผลิตภัณฑ์และส่วนประกอบอาจแตกต่างกันไปตามภูมิภาคที่จัดจำหน่าย ติดต่อตัวแทนจำหน่ายหรือไปที่เว็บไซต์ของบริษัทเพื่อดูข้อมูลการติดต่อ

ชิ้นส่วนอะไหล่

คำอธิบาย	หมายเลขสินค้า
ชุดประกอบอะแดปเตอร์, COD	4846400
ชุดแบตเตอรี่ แบตเตอรี่อัลคาไลน์ AA (4 ก้อน)	1938004
ชุดตัวอย่างพร้อมสว่านผ่าเปิด, 25 x 95 มม., 10-20-25 มล. (6 ชิ้น)	2401906
ชุดตัวอย่างพร้อมสว่านผ่าเปิด, 1 ซม./10 มล. (2 ชิ้น)	4864302
สาย USB	LZV818

อุปกรณ์เสริม

คำอธิบาย	หมายเลขสินค้า
ผ่าเปิด ชุดตัวอย่าง สำหรับชุด 25 x 95 มม.	2401812
กระเป๋าลือ ด้านข้างแข็ง	4942500
กระเป๋าลือ ด้านข้างอ่อนพร้อมสายสะพายบ่า	2722000
กระเป๋าลือ แล็บพกพา	4943000
มาตรฐานความถูกต้อง DR/Check™	2763900
ผ่าเปิดเครื่องมือ, DR 900	9390500

HACH COMPANY World Headquarters

P.O. Box 389, Loveland, CO 80539-0389 U.S.A.

Tel. (970) 669-3050

(800) 227-4224 (U.S.A. only)

Fax (970) 669-2932

orders@hach.com

www.hach.com

HACH LANGE GMBH

Willstätterstraße 11

D-40549 Düsseldorf, Germany

Tel. +49 (0) 2 11 52 88-320

Fax +49 (0) 2 11 52 88-210

info@hach-lange.de

www.hach-lange.de

HACH LANGE Sàrl

6, route de Compois

1222 Vézenaz

SWITZERLAND

Tel. +41 22 594 6400

Fax +41 22 594 6499

